

Product data sheet

Subminiature connectors

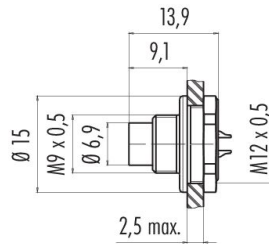


Product description	M9 Male panel mount connector, Contacts: 4, unshielded, solder, IP67
Area	series 712
Part no.	09 0411 00 04

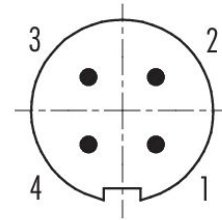
Illustration



Scale drawing



Contact arrangement (Plug-in side)



You can find the component part drawing and assembly instructions on the next page.

Technical data

General features

Part no.	09 0411 00 04
Connector design	Male panel mount connector
Version	Connector pin straight
Connector locking system	screw
Termination	solder
Degree of protection	IP67
Cross-sectional area	0.25 mm ² / AWG 24
Temperature range from/to	-40 °C / 85 °C
Mechanical operation	> 500 Mating cycles
Weight (g)	5.32
Customs tariff number	85369010
Country of Origin	DE

Electrical parameters

Rated voltage	125 V
Rated impulse voltage	1500 V
Rated current	3,0 A
Insulation resistance	≥ 10 ¹⁰ Ω
Pollution degree	1
Overtoltage category	II
Insulating material group	III
EMC compliance	unshielded

Material

Housing material	CuZn (Brass nickel plated)
------------------	----------------------------

Product data sheet

Subminiature connectors



Product description **M9 Male panel mount connector, Contacts: 4, unshielded, solder, IP67**

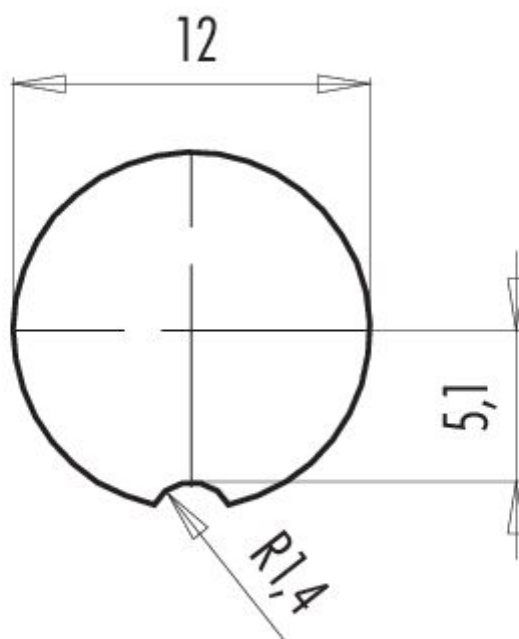
Area **series 712**
Part no. **09 0411 00 04**

Contact body material	PA (UL94 V-0)
Contact material	CuZn (brass)
Contact plating	Au (gold)
REACH SVHC	CAS 7439-92-1 (Lead)
SCIP number	9e19bcf2-c6b9-44e0-9236-04b758743f8d

Classifications

eCl@ss 11.1	27-44-01-09
ETIM 9.0	EC003569

Assembly instructions / Panel cut-out

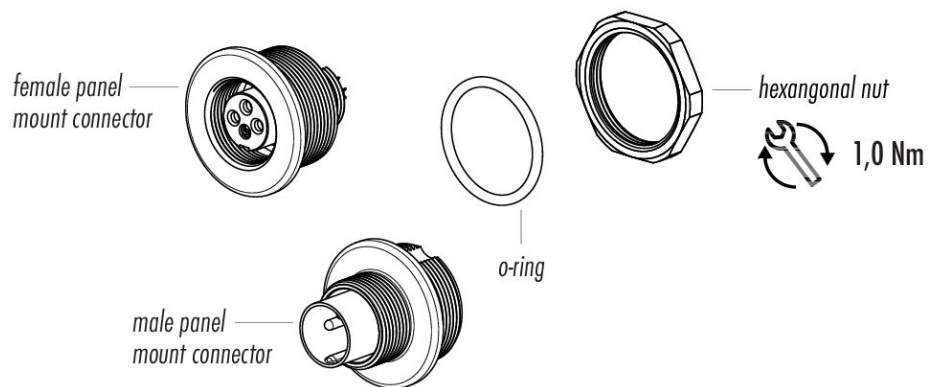


Product data sheet
Subminiature connectors

Product description **M9 Male panel mount connector, Contacts: 4, unshielded, solder, IP67**

Area **series 712**
Part no. **09 0411 00 04**

Component part drawing



Product description	M9 Male panel mount connector, Contacts: 4, unshielded, solder, IP67
Area	series 712
Part no.	09 0411 00 04

Security notices

The connector must not be plugged or unplugged under load. Non-observance and improper use can result in personal injury.

The connectors have been developed for applications in plant engineering, control and electrical equipment construction. The user is responsible for checking whether the connectors can also be used in other areas of application.

Plug connectors with enclosure protection IP67 and IP68 are not suitable for use under water. When used outdoors, the plug connectors must be protected separately against corrosion. For further information on the IP protection classes, please refer to the "Technical Information" download centre.