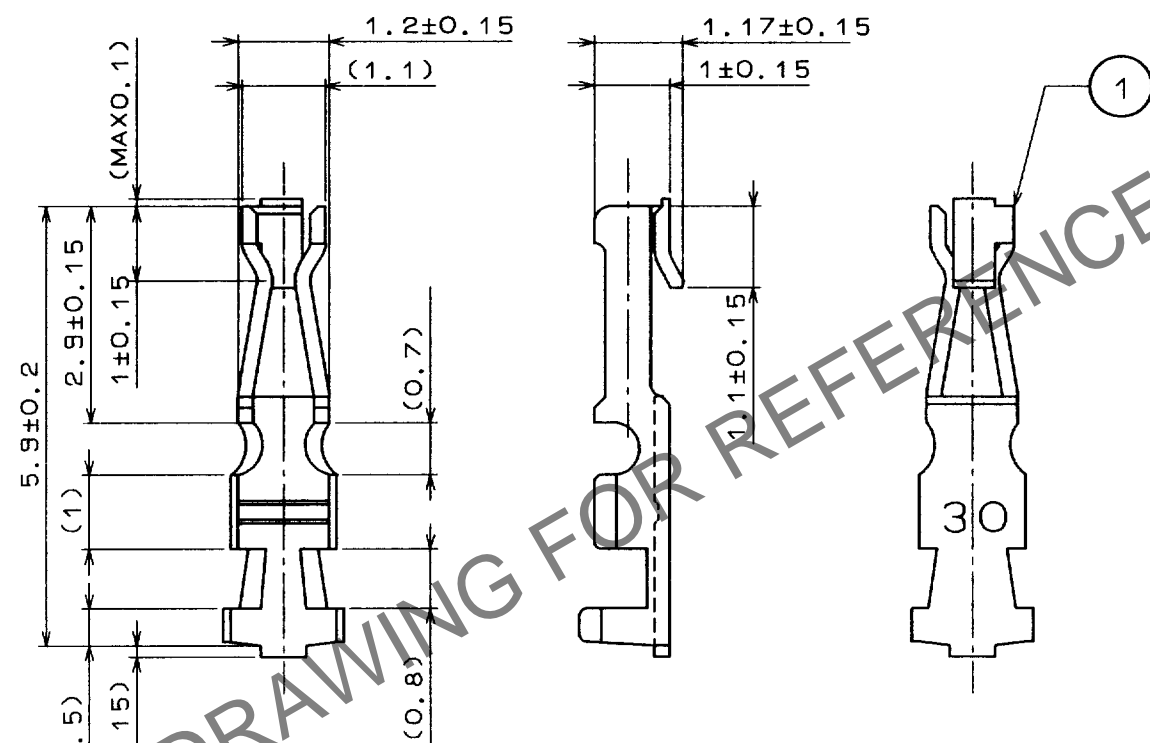


Jul.1.2024 Copyright 2024 HIROSE ELECTRIC CO., LTD. All Rights Reserved.  
 In case of consideration for using Automotive equipment / device which demand high reliability, kindly contact our sales window correspondents.

| 1     |                          | 2  |      |      | 3     |                          |    | 4    |      |  |
|-------|--------------------------|----|------|------|-------|--------------------------|----|------|------|--|
| COUNT | DESCRIPTION OF REVISIONS | BY | CHKD | DATE | COUNT | DESCRIPTION OF REVISIONS | BY | CHKD | DATE |  |
| △     |                          |    |      | ..   | △     |                          |    |      | ..   |  |
| △     |                          |    |      | ..   | △     |                          |    |      | ..   |  |
| △     |                          |    |      | ..   | △     |                          |    |      | ..   |  |



NOTE ① CONTACT AREA: GOLD PLATED OVER NICKEL  
 THE OTHER: NICKEL PLATED

| 1   | PHOSPHOR BRONZE | ①               |     |          |                 |
|-----|-----------------|-----------------|-----|----------|-----------------|
| NO. | MATERIAL        | FINISH, REMARKS | NO. | MATERIAL | FINISH, REMARKS |

|                |           |           |          |              |          |
|----------------|-----------|-----------|----------|--------------|----------|
| CODE NO. (OLD) | DRAWN     | DESIGNED  | CHECKED  | APPROVED     | RELEASED |
|                | J. Sakuda | J. Sakuda | H. Okawa | M. Yamaguchi |          |
|                | 97.10.03  | 97.10.03  | 97.10.03 | 97.10.03     |          |

|   |              |             |
|---|--------------|-------------|
| SCALE<br>10 : 1<br>UNITS<br>mm          | DRAWING NO.  | PART NO.    |
|   | EDC4-021389  | A3B-2630SCC |
| <b>HRS</b><br>HIROSE ELECTRIC CO., LTD. | CODE NO.     |             |
|   | CL621-0302-0 | 1/1         |

|    |
|----|
| TO |
|    |
|    |
|    |

