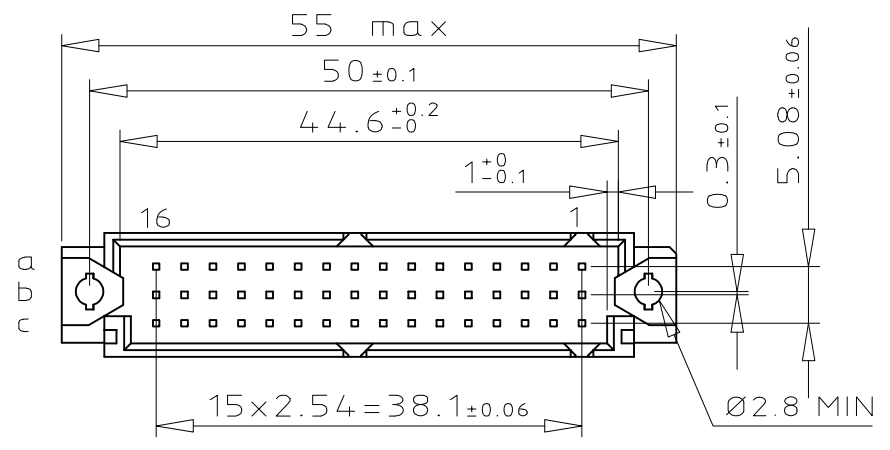
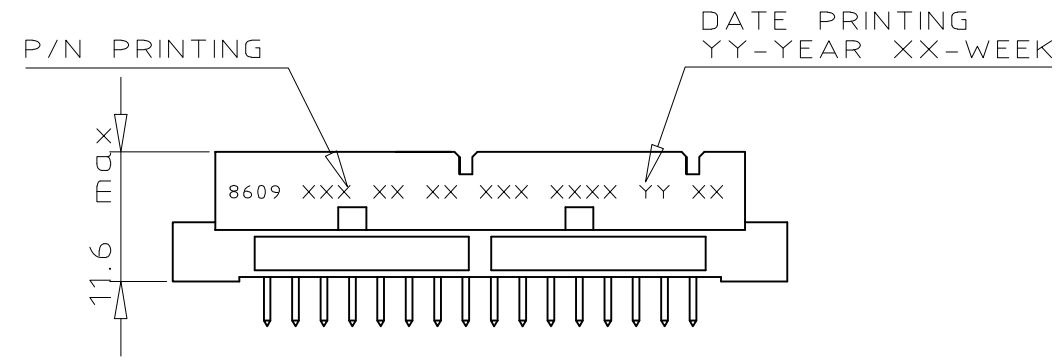
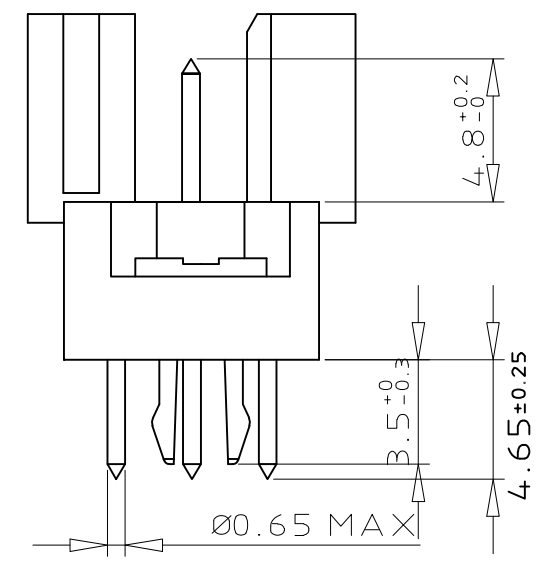


DIMENSIONS



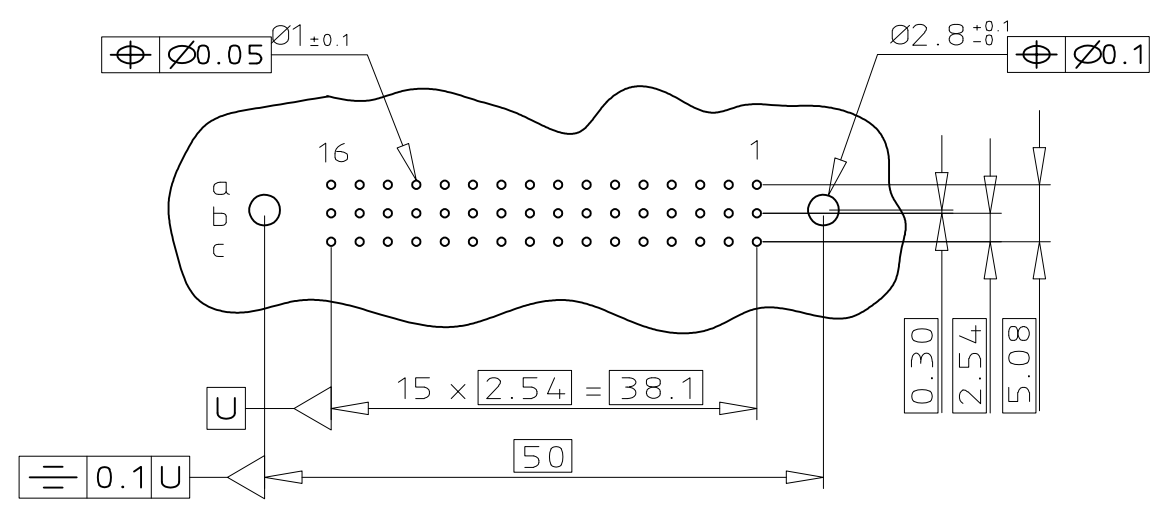
TERMINATION



ORDERING INFORMATION

SERIES	8609	3	48	7	6	14	7	4	5	ELF
ROWS FITTED WITH CONTACTS										
ROW a b c				3	48					
ROW a - c				4	32					
NO. OF CONTACTS										
TYPE OF INSULATOR										
3 ROW MALE INSULATOR				7						
METHOD OF MOUNTING										
REVERSE MOUNTING - STYLE R/2				6						
TERMINATION										
STRAIGHT SPILL				14						
OPTIONS										
NO OPTION				7						
WITH HARPOONS				H						
PERFORMANCE CLASS										
DIN 41612 CLASS 3				4						
DIN 41612 CLASS 2				5						
DIN 41612 CLASS 1				6						
AS PER MIL C 55302 / JSS 50808				8						
PITCH PER ROW										
2.54 mm				5						
LEAD FREE VERSION				ELF						

PCB LAYOUT



GENERAL CHARACTERISTICS & RoHS INFO

REFER DRAWING C-8609-0000A

mat'l. code		surface		tolerance		projection		product family	
SEE DWG C-8609-0000A		ISO 1302 ✓		ISO 406 ISO 1101				8609	
ltr		ecn no		dr		date		title	
A		104-0063		MINI		2004-09-17		DIN REVERSE HEADER	
B		105-0042		MINI		2005-05-19		DIN 41612 STYLE R/2	
C		106-0061		MINI		2006-05-31		scale 3:2	
D		108-0146		KR		2008-10-21		dwg no	
E		ELX-I-31455		MJA		2018-10-06		sheet 1 of 1	
								size	
								A3	
								type Product Customer Drawing	
sheet index		revision sheet		E		1			

Amphenol FCI

Copyright AFCI

Mouser Electronics

Authorized Distributor

Click to View Pricing, Inventory, Delivery & Lifecycle Information:

[FCI / Amphenol:](#)

[86093487614745ELF](#) [86093487614755ELF](#) [86093487614H55ELF](#) [86094327614755ELF](#) [86093487614765ELF](#)
[86094327614785ELF](#) [86094327614H55ELF](#) [86094327614745ELF](#)