

F-MS-T1/T2 50 ST - Type 1/2 surge protection plug



2800191

<https://www.phoenixcontact.com/us/products/2800191>

Please be informed that the data shown in this PDF document is generated from our online catalog. Please find the complete data in the user documentation. Our general terms of use for downloads are valid.

N-PE replacement plug for VAL-MS-T1/T2 335/12.5 plug-in lighting/surge arrester.



Your advantages

- Quality proven millions of times over in the widest range of applications
- Rapid installation with bridges, thanks to industry-standard overall width of 1 HP
- Easy testing and insulation measurement, thanks to pluggable protection modules

Commercial data

| | |
|--------------------------------------|--------------------|
| Item number | 2800191 |
| Packing unit | 10 pc |
| Minimum order quantity | 1 pc |
| Sales key | CL18 |
| Product key | CL1151 |
| Catalog page | Page 46 (C-4-2019) |
| GTIN | 4046356518628 |
| Weight per piece (including packing) | 77.9 g |
| Weight per piece (excluding packing) | 77.9 g |
| Customs tariff number | 85363030 |
| Country of origin | DE |

F-MS-T1/T2 50 ST - Type 1/2 surge protection plug

2800191

<https://www.phoenixcontact.com/us/products/2800191>

Technical data

Product properties

| | |
|--------------------------------|---|
| Product type | Replacement plug |
| Product family | VALVETRAB MS |
| IEC test classification | I / II |
| | T1 / T2 |
| | T1 |
| EN type | T1 / T2 |
| | T1 |
| IEC power supply system | TN-S |
| | TT |
| Type | DIN rail module, two-section, divisible |
| Number of positions | 1 |
| Surge protection fault message | optical |

Data management status

| | |
|------------------|----|
| Article revision | 05 |
|------------------|----|

Insulation characteristics

| | |
|----------------------|-----|
| Overvoltage category | III |
| Pollution degree | 2 |

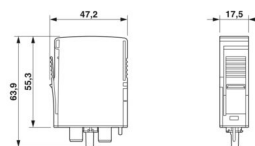
Electrical properties

| | |
|-------------------------|---------------|
| Nominal frequency f_N | 50 Hz (60 Hz) |
|-------------------------|---------------|

Connection data

| | |
|-------------------|-----------|
| Connection method | pluggable |
|-------------------|-----------|

Dimensions

| | |
|---------------------|--|
| Dimensional drawing |  |
| Width | 17.7 mm |
| Height | 47 mm |
| Depth | 67.3 mm |
| Horizontal pitch | 1 Div. |

Material specifications

| | |
|--|------------------|
| Color | black (RAL 9005) |
| Flammability rating according to UL 94 | V-0 |
| CTI value of material | 600 |

F-MS-T1/T2 50 ST - Type 1/2 surge protection plug



2800191

<https://www.phoenixcontact.com/us/products/2800191>

| | |
|---------------------|------------|
| Insulating material | PA 6.6/PBT |
| Material group | I |
| Housing material | PA 6.6 |
| | PBT |

Protective circuit

| | |
|---|-------------------------------------|
| Mode of protection | N-PE |
| Direction of action | N-PE |
| Nominal voltage U_N | 240/415 V AC (TN-S) |
| | 240/415 V AC (TT) |
| Nominal frequency f_N | 50 Hz (60 Hz) |
| Maximum continuous voltage U_C | 264 V AC |
| Residual current I_{PE} | $\leq 5 \mu A$ |
| Standby power consumption P_C | $\leq 1.30 \text{ mVA}$ |
| Nominal discharge current I_n (8/20) μs | 50 kA |
| Maximum discharge current I_{max} (8/20) μs | 50 kA |
| Impulse discharge current (10/350) μs , charge | 25 As |
| Impulse discharge current (10/350) μs , specific energy | 625 kJ/ Ω |
| Impulse discharge current (10/350) μs , peak value I_{imp} | 50 kA |
| Follow current interrupt rating I_{fi} | 100 A (264 V AC) |
| Voltage protection level U_p | $\leq 1.7 \text{ kV}$ |
| Residual voltage U_{res} | $\leq 0.6 \text{ kV}$ (at I_n) |
| | $\leq 0.5 \text{ kV}$ (at 10 kA) |
| | $\leq 0.5 \text{ kV}$ (at 5 kA) |
| | $\leq 0.4 \text{ kV}$ (at 3 kA) |
| Front of wave sparkover voltage at 6 kV (1.2/50) μs | $\leq 1.7 \text{ kV}$ |
| TOV behavior at U_T | 1200 V AC (200 ms / withstand mode) |
| Response time t_A | $\leq 100 \text{ ns}$ |

Environmental and real-life conditions

Ambient conditions

| | |
|---|---|
| Degree of protection | IP20 |
| Ambient temperature (operation) | -40 °C ... 80 °C |
| Ambient temperature (storage/transport) | -40 °C ... 80 °C |
| Altitude | $\leq 2000 \text{ m}$ (amsl) |
| Permissible humidity (operation) | 5 % ... 95 % |
| Shock (operation) | 30g (Half-sine / 11 ms / 3x $\pm X$, $\pm Y$, $\pm Z$) |
| Vibration (operation) | 7.5g (10 ... 500 Hz / 2.5 h / X, Y, Z) |

Approvals

UL specifications

| | |
|---|----------|
| Maximum continuous operating voltage MCOV (N-G) | 264 V AC |
| Nominal discharge current I_n (N-G) | 20 kA |

F-MS-T1/T2 50 ST - Type 1/2 surge protection plug



2800191

<https://www.phoenixcontact.com/us/products/2800191>

| | |
|-------------------------------------|--------------|
| Mode of protection | N-G |
| Power distribution system | Single phase |
| Nominal frequency | 50/60 Hz |
| Measured limiting voltage MLV (N-G) | 2600 V |
| SPD Type | 4CA |

Standards and regulations

| | |
|--------------------------|--------------|
| Standards/specifications | IEC 61643-11 |
| Note | 2011 |

EN 61643-11

| | |
|--------------------------|-------------|
| Standards/specifications | EN 61643-11 |
| Note | 2012 |

Mounting

| | |
|---------------|-----------------|
| Mounting type | on base element |
|---------------|-----------------|

F-MS-T1/T2 50 ST - Type 1/2 surge protection plug

2800191

<https://www.phoenixcontact.com/us/products/2800191>

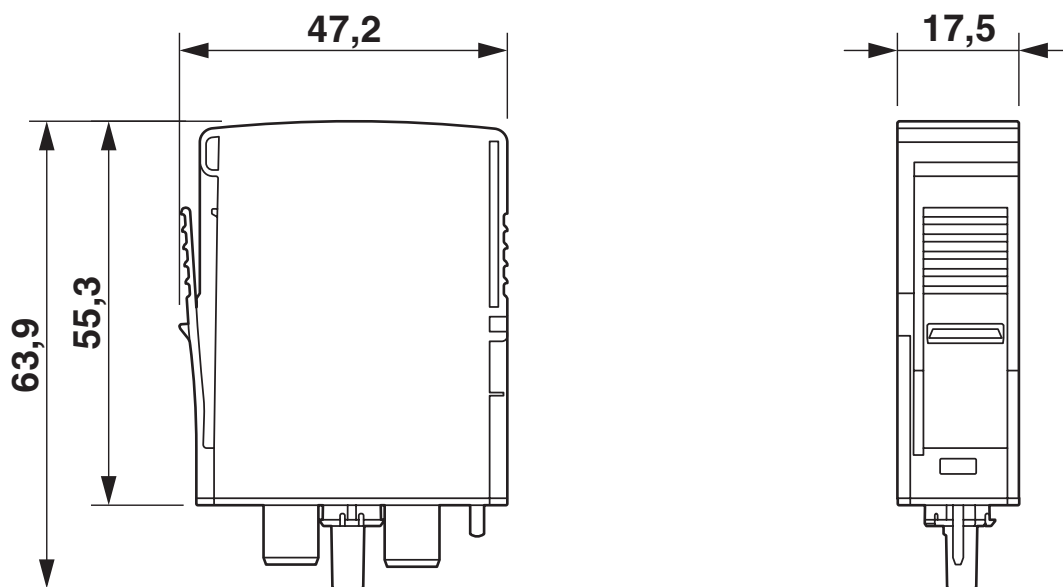


Drawings

Circuit diagram



Dimensional drawing



F-MS-T1/T2 50 ST - Type 1/2 surge protection plug



2800191

<https://www.phoenixcontact.com/us/products/2800191>

Approvals

To download certificates, visit the product detail page: <https://www.phoenixcontact.com/us/products/2800191>



cUL Recognized
Approval ID: FILE E 330181



UL Recognized
Approval ID: FILE E 330181



IECEE CB Scheme
Approval ID: AT 2584



EAC
Approval ID: RU C-DE.*09.B.00169

CCA

Approval ID: NTR-AT 1906



KEMA-KEUR
Approval ID: 2162496-01



DNV GL
Approval ID: TAE00001N9



ÖVE
Approval ID: 18583-009-09

cULus Recognized

F-MS-T1/T2 50 ST - Type 1/2 surge protection plug



2800191

<https://www.phoenixcontact.com/us/products/2800191>

Classifications

ECLASS

| | |
|-------------|----------|
| ECLASS-11.0 | 27130890 |
| ECLASS-13.0 | 27171292 |

ETIM

| | |
|----------|----------|
| ETIM 9.0 | EC002496 |
|----------|----------|

UNSPSC

| | |
|-------------|----------|
| UNSPSC 21.0 | 39121600 |
|-------------|----------|

F-MS-T1/T2 50 ST - Type 1/2 surge protection plug



2800191

<https://www.phoenixcontact.com/us/products/2800191>

Environmental product compliance

EU RoHS

| | |
|---|--------------------|
| Fulfills EU RoHS substance requirements | Yes, No exemptions |
|---|--------------------|

China RoHS

| | |
|--|--|
| Environment friendly use period (EFUP) | EFUP-E |
| | No hazardous substances above the limits |

EU REACH SVHC

| | |
|-------------------------------------|----------------------------|
| REACH candidate substance (CAS No.) | No substance above 0.1 wt% |
|-------------------------------------|----------------------------|

Phoenix Contact 2024 © - all rights reserved
<https://www.phoenixcontact.com>

Phoenix Contact USA
586 Fulling Mill Road
Middletown, PA 17057, United States
(+717) 944-1300
info@phoenixcon.com