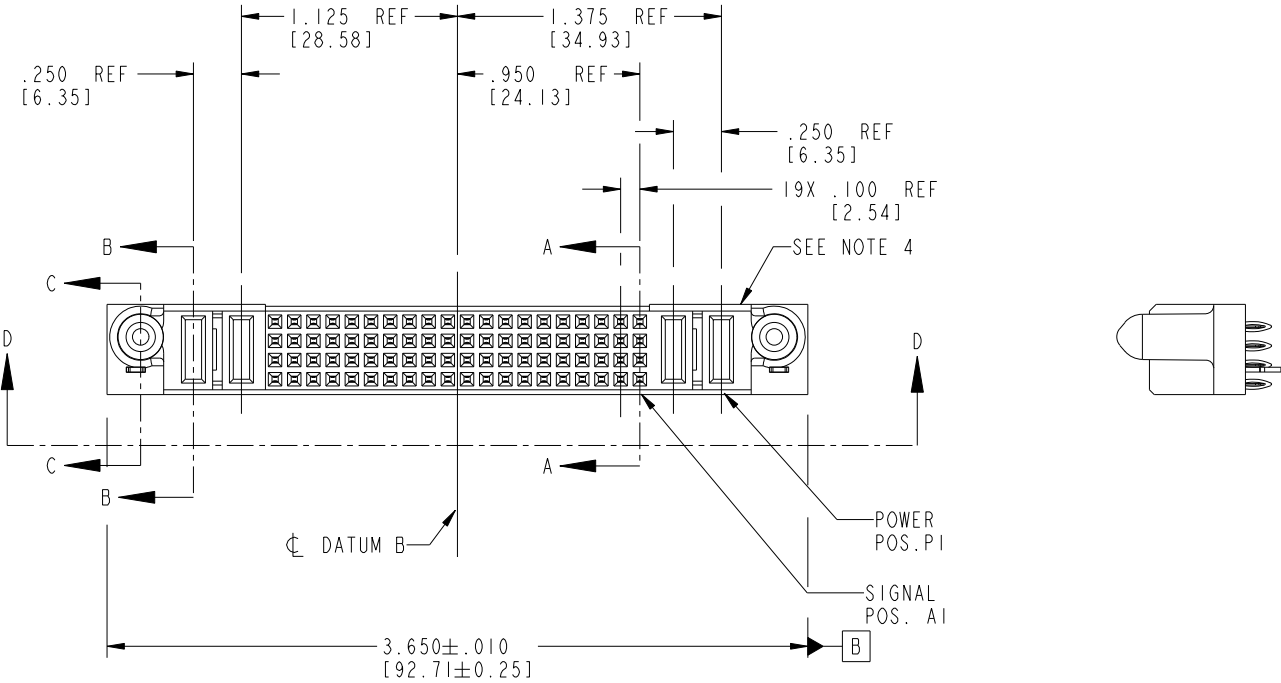




PRODUCT NO. 51750-052-- NOTE: 3	ROWS D C B A	POWER		SIGNAL																		POWER		E1	
		E2	P4	P3	20	19	18	17	16	15	14	13	12	11	10	9	8	7	6	5	4	3	2		1



CODE	DIM "M" MATING LENGTH	[ ]	[ ]	CONTACT TYPE
F	N/A	[N/A]		SIGNAL
PC	.042	[1.07]		POWER
PF	.092	[2.34]		POWER
HA	N/A	[N/A]		HOLD-DOWN

mat'l code		SEE NOTE 2			tolerances unless otherwise specified		CUSTOMER		<a href="http://www.fciconnect.com">www.fciconnect.com</a>	
ltr	ecn no.	dr	date	linear	.XX ± .01/0.X ± 0.3	COPY		title 2P + 80S + 2P VERTICAL PRESS-FIT RECEPTACLE		
A	V03-1039	DAI	09/16/03		.XXX ± .005/0.XX ± 0.13	projection				
B	DG08-0251	W D	09/16/08	angles	.XXX ± .0020/0.XXX ± 0.051	INCH/MM		product family PwrBlade code 213 size dwg no A 51750-052 sheet 1 of 4		
				dr	D. INGRAM 09/16/03	scale 1:1				
				enrg	M. MOSTOLLER 09/16/03					
				chr	M. MOSTOLLER 09/16/03					
				appd	M. MOSTOLLER 09/16/03					
sheet index	revision sheet	B 1	B 2	B 3	B 4					

B

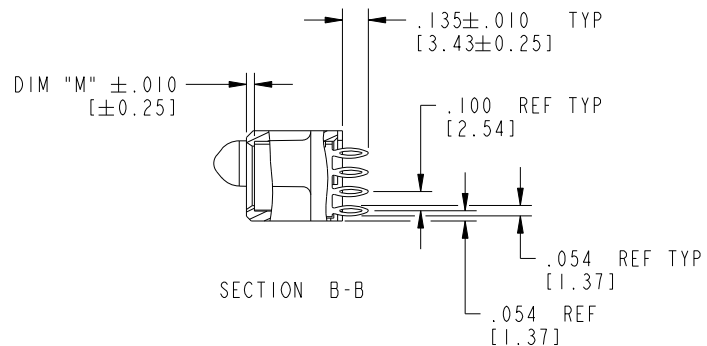
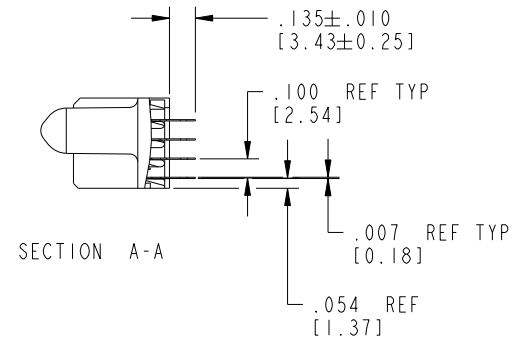
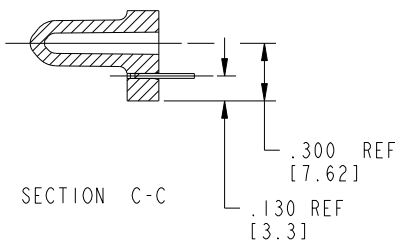
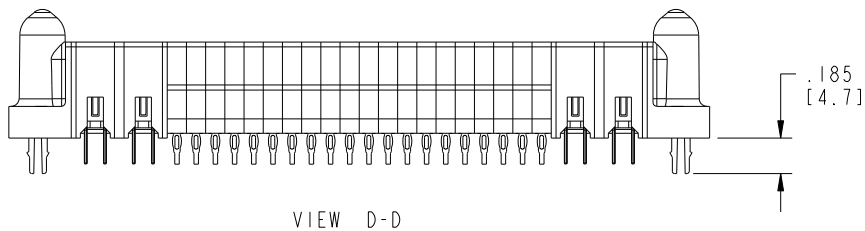
B

Tous droits strictement réservés. Reproduction ou communication a des tiers interdite sous quelque forme que ce soit sans autorisation écrite du propriétaire. Propriété de c FCI. Droits de reproduction FCI.

All rights strictly reserved. Reproduction or issue to third parties in any form whatever is not permitted without written authority from the proprietor. Property of FCI. Copyright FCI.



PRODUCT NUMBER  
51750-052\_\_



mat'l code		SEE NOTE 2		tolerances unless otherwise specified		CUSTOMER		 www.fciconnect.com	
ltr	ecn no.	dr	date	linear	.XX±.01/0.X±0.3	projection	title		
B					.XX±.005/0.XX±0.13	 INCH/MM	2P + 80S + 2P		
				angles	.XXX±.0020/0.XXX±0.051		VERTICAL PRESS-FIT RECEPTACLE		
				dr	D. INGRAM 09/16/03	scale	product family	PwrBlade	code
				enr	M. MOSTOLLER 09/16/03	1:1	size	dwg no	213
				chr	M. MOSTOLLER 09/16/03		A	51750-052	sheet
				appd	M. MOSTOLLER 09/16/03				2
sheet index	revision sheet								

Pro/E

PDM: Rev: B

STATUS: Released

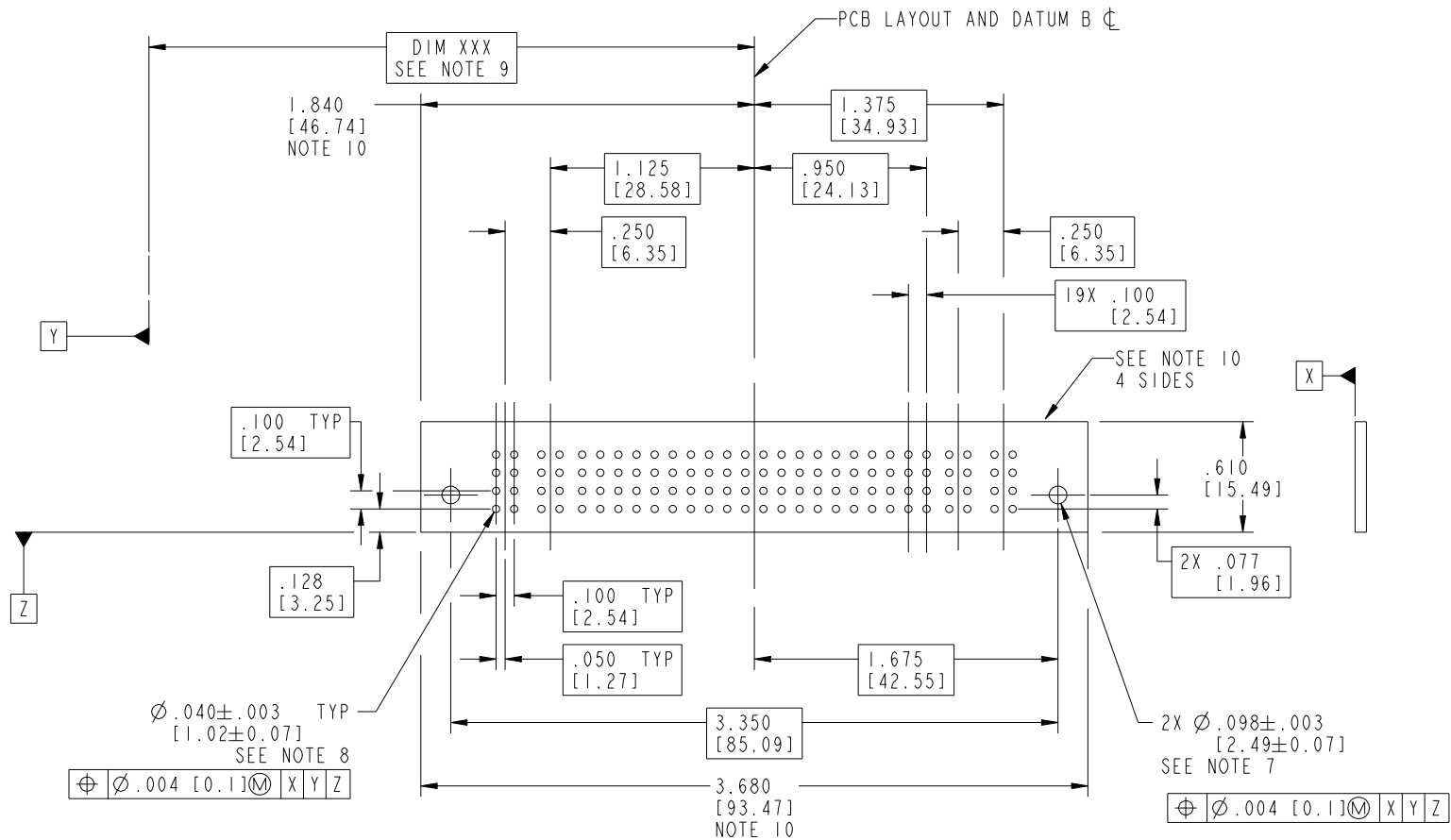
Printed: Dec 20, 2010

Tous droits strictement réservés. Reproduction ou communication a des tiers interdite sous quelque forme que ce soit sans autorisation écrite du propriétaire. Propriété de c FCI. Droits de reproduction FCI.

All rights strictly reserved. Reproduction or issue to third parties in any form whatever is not permitted without written authority from the proprietor. Property of FCI. Copyright FCI.



PRODUCT NUMBER  
51750-052\_\_



RECOMMENDED PCB LAYOUT

mat'l code		SEE NOTE 2		tolerances unless otherwise specified		CUSTOMER		FCI	
lfr	ecn no.	dr	date	linear	.XX±.01/0.X±0.3	projection	www.fciconnect.com		
B				angles	.XXY±.005/0.XX±0.13	INCH/MM	title 2P + 80S + 2P		
				dr	.XXX±.002/0.XXX±0.051	scale	VERTICAL PRESS-FIT RECEPTACLE		
				enr	0° ± 2°	1:1	product family PwrBlade		code 213
				chr	D. INGRAM 09/16/03		size 51750-052		sheet 3
				appd	M. MOSTOLLER 09/16/03				
					M. MOSTOLLER 09/16/03				
sheet index	revision sheet								

Pro/E

PDM: Rev: B

STATUS: Released

Printed: Dec 20, 2010

cage code 28536

PRODUCT NUMBER  
51750-052\_\_

NOTES:

1. DIMENSIONS AND TOLERANCES ARE IN ACCORDANCE WITH ASME Y14.5M, 1994 UNLESS OTHERWISE SPECIFIED.

CONNECTOR NOTES:

2. HOUSING MATERIAL: UL 94 V-0 GLASS FILLED HIGH-TEMP THERMOPLASTIC  
POWER CONTACT MATERIAL: COPPER ALLOY  
SIGNAL PIN MATERIAL: COPPER ALLOY

3. SEE ITEM 7 & 8 IN PRINT 10064183 FOR PLATING SPEC OF 51750-052 AND 51750-052LF RESPECTIVELY.

4. MANUFACTURER'S NAME, P/N, AND DATE CODE TO APPEAR ON THIS SURFACE.

5. PRODUCT SPECIFICATION GS-12-149.

PCB NOTES:

6. ALL HOLE DIAMETERS ARE FINISHED HOLE SIZE.

7. MOUNTING HOLES, WHERE APPLICABLE, ARE UNPLATED.

8.  $\varnothing .0453 \pm 0.0010$  [1.151  $\pm$  0.025] DRILLED HOLES PLATED WITH  
0.0003 [0.008] MIN SnPb OVER .001 [0.03]  
TO .003 [0.08] Cu PLATING TO ACHIEVE  
 $\varnothing .040 \pm .003$  [1.02  $\pm$  .07] HOLE.

9. "DIM XXX" TO BE DETERMINED BY THE CUSTOMER.

10. CONNECTOR KEEP-OUT ZONE.

11. A  $\Delta$  B SYMBOL WILL BE NEXT TO ANY DIMENSION, VIEW, OR NOTE WHICH HAS BEEN MODIFIED WITH THE CURRENT DRAWING REVISION.

mat'l code		SEE NOTE 2		tolerances unless otherwise specified		CUSTOMER		FCJ	
ltr	ecn no.	dr	date	linear	.XX $\pm$ .01 / 0.X $\pm$ 0.3	COPY		www.fciconnect.com	
B				projection	.XXX $\pm$ .005 / 0.XX $\pm$ 0.13	INCH/MM		title	
				angles	.XXX $\pm$ .0020 / 0.XXX $\pm$ 0.051	1:1		2P + 80S + 2P	
				dr	D. INGRAM 09/16/03	scale		VERTICAL PRESS-FIT RECEPTACLE	
				enrg	M. MOSTOLLER 09/16/03	A		product family	
				chr	M. MOSTOLLER 09/16/03	A		PwrBlade	
				appd	M. MOSTOLLER 09/16/03	A		code	
sheet index		revision sheet				A		213	
						A		sheet	
						A		4	

Tous droits strictement réservés. Reproduction ou communication a des tiers interdite sous quelque forme que ce soit sans autorisation écrite du propriétaire. Propriété de c FCI. Droits de reproduction FCI.



All rights strictly reserved. Reproduction or issue to third parties in any form whatever is not permitted without written authority from the proprietor. Property of FCI. Copyright FCI.

A

A

B

B

# Mouser Electronics

Authorized Distributor

Click to View Pricing, Inventory, Delivery & Lifecycle Information:

[FCI / Amphenol:](#)

[51750-052LF](#)