



# RJ45 AND USB 2.0 Contacts, Tools, and Accessories



## 440-135 EMI/RFI, Rotatable Coupling, Shrink Boot Band Adapter for Series 801, 804 and 805 Mighty Mouse



**Band-Master ATS® Band  
Microband 601-061**  
See Page M-7



**Add a boot or overmold  
for environmental protection**  
(Shown without boot)

These thread-on adapters are used with **Band-Master ATS® Micro Band** shield termination straps. Choose the smallest cable entry for your wire bundle. **Straight Entry** adapters are available in various lengths. **Straight, 45°** and **90°** adapters feature rotatable coupling nuts.



**Band-Master ATS®  
Micro Band Tool  
601-101**  
See Page M-7

Series 80 Mighty Mouse

### How To Order

<b>Sample Part Number</b>	<b>440MS135</b>	<b>M</b>	<b>08</b>	<b>07</b>	<b>-7</b>	<b>K</b>
<b>Series (See Table I)</b>	<b>440MS135</b> = Straight Entry <b>440MK135</b> = 45° Entry <b>440ML135</b> = 90° Entry					
<b>Shell Material and Finish</b>	<b>UCR</b> = Aluminum/Zinc Cobalt Black <b>M</b> = Aluminum/Electroless Nickel <b>NF</b> = Aluminum/Cadmium with Olive Drab <b>ZNU</b> = Aluminum/Zinc-Nickel with Black Chromate <b>MT</b> = Aluminum/Nickel-PTFE <b>Z1</b> = Stainless Steel/Passivated					
<b>Shell Size Code</b>	<b>08, 14, 16</b> (See Dimensions Table)					
<b>Dash No.</b>	<b>04, 05, 06, 07</b> (See Dash No. Table)					
<b>Length</b>	Applies to symbol "S", straight only Length in .125 (3.18mm) inch increments (i.e. 7 = .875 inches)					
<b>Band Option</b>	<b>K</b> = Pre-coiled Band Supplied (601-061) <b>B</b> = Band Supplied (601-060) <b>Omit</b> for no band supplied					

**Table I: Cover Style**

<b>440MS135</b> Straight Entry	<b>440MK135</b> 45° Entry	<b>440ML135</b> 90° Entry

### NOTES

- Standard Minimum Length is .75. applies to symbol "S" straight only.
- Material and Finish
  - Band: 300 series SST
  - O-ring: silicone elastomer

M



RJ45 AND USB 2.0

# Contacts, Tools, and Accessories



## 440-135 EMI/RFI, Rotatable Coupling, Shrink Boot Band Adapter for Series 801, 804 and 805 Mighty Mouse

Series 80 Mighty Mouse

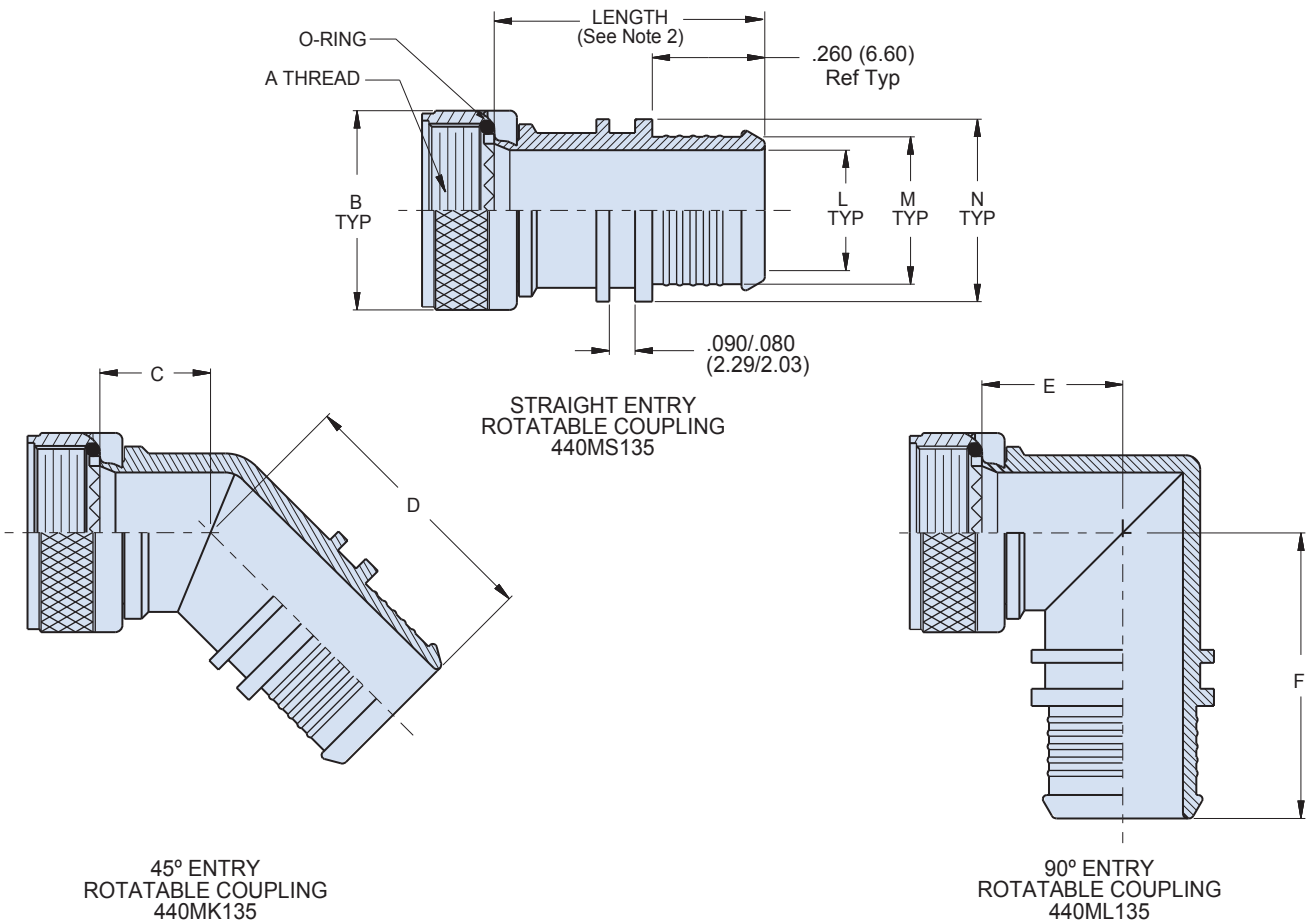
Shell Size Code	Shell Size Reference		A Thread Class -2B	Dimensions										Max Dash No. See Table I
	801 & 804	805		B Max		C Max.		D Max.		E Max.		F Max.		
	In	mm		In	mm	In	mm	In	mm	In	mm	In	mm	
08	8	10	1/2-28 UNEF	.70	17.78	.58	14.73	.70	17.78	.74	18.80	.86	21.84	07
14	14,15,16,17	18,19	15/16-20 UNEF	1.137	28.88	.69	17.53	.80	20.32	.95	24.13	1.09	27.69	
16	19	21	11/16-18 UNEF	1.230	31.24	.71	18.03	.82	20.83	.98	24.89	1.13	28.70	

Dash No.	L Dia		M Dia		N Dia		Straight Shrink Boot*
	in	mm	in	mm	in	mm	
04	.250	6.35	.289	7.34	.391	9.93	809S060-1L
05	.312	7.92	.351	8.92	.453	11.51	809S060-2L
06	.375	9.53	.414	10.52	.516	13.11	809S060-3L
07	.438	11.13	.477	12.12	.579	14.71	809S060-3L

\* Shrink Boot **MUST** be ordered separately.

Shrink boot material:

compound 2013 low temperature polyolefin with W2 hot melt adhesive.



M

# Mouser Electronics

Authorized Distributor

Click to View Pricing, Inventory, Delivery & Lifecycle Information:

## Glenair:

[440HS045M1705-3](#) [440HS045M2506-3](#) [440HS120NF11](#) [440MS135M0604-6](#) [440MS135M1414-6](#)  
[440MS135M0908-6](#) [440ML135M1414](#) [440MS135M1310-6](#) [440MS135M0908-7](#) [440MS135ZN0910-8B](#)  
[440MS135ZN0912-8B](#) [440MS135M0604-8K](#) [440MS135M0706-8K](#) [440MS135M0807-8K](#) [440MS135Z10908-8K](#)  
[440MS135M0503-8K](#) [440MS135M0703-6K](#) [440MS135M0803-6K](#) [440MS135M0804-8K](#) [440MS135M0908-8K](#)  
[440MS135M1007-6K](#) [440MS135M1109-6](#) [440MS135M1210-16](#) [440MS135M1304-6K](#) [440MS135M1305-6K](#)  
[440MS135M1310-8K](#) [440MS135M1405-6K](#) [440MS135NF0706-6](#) [440MS135NF0706-7](#) [440MS135NF0807-6](#)  
[440MS135NF0908-6](#) [440MS135NF1009-6](#) [440MS135NF1313-8K](#) [440MS135Z10604-8](#) [440MS135Z10604-8K](#)  
[440MS135Z10807-6K](#) [440MS135ZNU0705-6](#) [440HS045M2108-3](#) [440MS135M0704-6K](#) [440MS135M0705-12K](#)  
[440MS135M0705-8K](#) [440MS135NF0503-6](#) [440MS135NF0604-6](#) [440MS135NF0604-6K](#) [440MS135NF1210-6](#)  
[440MS135M1009-6K](#) [440MS135M1104-8](#) [440MS135M0604-6BT](#) [440MS135M1006-6K](#) [440MS135NF0503-6K](#)  
[440MS135Z10906-8K](#) [440MS135M0706-6K](#) [440MS135NF0807-7K](#) [440MS135M1405-16](#) [440MS135NF1414-16](#)  
[440MS135NF1208-6K](#) [440MS135NF1714-6](#) [440MS135ZN0604-6K](#) [440MS135M0502-6K](#) [440MS135M1103-6](#)  
[440MS135NF0706-20](#) [440MS135M1414-6T-340D](#) [440MS135NF1009-11](#) [440MS135M1407-8K](#) [440MS135NF0908-10](#)  
[440MS135M1009-6](#) [440MS135M1205-9K](#) [440MS135NF1309-6](#) [440MS135NF0705-8](#) [440MS135NF0909-6K](#)  
[440MS135NF0603-6](#) [440MS135NF1714-6K](#) [440MS135NF1210-6K](#) [440MS135NF0606-14](#) [440MS135NF0705-6K](#)  
[440MS135NF0704-20](#) [440MS135M0904-6](#) [440MS135ZN0706-8K](#) [440MS135NF0906-6K](#) [440MS135M1408-6K](#)  
[440MS135M1414-6KT](#) [440MS135NF0904-6](#) [440MS135M0503-6](#) [440MS135M1009-6BT](#) [440MS135M1414-6BT](#)  
[440MS135M0706-6BT](#) [440MS135M1408-12K](#) [440MS135NF1009-8K](#) [440MS135ZNU0908-10](#) [440MS135NF0706-6K](#)  
[440MS135M0807-6BT](#) [440MS135NF0908-6K](#) [440MS135M0705-6K](#) [440MS135M0604-6K](#) [440MS135NF0807-6K](#)  
[440MS135M1105-6](#) [440MS135M0503-6BT](#) [440MS135M0606-6BT](#) [440MS135NF1006-6K](#) [440MS135Z10908-8](#)