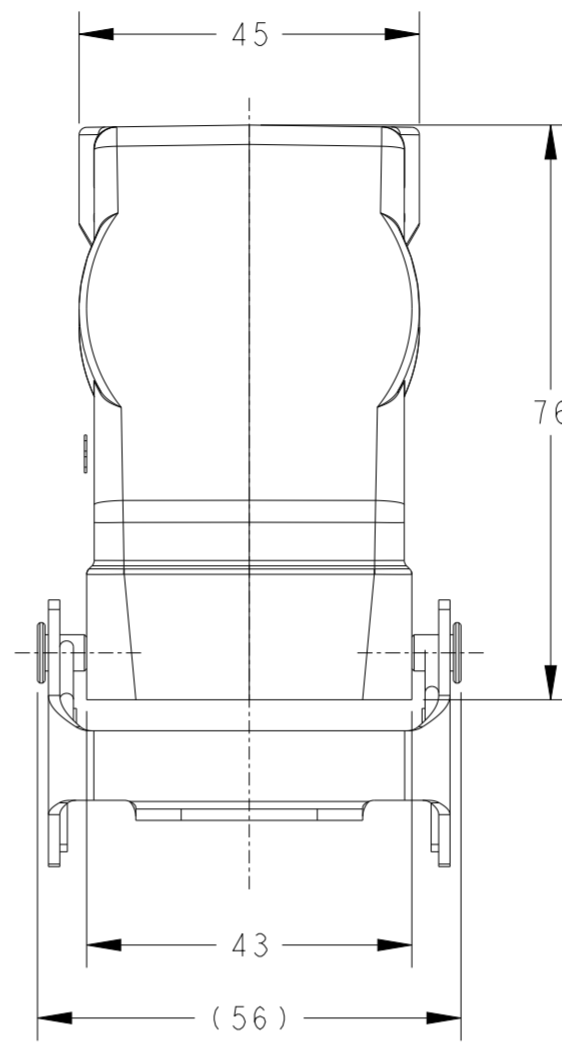
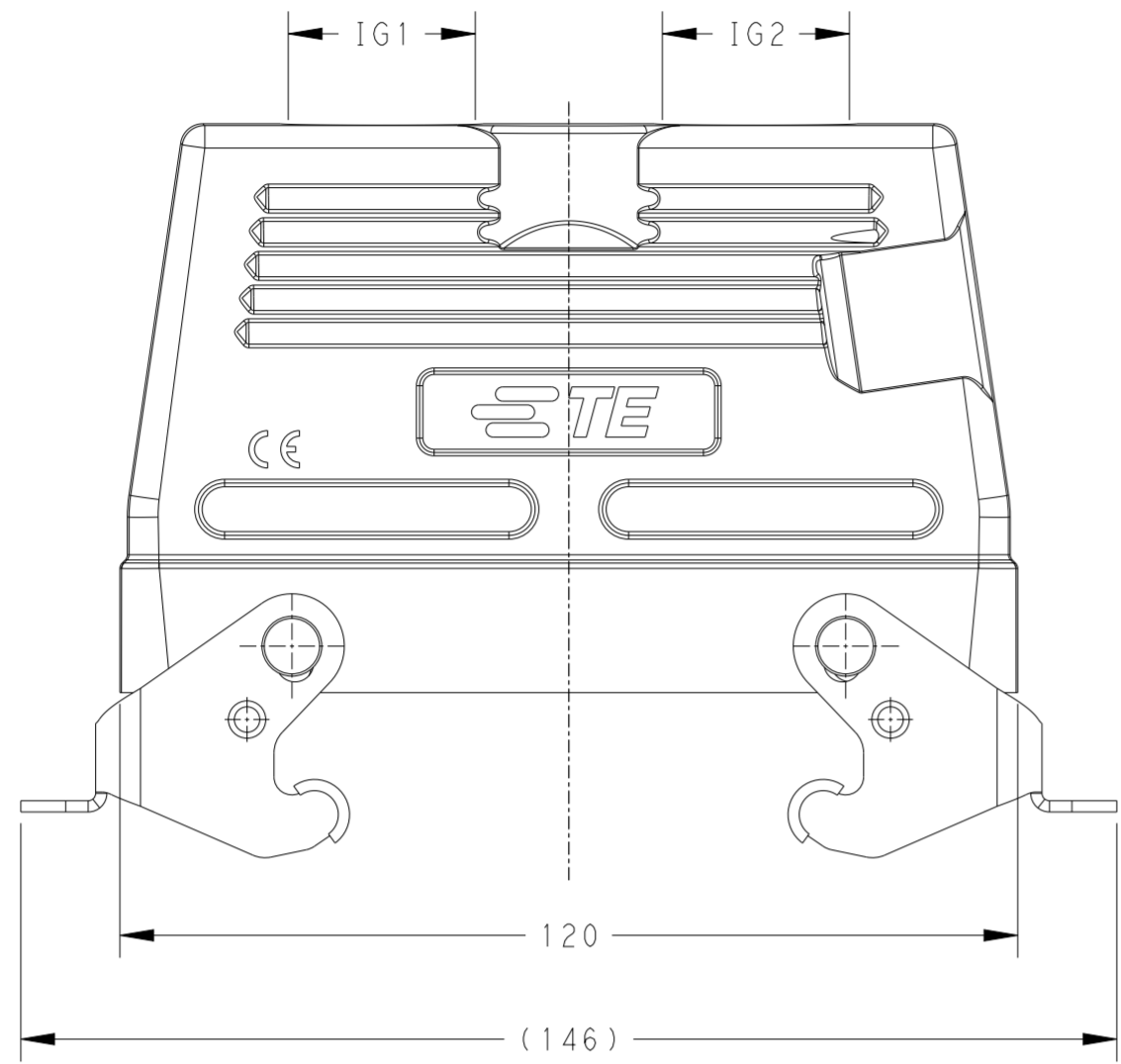


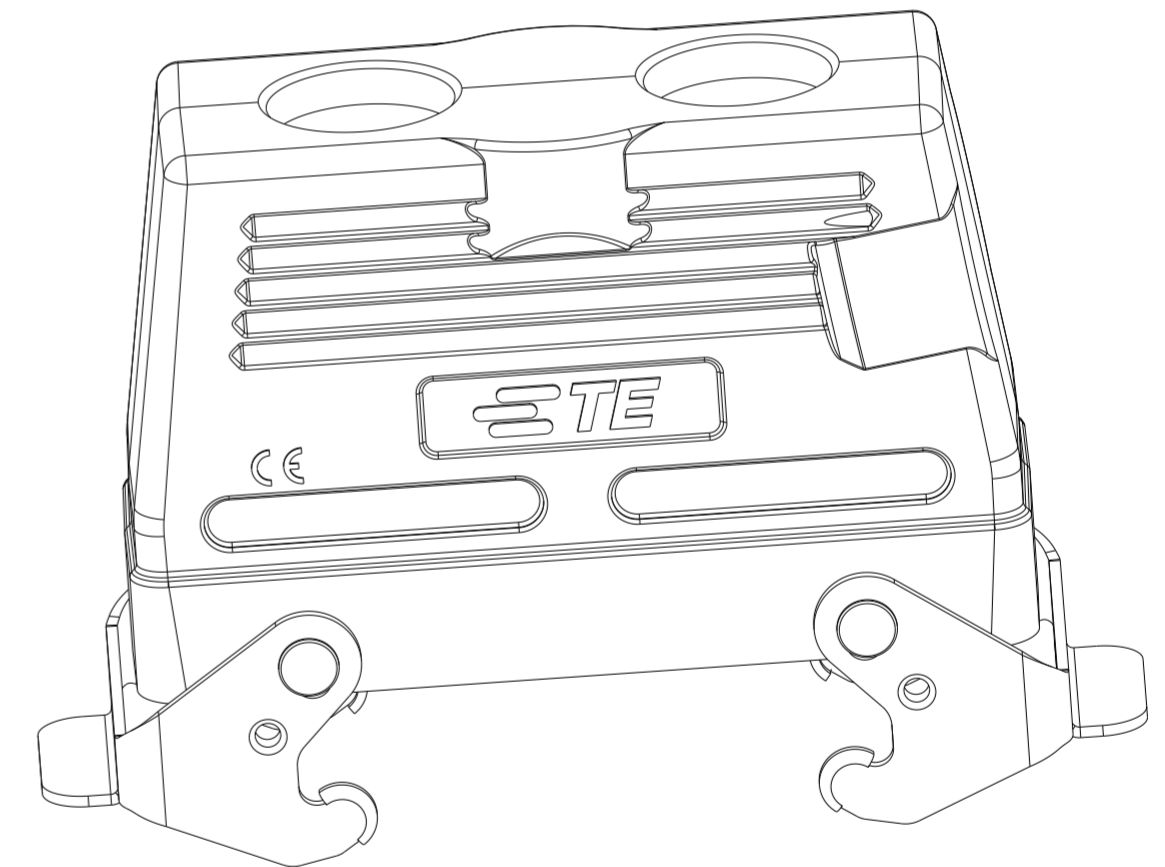
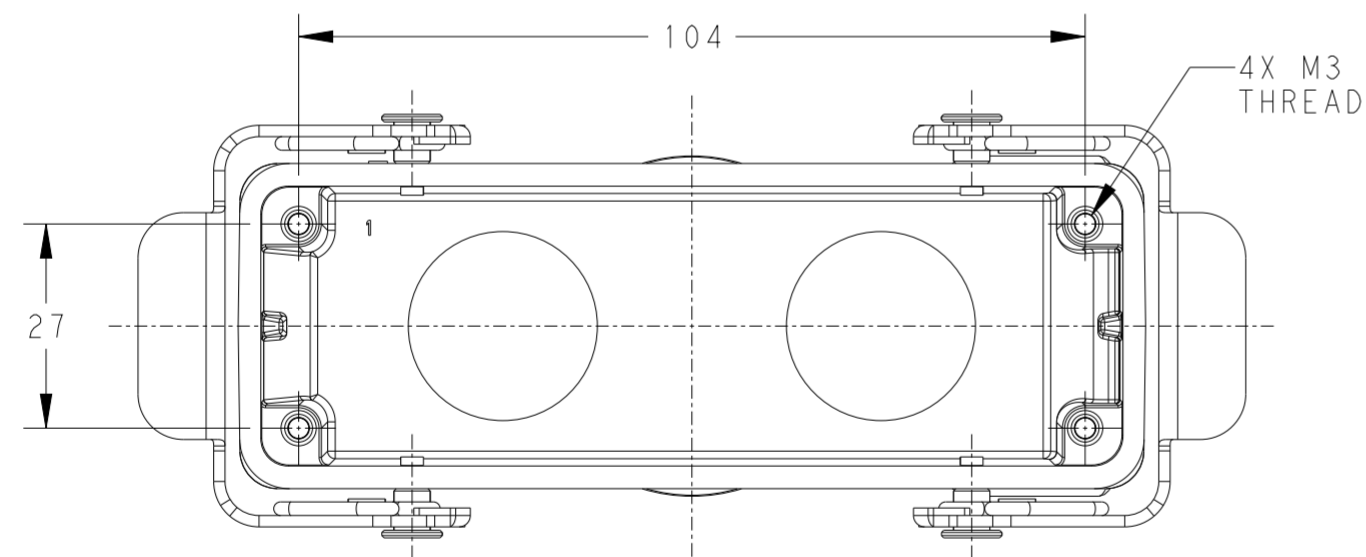
THIS DRAWING IS UNPUBLISHED. RELEASED FOR PUBLICATION 20
 © COPYRIGHT 20 BY - ALL RIGHTS RESERVED.

REVISIONS					
P	LTR	DESCRIPTION	DATE	DWN	APVD
A		INITIAL	06JUN2015	DW	CW
B		ECR-20-014876	10NOV2020	WOR	CW



NOTES:
 1. TECHNICAL CHARACTERISTICS:
 HOOD MATERIAL: DIE CAST ALUMINIUM ALLOY
 SURFACE: POWDER COATED, GREY
 DEGREE OF PROTECTION: IP65 (MATED)

注释:
 1. 技术参数:
 上壳材料: 铝合金
 表面处理: 粉末涂层, 灰色
 防护等级: IP65 (配合)



T1280240921-000	H24B-TGBH-PG9/PG21	HIGH CONSTRUCTION	PG9	PG21
T1280242120-000	H24B-TGBH-M20/PG21		M20	PG21
T1280242221-000	H24B-TGBH-2PG21		PG21	PG21
T1280242225-000	H24B-TGBH-2M25		M25	M25
T1280242921-000	H24B-TGBH-PG29/PG21		PG21	PG29
PART NUMBER	DESCRIPTION	TYPE	IG1	IG2

THIS DRAWING IS A CONTROLLED DOCUMENT.		DWN 06JUN2015 David Wang	TE Connectivity	
		CHK 06JUN2015 Chris Wang		
DIMENSIONS: mm		APVD 06JUN2015 Xiang Xu	NAME H24B-TGBH-M/PG	
TOLERANCES UNLESS OTHERWISE SPECIFIED:		PRODUCT SPEC 108-137013	RESTRICTED TO	
0 PLC ±		APPLICATION SPEC 114-137013	SIZE	CAGE CODE
1 PLC ±		WEIGHT	A2	00779
2 PLC ±		Customer Drawing	DRAWING NO C-T128024XXXX000	
3 PLC ±		SCALE 1:1	SHEET 1 OF 1	
4 PLC ±			REV B	
ANGLES ±				
FINISH				