

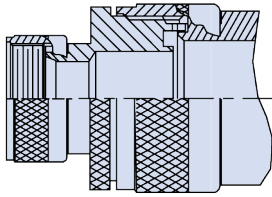
AS85049/24 and MS3188C 90° EMI/RFI Non-Environmental Backshell



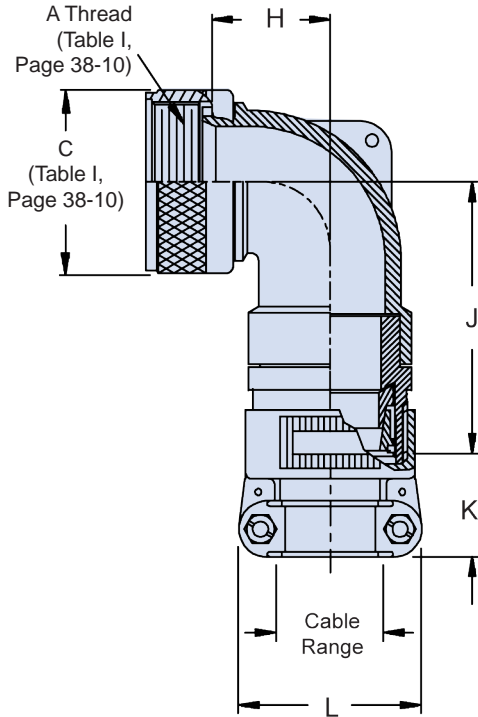
AS85049

B

| CONNECTOR DESIGNATOR: | |
|-----------------------|-----------------------------------|
| A | AS50151 Series AS34001 |
| | MIL-DTL-26482 Series II |
| | AS81703 Series III |
| | MIL-DTL-83723 Series I & III |
| | 40M39569, DEF 5326-3, EN 2997 |
| | EN 3646, ESC 10, ESC 11, LN 29504 |
| | NFC93422 Series HE302 |
| | PAN 6432-1, PAN 6432-2, PATT 602 |



STYLE 2



Basic Part Number Dash Number (Table II)

M85049/24 - 21 N

Finish / Material
B = Black Cadmium / Stainless Steel
N = Electroless Nickel / Aluminum
S = Passivated / Stainless Steel
W = 1,000 Hr. Cadmium Olive Drab over Electroless Nickel / Aluminum
X = Aluminum, Nickel Fluorocarbon Polymer
Z = Aluminum, Zinc-Nickel, Black
XS = Stainless Steel, Nickel Fluorocarbon Polymer
ZS = Stainless Steel, Zinc-Nickel, Black

Superseded Part Number

MS3188C 21 N

| | |
|----------------|----------|
| Basic Part No. | Dash No. |
|----------------|----------|

Finish (Material is Aluminum Only)

A = Cadmium Olive Drab over Nickel
C = Cadmium Olive Drab
N = Electroless Nickel

| TABLE II: Dash Number, Cable Range and Dimensions | | | | | | | | |
|---|------------|--------------|--------------|--------------|--------------|-------------|--------------|----------------|
| Dash No. | Shell Size | H Max | J Max | K Ref. | L Max | Cable Range | | M85049/42 Ref. |
| | | | | | | Min | Max | |
| 1 | 03 | .698 (17.7) | 1.862 (47.3) | 1.027 (26.1) | .957 (24.3) | .125 (3.2) | .250 (6.4) | 04 |
| 2 | 03 | 1.448 (36.8) | 1.382 (35.1) | 1.027 (26.1) | 1.145 (29.1) | .250 (6.4) | .437 (11.1) | 04 |
| 3 | 08 | .603 (15.3) | 1.262 (32.1) | 1.027 (26.1) | .957 (24.3) | .125 (3.2) | .250 (6.4) | 04 |
| 4 | 10 | .698 (17.7) | 1.982 (50.3) | 1.027 (26.1) | .957 (24.3) | .125 (3.2) | .312 (7.9) | 04 |
| 5 | 10 | .698 (17.7) | 1.382 (35.1) | 1.027 (26.1) | 1.145 (29.1) | .250 (6.4) | .375 (9.5) | 06 |
| 6 | 12 | .703 (17.9) | 2.002 (50.9) | 1.027 (26.1) | .957 (24.3) | .125 (3.2) | .312 (7.9) | 04 |
| 7 | 12 | .703 (17.9) | 2.002 (50.9) | 1.027 (26.1) | 1.145 (29.1) | .250 (6.4) | .437 (11.1) | 06 |
| 8 | 12 | .703 (17.9) | 1.397 (35.5) | 1.027 (26.1) | 1.332 (33.8) | .350 (8.9) | .500 (12.7) | 10 |
| 9 | 14 | .803 (20.4) | 2.072 (52.6) | 1.027 (26.1) | 1.145 (29.1) | .250 (6.4) | .437 (11.1) | 06 |
| 10 | 14 | .803 (20.4) | 1.717 (43.6) | 1.027 (26.1) | 1.332 (33.8) | .350 (8.9) | .575 (14.6) | 10 |
| 11 | 16 | .988 (25.1) | 2.162 (54.9) | 1.027 (26.1) | 1.145 (29.1) | .250 (6.4) | .437 (11.1) | 06 |
| 12 | 16 | .988 (25.1) | 1.807 (45.9) | 1.059 (26.9) | 1.551 (39.4) | .500 (12.7) | .700 (17.8) | 12 |
| 13 | 18 | 1.078 (27.4) | 2.332 (59.2) | 1.027 (26.1) | 1.332 (33.8) | .350 (8.9) | .625 (15.9) | 10 |
| 14 | 18 | 1.078 (27.4) | 1.982 (50.3) | 1.156 (29.4) | 1.770 (45.0) | .625 (15.9) | .779 (19.8) | 16 |
| 15 | 20 | 1.078 (27.4) | 2.332 (59.2) | 1.027 (26.1) | 1.332 (33.8) | .350 (8.9) | .625 (15.9) | 10 |
| 16 | 20 | 1.079 (27.4) | 1.982 (50.3) | 1.156 (29.4) | 1.770 (45.0) | .625 (15.9) | .904 (23.0) | 16 |
| 17 | 22 | 1.228 (31.2) | 2.442 (62.0) | 1.059 (26.9) | 1.551 (39.4) | .500 (12.7) | .750 (19.1) | 12 |
| 18 | 22 | 1.228 (31.2) | 2.087 (53.0) | 1.375 (34.9) | 2.113 (53.7) | .875 (22.2) | 1.029 (26.1) | 20 |
| 19 | 24 | 1.228 (31.2) | 2.442 (62.0) | 1.059 (26.9) | 1.551 (39.4) | .500 (12.7) | .750 (19.1) | 12 |
| 20 | 24 | 1.228 (31.2) | 2.087 (53.0) | 1.375 (34.9) | 2.113 (53.7) | .875 (22.2) | 1.144 (29.1) | 20 |
| 21 | 28 | 1.328 (33.7) | 2.612 (66.3) | 1.156 (33.7) | 1.770 (45.0) | .625 (15.9) | .937 (23.8) | 16 |

Continued on Page B-46 • Refer to the Mil-Spec for Complete Dimensions

Dimensions in inches (millimeters) and are subject to change without notice.

© 2013 Glenair, Inc.

U.S. CAGE Code 06324

Printed in U.S.A.



AS85049/24 and MS3188C 90° EMI/RFI Non-Environmental Backshell

TABLE II: Continued from Page B-45 • Refer to the Mil-DSpec for Complete Dimensions

| Dash No. | Shell Size | H Max | K Max | K Ref. | L Max | Cable Range | | M85049/42 Ref. |
|----------|------------|--------------|--------------|--------------|--------------|--------------|--------------|----------------|
| | | | | | | Min | Max | |
| 22 | 28 | 1.328 (33.7) | 2.257 (57.3) | 1.500 (38.1) | 2.363 (60.0) | 1.000 (25.4) | 1.375 (34.9) | 24 |
| 23 | 32 | 1.678 (42.6) | 2.862 (72.7) | 1.156 (29.4) | 1.770 (45.0) | .625 (15.9) | .937 (23.8) | 16 |
| 24 | 32 | 1.678 (42.6) | 2.862 (72.7) | 1.375 (34.9) | 2.113 (53.7) | .875 (22.2) | 1.250 (31.8) | 20 |
| 25 | 32 | 1.678 (42.6) | 2.507 (63.7) | 1.781 (45.2) | 2.770 (70.4) | 1.250 (31.8) | 1.625 (41.3) | 28 |
| 26 | 36 | 1.878 (47.7) | 2.832 (71.9) | 1.156 (29.4) | 1.770 (45.0) | .625 (15.9) | .937 (23.8) | 16 |
| 27 | 36 | 1.878 (47.7) | 2.832 (71.9) | 1.500 (38.1) | 2.363 (60.0) | 1.000 (25.4) | 1.375 (34.9) | 24 |
| 28 | 36 | 1.878 (47.7) | 2.477 (62.9) | 1.830 (46.5) | 3.020 (76.7) | 1.437 (36.5) | 1.840 (46.7) | 32 |
| 29 | 40 | 2.628 (66.8) | 2.832 (71.9) | 1.156 (29.4) | 1.770 (45.0) | .625 (15.9) | .937 (23.8) | 16 |
| 30 | 40 | 2.628 (66.8) | 2.832 (71.9) | 1.500 (38.1) | 2.363 (60.0) | 1.000 (25.4) | 1.375 (34.9) | 24 |
| 31 | 40 | 2.628 (66.8) | 2.477 (62.9) | 1.830 (46.5) | 3.020 (76.7) | 1.437 (36.5) | 1.875 (47.6) | 32 |
| 32 | 44 | 2.628 (66.8) | 2.832 (71.9) | 1.156 (29.4) | 1.770 (45.0) | .625 (15.9) | .937 (23.8) | 16 |
| 33 | 44 | 2.628 (66.8) | 2.832 (71.9) | 1.500 (38.1) | 2.363 (60.0) | 1.000 (25.4) | 1.375 (34.9) | 24 |
| 34 | 44 | 2.628 (66.8) | 2.477 (62.9) | 1.830 (46.5) | 3.020 (76.7) | 1.437 (36.5) | 1.875 (47.6) | 32 |
| 35 | 48 | 2.628 (66.8) | 2.832 (71.9) | 1.156 (29.4) | 1.770 (45.0) | .625 (15.9) | .937 (23.8) | 16 |
| 36 | 48 | 2.628 (66.8) | 2.832 (71.9) | 1.500 (38.1) | 2.363 (60.0) | 1.000 (25.4) | 1.375 (34.9) | 24 |
| 37 | 48 | 2.628 (66.8) | 2.477 (62.9) | 1.830 (46.5) | 3.020 (76.7) | 1.437 (36.5) | 1.875 (47.6) | 32 |
| 38 | 61 | 1.228 (31.2) | 2.442 (62.0) | 1.059 (26.9) | 1.551 (39.4) | .500 (12.7) | .750 (19.1) | 12 |
| 39 | 61 | 1.228 (31.2) | 2.087 (53.0) | 1.375 (34.9) | 2.113 (53.7) | .875 (22.2) | 1.184 (30.1) | 20 |
| 40 | 16 | .988 (25.1) | 2.162 (54.9) | 1.027 (26.1) | 1.332 (33.8) | .350 (8.9) | .625 (15.9) | 10 |
| 41 | 18 | 1.078 (27.4) | 2.332 (59.2) | 1.027 (26.1) | .957 (24.3) | .125 (3.2) | .312 (7.9) | 04 |
| 42 | 18 | 1.078 (27.4) | 2.332 (59.2) | 1.027 (26.1) | 1.145 (29.1) | .250 (6.4) | .437 (11.1) | 06 |
| 43 | 20 | 1.078 (27.4) | 2.332 (59.2) | 1.027 (26.1) | 1.145 (29.1) | .250 (6.4) | .437 (11.1) | 06 |
| 44 | 22 | 1.228 (31.2) | 2.442 (62.0) | 1.027 (26.1) | .957 (24.3) | .125 (3.2) | .312 (7.9) | 04 |
| 45 | 22 | 1.228 (31.2) | 2.442 (62.0) | 1.027 (26.1) | 1.145 (29.1) | .250 (6.4) | .437 (11.1) | 06 |
| 46 | 24 | 1.228 (31.2) | 2.442 (62.0) | 1.027 (26.1) | 1.332 (33.8) | .350 (8.9) | .625 (15.9) | 10 |
| 47 | 36 | 1.878 (47.7) | 2.832 (71.9) | 1.059 (26.9) | 1.551 (39.4) | .500 (12.7) | .750 (19.1) | 12 |
| 48 | 40 | 1.878 (47.7) | 2.832 (71.9) | 1.059 (26.9) | 1.551 (39.4) | .500 (12.7) | .750 (19.1) | 12 |
| 49* | 10 | 1.453 (36.9) | 2.002 (50.9) | 1.027 (26.1) | 1.145 (29.1) | .250 (6.4) | .437 (11.1) | 06 |
| 50* | 14 | 1.828 (46.4) | 2.334 (59.3) | 1.059 (26.9) | 1.551 (39.4) | .500 (12.7) | .750 (19.1) | 12 |
| 51* | 16 | 1.978 (50.2) | 2.442 (62.0) | 1.156 (29.4) | 1.770 (45.0) | .625 (15.9) | .937 (23.8) | 16 |
| 52 | 18 | 1.078 (27.4) | 2.332 (59.2) | 1.059 (26.9) | 1.551 (39.4) | .500 (12.7) | .750 (19.1) | 12 |
| 53 | 61 | 1.228 (31.2) | 2.087 (53.0) | 1.156 (29.4) | 1.770 (45.0) | .625 (15.9) | .937 (23.8) | 16 |
| 54 | 20 | 1.078 (27.4) | 2.332 (59.2) | 1.059 (26.9) | 1.551 (39.4) | .500 (12.7) | .750 (19.1) | 12 |
| 55* | 20 | 2.078 (52.8) | 2.612 (66.3) | 1.375 (34.9) | 2.113 (53.7) | .875 (22.2) | 1.250 (31.8) | 20 |
| 56 | 22 | 1.228 (31.2) | 2.442 (62.0) | 1.027 (26.1) | 1.332 (33.8) | .350 (8.9) | .625 (15.9) | 10 |
| 57 | 22 | 1.228 (31.2) | 2.442 (62.0) | 1.156 (29.4) | 1.770 (45.0) | .625 (15.9) | .937 (23.8) | 16 |
| 58* | 22 | 2.078 (52.8) | 2.612 (66.3) | 1.375 (34.9) | 2.113 (53.7) | .875 (22.2) | 1.250 (31.8) | 20 |
| 59 | 24 | 1.228 (31.2) | 2.442 (62.0) | 1.156 (29.4) | 1.770 (45.0) | .625 (15.9) | .937 (23.8) | 16 |
| 60 | 28 | 1.328 (33.7) | 2.612 (66.3) | 1.059 (26.9) | 1.551 (39.4) | .500 (12.7) | .750 (19.1) | 12 |
| 61 | 28 | 1.328 (33.7) | 2.612 (66.3) | 1.375 (34.9) | 2.113 (53.7) | .875 (22.2) | 1.250 (31.8) | 20 |
| 62 | 32 | 1.678 (42.6) | 2.862 (72.7) | 1.500 (38.1) | 2.363 (60.0) | 1.000 (25.4) | 1.375 (34.9) | 24 |
| 63 | 36 | 1.878 (47.7) | 2.832 (71.9) | 1.375 (34.9) | 2.113 (53.7) | .875 (22.2) | 1.250 (31.8) | 20 |
| 64 | 36 | 1.878 (47.7) | 2.832 (71.9) | 1.781 (45.2) | 2.770 (70.4) | 1.250 (31.8) | 1.625 (41.3) | 28 |
| 65 | 40 | 2.628 (66.8) | 2.832 (71.9) | 1.375 (34.9) | 2.113 (53.7) | .875 (22.2) | 1.250 (31.8) | 20 |
| 66 | 40 | 2.628 (66.8) | 2.832 (71.9) | 1.375 (34.9) | 2.113 (53.7) | .875 (22.2) | 1.250 (31.8) | 28 |
| 67 | 44 | 2.628 (66.8) | 2.832 (71.9) | 1.375 (34.9) | 2.113 (53.7) | .875 (22.2) | 1.250 (31.8) | 20 |
| 68 | 44 | 2.628 (66.8) | 2.832 (71.9) | 1.781 (45.2) | 2.770 (70.4) | 1.250 (31.8) | 1.625 (41.3) | 28 |
| 69 | 48 | 2.628 (66.8) | 2.832 (71.9) | 1.375 (34.9) | 2.113 (53.7) | .875 (22.2) | 1.250 (31.8) | 20 |
| 70 | 48 | 2.628 (66.8) | 2.832 (71.9) | 1.781 (45.2) | 2.770 (70.4) | 1.250 (31.8) | 1.625 (41.3) | 28 |
| 71* | 12 | 1.748 (44.4) | 2.162 (54.9) | 1.027 (26.1) | 1.332 (33.8) | .350 (8.9) | .625 (15.9) | 10 |
| 72* | 18 | 1.988 (50.5) | 2.442 (62.0) | 1.156 (29.4) | 1.770 (45.0) | .625 (15.9) | .937 (23.8) | 16 |
| 73* | 24 | 2.088 (53.0) | 2.612 (66.3) | 1.375 (34.9) | 2.116 (53.7) | .875 (22.2) | 1.250 (31.8) | 20 |
| 74 | 14 | .803 (20.4) | 2.072 (52.6) | 1.027 (26.1) | .957 (24.3) | .125 (3.2) | .312 (7.9) | 04 |
| 75 | 16 | .988 (25.1) | 2.162 (54.9) | 1.027 (26.1) | .957 (24.3) | .125 (3.2) | .312 (7.9) | 04 |

Dimensions in inches (millimeters) and are subject to change without notice.

Mouser Electronics

Authorized Distributor

Click to View Pricing, Inventory, Delivery & Lifecycle Information:

Glenair:

[M85049/24-16S](#) [M85049/24-48W](#) [M85049/24-20S](#) [M85049/24-43N](#) [M85049/24-49N](#) [M85049/24-56N](#) [M85049/24-3S](#) [M85049/24-17S](#) [M85049/24-24W](#) [M85049/24-51W](#) [M85049/24-18S](#) [M85049/24-46W](#) [M85049/24-47W](#) [M85049/24-49W](#) [M85049/24-4W](#) [M85049/24-61W](#) [M85049/24-73N](#) [M85049/24-64N](#) [M85049/24-64W](#) [M85049/24-69W](#) [M85049/24-6W](#) [M85049/24-75W](#) [M85049/24-45W](#) [M85049/24-34N](#) [M85049/24-3N](#) [M85049/24-42N](#) [M85049/24-51N](#) [M85049/24-52W](#) [M85049/24-58N](#) [M85049/24-22N](#) [M85049/24-27S](#) [M85049/24-27W](#) [M85049/24-2B](#) [M85049/24-30W](#) [M85049/24-32N](#) [M85049/24-74N](#) [M85049/24-7S](#) [M85049/24-8W](#) [M85049/24-11N](#) [M85049/24-13S](#) [M85049/24-16N](#) [M85049/24-43W](#) [M85049/24-44W](#) [M85049/24-53N](#) [M85049/24-55N](#) [M85049/24-62W](#) [M85049/24-72W](#) [M85049/24-13N](#) [M85049/24-24N](#) [M85049/24-31W](#) [M85049/24-36W](#) [M85049/24-37N](#) [M85049/24-39S](#) [M85049/24-65W](#) [M85049/24-66W](#) [M85049/24-71N](#) [M85049/24-72N](#) [M85049/24-73W](#) [M85049/24-74W](#) [M85049/24-70W](#) [M85049/24-42W](#) [M85049/24-49S](#) [M85049/24-4N](#) [M85049/24-52N](#) [M85049/24-59N](#) [M85049/24-57N](#) [M85049/24-5W](#) [M85049/24-62N](#) [M85049/24-66N](#) [M85049/24-68N](#) [M85049/24-70N](#) [M85049/24-25B](#) [M85049/24-29N](#) [M85049/24-29W](#) [M85049/24-31N](#) [M85049/24-33W](#) [M85049/24-39W](#) [M85049/24-35N](#) [M85049/24-35W](#) [M85049/24-52S](#) [M85049/24-10N](#) [M85049/24-9W](#) [M85049/24-20N](#) [M85049/24-12N](#) [M85049/24-1W](#) [M85049/24-21S](#) [M85049/24-22W](#) [M85049/24-27N](#) [M85049/24-30N](#) [M85049/24-61N](#) [M85049/24-67W](#) [M85049/24-6N](#) [M85049/24-7W](#) [M85049/24-9N](#) [M85049/24-10S](#) [M85049/24-36N](#) [M85049/24-45N](#) [M85049/24-53W](#) [M85049/24-54N](#) [M85049/24-54W](#)