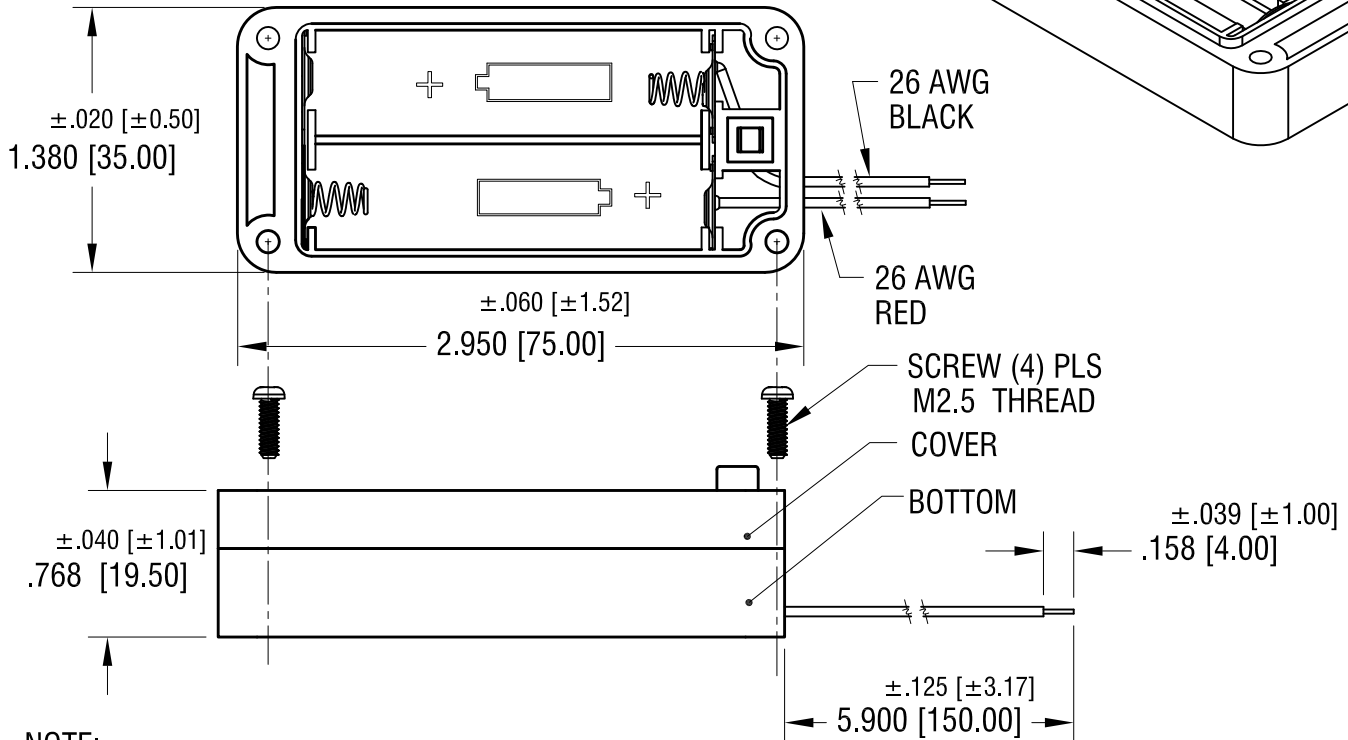
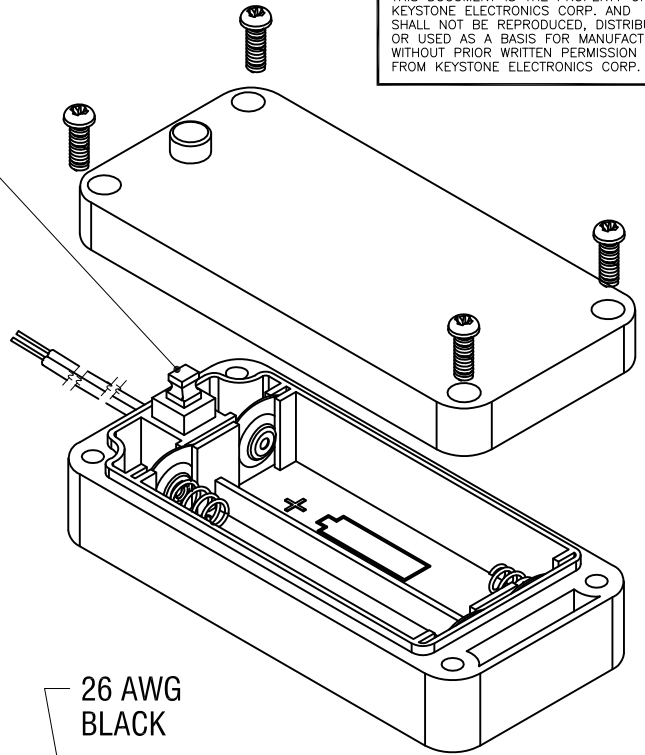
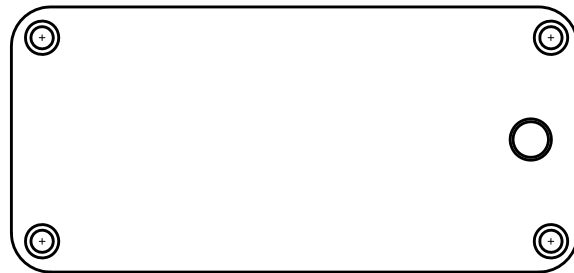


THIS DOCUMENT IS THE PROPERTY OF KEYSTONE ELECTRONICS CORP. AND SHALL NOT BE REPRODUCED, DISTRIBUTED OR USED AS A BASIS FOR MANUFACTURE WITHOUT PRIOR WRITTEN PERMISSION FROM KEYSTONE ELECTRONICS CORP.

"ON-OFF" SWITCH



NOTE:

1. HOLDER: MAT'L: ABS
2. SPRING: MAT'L: MUSIC WIRE, .020 [0.50] DIA. FINISH: NICKEL PLATE
3. SCREW: MAT'L- STEEL, ZINC PLATED
4. IP65 RATED FOR WATER, DUST AND HARSH ENVIRONMENTS

4.05.23	STRIPED PART WAS $\pm .032$ [ $\pm 0.81$ ] WIRE LENGTH WAS 6.000 [152.40] CHANGE AS PER ECN 23-045	A
DATE	DESCRIPTION	REV.

<b>KEYSTONE ELECTRONICS CORP.</b>			
www.keyelco.com • NEW HYDE PARK, NY 11040 • Tel (516) 328-7500			
PART NAME WATER RESISTANT BATTERY HOLDER (2) 'AA'			
MATERIAL AS NOTED			
FINISH AS NOTED	DRN BY NT	DATE 5.09.18	
	APP'D RH	SCALE 1X	
TOLERANCES DECIMAL ANGULAR UNLESS OTHERWISE SPECIFIED	INCH [MM] $\pm .010$ [ $\pm 0.25$ ] $\pm 1^\circ$	CODE C	DWG NO. 2438