



## DESCRIPTION

The SN75LBC184 and SN65LBC184 are differential data line transceivers in the trade-standard footprint of the SN75176 with built-in protection against high-energy noise transients. This feature provides a substantial increase in reliability for better immunity to noise transients coupled to the data cable over most existing devices. Use of these circuits provides a reliable low-cost direct-coupled (with no isolation transformer) data line interface without requiring any external components.

The SN75LBC184 and SN65LBC184 can withstand overvoltage transients of 400-W peak (typical). The conventional combination wave called out in IEC 61000-4-5 simulates the overvoltage transient and models a unidirectional surge caused by overvoltages from switching and secondary lightning transients.

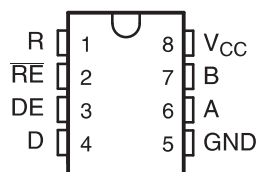
## APPLICATIONS

- Industrial Networks
- Utility Meters
- Motor Control

## FEATURES

- Integrated Transient Voltage Suppression
- ESD Protection for Bus Terminals Exceeds:  $\pm 30$  kV IEC 61000-4-2, Contact Discharge  $\pm 15$  kV IEC 61000-4-2, Air-Gap Discharge  $\pm 15$  kV EIA/JEDEC Human Body Model
- Circuit Damage Protection of 400-W Peak (Typical) Per IEC 61000-4-5
- Controlled Driver Output-Voltage Slew Rates Allow Longer Cable Stub Lengths
- 250-kbps in Electrically Noisy Environments
- Open-Circuit Fail-Safe Receiver Design
- 1/4 Unit Load Allows for 128 Devices Connected on Bus
- Thermal Shutdown Protection
- Power-Up/-Down Glitch Protection
- Each Transceiver Meets or Exceeds the Requirements of TIA/EIA-485 (RS-485) and ISO/IEC 8482:1993(E) Standards
- Low Disabled Supply Current 300  $\mu$ A Max
- Pin Compatible With SN75176

## PIN CONFIGURATION



SOP-8(SOIC-8),DIP-8

### Pin Functions

PIN		I/O	DESCRIPTION
NAME	NO.		
A	6	Bus input/output	Driver output or receiver input (complementary to B)
B	7	Bus input/output	Driver output or receiver input (complementary to A)
D	4	Digital input	Driver data input
DE	3	Digital input	Active-HIGH driver enable
GND	5	Reference potential	Local device ground
R	1	Digital output	Receiver data output
$\overline{RE}$	2	Digital input	Active-LOW receiver enable
V <sub>CC</sub>	8	Supply	4.75-V to 5.25-V supply



## BLOCK DIAGRAM

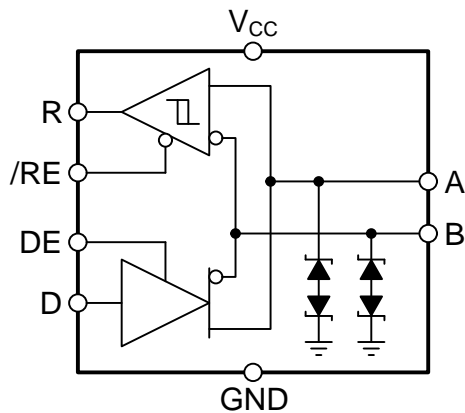
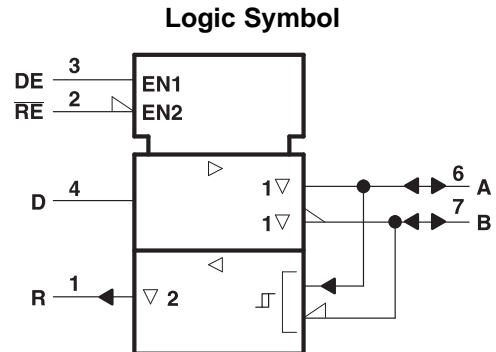


Figure 13. Functional Logic Diagram

## LOGIC SYMBOL



## OVERVIEW

The SNx5LBC184 device is a 5-V, half-duplex, RS-485 transceiver with integrated transient voltage suppressors that prevent circuit damage in the presence of high-energy transients of up to 400-W peak power. This transceiver has an active-HIGH driver enable and active-LOW receiver enable. The differential driver is suitable for data transmission up to 250 kbps.

## FEATUER DESCRIPTION

Integrated transient voltage suppressors protect the transceiver against Electrostatic Discharges (ESD) according to IEC 61000-4-2 of up to  $\pm 30$  kV and surge transients according to IEC 61000-4-5 of up to 400-W peak.

The differential driver incorporates slew-rate controlled outputs sufficient to transmit data up to 250 kbps. Slew-rate control allows for longer unterminated cable runs and longer stub lengths from the main cable trunk than with faster voltage transitions. A unique receiver design provides a high level failsafe output when the inputs are left floating.

The SN65LBC184 is characterized from  $-40^{\circ}\text{C}$  to  $85^{\circ}\text{C}$  and the SN75LBC184 is characterized from  $0^{\circ}\text{C}$  to  $70^{\circ}\text{C}$ .

DRIVER FUNCTION TABLE

INPUT	ENABLE	OUTPUTS	
D	DE	A	B
H	H	H	L
L	H	L	H
X	L	Z	Z

H = high level, L = low level, ? = indeterminate,  
X = irrelevant, Z = high impedance (off)

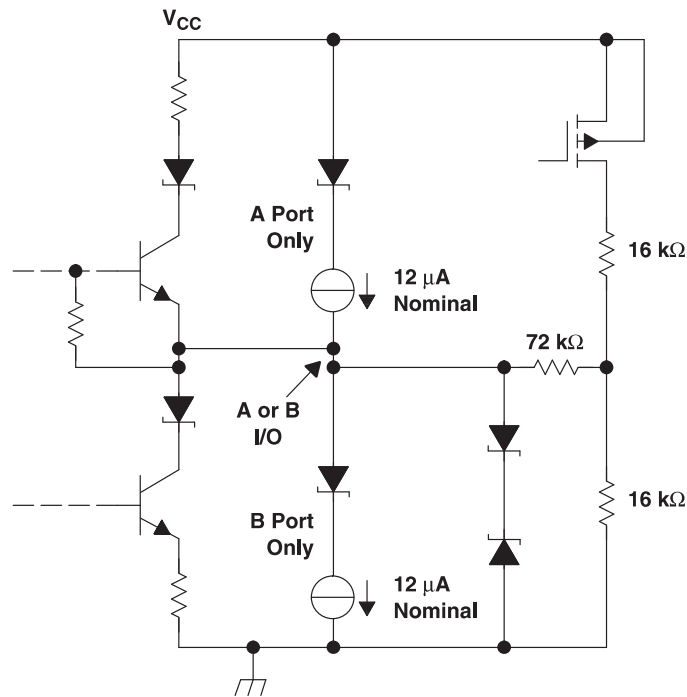
RECEIVER FUNCTION TABLE

DIFFERENTIAL INPUTS	ENABLE	OUTPUT
A - B	$\overline{\text{RE}}$	R
$V_{\text{ID}} \geq 0.2 \text{ V}$	L	H
$-0.2 \text{ V} < V_{\text{ID}} < 0.2 \text{ V}$	L	?
$V_{\text{ID}} \leq -0.2 \text{ V}$	L	L
X	H	Z
Open	L	H

H = high level, L = low level, ? = indeterminate,  
X = irrelevant, Z = high impedance (off)



## Schematic of Inputs and Outputs



## SPECIFICATIONS

### Absolute Maximum Ratings

over operating free-air temperature range (unless otherwise noted) <sup>(1)</sup>

SYMBOL	PARAMETER	MIN	MAX	UNIT
V <sub>CC</sub>	Supply voltage <sup>(2)</sup>	-0.5	7	V
	Continuous voltage range at any bus terminal	-15	15	V
	Data input/output voltage	-0.3	7	V
I <sub>O</sub>	Receiver output current	-20	20	mA
	Continuous total power dissipation <sup>(3)</sup>	Internally Limited		
T <sub>stg</sub>	Storage temperature		160	°C

- (1) Stresses beyond those listed under *Absolute Maximum Ratings* may cause permanent damage to the device. These are stress ratings only, and functional operation of the device at these or any other conditions beyond those indicated under Recommended Operating Conditions is not implied. Exposure to absolute-maximum-rated conditions for extended periods may affect device reliability.
- (2) All voltage values, except differential input/output bus voltage, are with respect to network ground terminal.
- (3) The driver shuts down at a junction temperature of approximately 160°C. To operate below this temperature, see the Dissipation Ratings.

### ESD Ratings

SYMBOL	PARAMETER	VALUE	UNIT
V <sub>(ESD)</sub> Electrostatic discharge	Human body model (HBM), per ANSI/ESDA/JEDEC JS-001 <sup>(1)</sup>	A, B, GND	±15000
		All pins	±3000
	Contact discharge (IEC61000-4-2)	A, B, GND <sup>(2)</sup>	±30000
	Air discharge (IEC61000-4-2)	A, B, GND <sup>(3)</sup>	±15000
	All pins (Class 3A)		±8000
	All pins (Class 3B)		±200

- (1) JEDEC document JEP155 states that 500-V HBM allows safe manufacturing with a standard ESD control process.
- (2) GND and bus pin ESD protection is beyond readily available test equipment capabilities for IEC 61000-4-2, EIA/JEDEC test method A114-A and MIL-STD-883C method 3015. Ratings listed are limits of test equipment; device performance exceeds these limits.



## Recommended Operating Conditions

over operating free-air temperature range

SYMBOL	PARAMETER	MIN	TYP	MAX	UNIT
V <sub>CC</sub>	Supply voltage	4.75	5	5.25	V
V <sub>I</sub> or V <sub>IC</sub>	Voltage at any bus terminal (separately or common mode)	-7		12	V
V <sub>IH</sub>	High-level input voltage	2			V
V <sub>IL</sub>	Low-level input voltage			0.8	V
V <sub>ID</sub>	Differential input voltage			12	V
I <sub>OH</sub>	High-level output current	Driver			mA
		Receiver	-60		
I <sub>OL</sub>	Low-level output current	Driver			mA
		Receiver	-8		
T <sub>A</sub>	Operating free-air temperature	SN75LBC184	0	70	°C
		SN65LBC184	-40	85	

## Thermal Information

SYMBOL	THERMAL METRIC	SNx5LBC184		UNIT
		P [DIP-8]	D [SOP-8]	
		8 PINS		
R <sub>θJA</sub>	Junction-to-ambient thermal resistance	108.7	172.4	°C/W
R <sub>θJC(top)</sub>	Junction-to-case (top) thermal resistance	34.8	42.5	°C/W
R <sub>θJB</sub>	Junction-to-board thermal resistance	23.6	41.4	°C/W
ψ <sub>JT</sub>	Junction-to-top characterization parameter	12	4.6	°C/W
ψ <sub>JB</sub>	Junction-to-board characterization parameter	23.5	40.7	°C/W
R <sub>θJC(bot)</sub>	Junction-to-case (bottom) thermal resistance	N/A	N/A	°C/W

## Driver Switching Characteristics

over recommended operating conditions (unless otherwise noted)

SYMBOL	PARAMETER	TEST CONDITIONS	MIN	TYP	MAX	UNIT	
t <sub>d(DH)</sub>	Differential output delay time, low-to-high-level output	R <sub>L</sub> = 54 Ω C <sub>L</sub> = 50 pF See Figure 9			1.3	μs	
t <sub>d(DL)</sub>	Differential output delay time, high-to-low-level output				1.3	μs	
t <sub>PLH</sub>	Propagation delay time, low-to-high-level output			0.5	1.3	μs	
t <sub>PHL</sub>	Propagation delay time, high-to-low-level output			0.5	1.3	μs	
t <sub>sk(p)</sub>	Pulse skew ( t <sub>d(DH)</sub> - t <sub>d(DL)</sub>  )			75	150	ns	
t <sub>r</sub>	Rise time, single-ended			0.25		1.2	μs
t <sub>f</sub>	Fall time, single-ended			0.25		1.2	μs
t <sub>PZH</sub>	Output enable time to high level	R <sub>L</sub> = 110 Ω See Figure 6			3.5	μs	
t <sub>PZL</sub>	Output enable time to low level	R <sub>L</sub> = 110 Ω See Figure 7			3.5	μs	
t <sub>PHZ</sub>	Output disable time from high level	R <sub>L</sub> = 110 Ω See Figure 6			2	μs	
t <sub>PLZ</sub>	Output disable time from low level	R <sub>L</sub> = 110 Ω See Figure 7			2	μs	

## Dissipation Ratings

PACKAGE	T <sub>A</sub> ≤ 25°C POWER RATING	DERATING FACTOR ABOVE T <sub>A</sub> = 25°C	T <sub>A</sub> = 70°C POWER RATING	T <sub>A</sub> = 85°C POWER RATING
D	725 mW	5.8 mW/°C	464 mW	377 mW
P	1150 mW	9.2 mW/°C	736 mW	598 mW



### Electrical Characteristics: Driver

over recommended operating conditions (unless otherwise noted)

SYMBOL	PARAMETER	ALTERNATE SYMBOLS	TEST CONDITIONS	MIN	TYP <sup>(1)</sup>	MAX	UNIT
I <sub>CC</sub>	Supply current	NA	DE = $\overline{RE}$ = 5 V No Load		12	25	mA
			DE = 0 V RE = 5 V No Load		175	300	μA
I <sub>IH</sub>	High-level input current (D, DE, RE)	NA	V <sub>I</sub> = 2.4 V			50	μA
I <sub>IL</sub>	Low-level input current (D, DE, RE)	NA	V <sub>I</sub> = 0.4 V	-50			μA
I <sub>OS</sub>	Short-circuit output current OS <sup>(2)</sup>	NA	V <sub>O</sub> = -7 V	-250	-120		mA
			V <sub>O</sub> = V <sub>CC</sub>			250	
			V <sub>O</sub> = 12 V			250	
I <sub>OZ</sub>	High-impedance output current	NA	See Receiver I <sub>I</sub>				mA
V <sub>O</sub>	Output voltage	V <sub>oa</sub> , V <sub>ob</sub>	I <sub>O</sub> = 0	0		V <sub>CC</sub>	V
V <sub>OC(PP)</sub>	Peak-to-peak change in common-mode output voltage during state transitions	NA	See Figure 9 and Figure 10		0.8		V
V <sub>OC</sub>	Common-mode output voltage	V <sub>os</sub>	See Figure 8	1		3	V
ΔV <sub>OC(SS)</sub>	Magnitude of change, common-mode steady-state output voltage	V <sub>os</sub> - V <sub>os</sub>	See Figure 10			0.1	V
V <sub>OD</sub>	Magnitude of differential output voltage  V <sub>A</sub> - V <sub>B</sub>	V <sub>O</sub>	I <sub>O</sub> = 0	1.5		6	V
			R <sub>L</sub> = 54 Ω, See Figure 8	1.5			V
Δ V <sub>OD</sub>	Change in differential voltage magnitude between logic states	V <sub>I</sub>   -  V <sub>I</sub>	R <sub>L</sub> = 54 Ω			0.1	V

(1) All typical values are measured with T<sub>A</sub> = 25°C and V<sub>CC</sub> = 5 V.

(2) This parameter is measured with only one output being driven at a time.

### Electrical Characteristics: Receiver

over recommended operation conditions (unless otherwise noted)

SYMBOL	PARAMETER	TEST CONDITIONS	MIN	TYP <sup>(1)</sup>	MAX	UNIT	
I <sub>CC</sub>	Supply current (total package)	DE = RE = 0 V, No Load			3.9	mA	
		RE = 5 V, DE = 0 V, No Load			300	μA	
I <sub>I</sub>	Input current	Other input = 0 V	V <sub>I</sub> = 12 V			250	μA
			V <sub>I</sub> = 12 V, V <sub>CC</sub> = 0			250	
			V <sub>I</sub> = -7 V	-200			
			V <sub>I</sub> = -7 V, V <sub>CC</sub> = 0	-200			
I <sub>OZ</sub>	High-impedance-state output current	V <sub>O</sub> = 0.4 V to 2.4 V			±100	μA	
V <sub>hys</sub>	Input hysteresis voltage			70		mV	
V <sub>IT+</sub>	Positive-going input threshold voltage				200	V	
V <sub>IT-</sub>	Negative-going input threshold voltage		-200			mV	
V <sub>OH</sub>	High-level output voltage	I <sub>OH</sub> = -8 mA, See Figure 11	2.8			V	
V <sub>OL</sub>	Low-level output voltage	I <sub>OL</sub> = 4 mA, See Figure 11			0.4	V	

(1) All typical values are at V<sub>CC</sub> = 5 V, T<sub>A</sub> = 25°C.



## Receiver Switching Characteristics

over recommended operating conditions (unless otherwise noted)

SYMBOL	PARAMETER	TEST CONDITIONS	MIN	TYP	MAX	UNIT
$t_{PLH}$	Propagation delay time, low-to-high-level output	$C_L = 50 \text{ pF}$ , See Figure 11			150	ns
$t_{PHL}$	Propagation delay time, high-to-low-level output				150	ns
$t_{sk(p)}$	Pulse skew ( $t_{PHL} - t_{PLH}$ )				50	ns
$t_r$	Rise time, single-ended	See Figure 11		20		ns
$t_f$	Fall time, single-ended			20		ns
$t_{PZH}$	Output enable time to high level	See Figure 12			100	ns
$t_{PZL}$	Output enable time to low level				100	ns
$t_{PHZ}$	Output disable time from high level				100	ns
$t_{PLZ}$	Output disable time from low level				100	ns

## TYPICAL CHARACTERISTICS

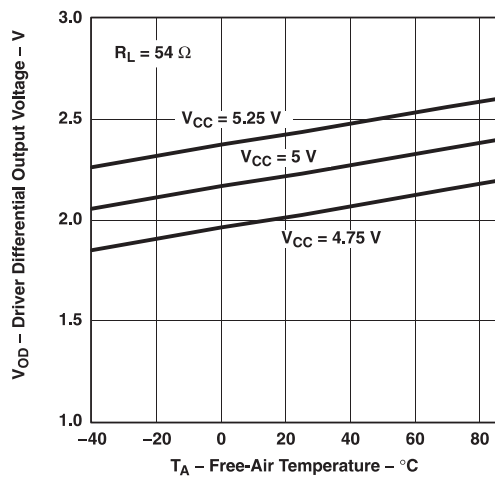


Figure 1. Driver Differential Output Voltage vs Free-Air Temperature

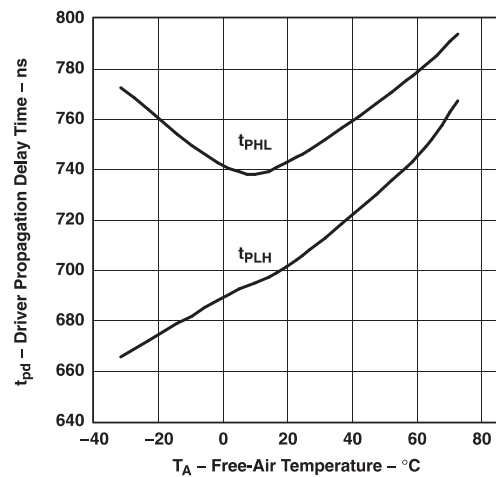


Figure 2. Driver Propagation Delay Time vs Free-Air Temperature

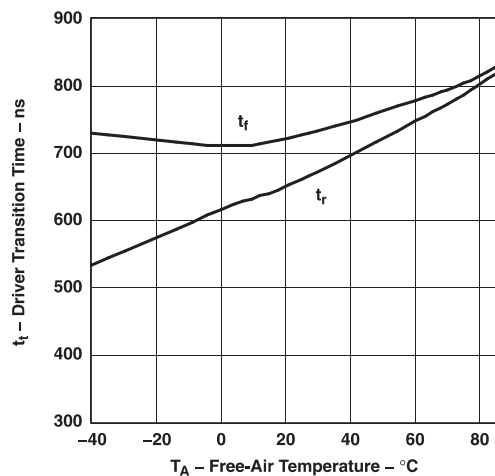


Figure 3. Driver Transition Time vs Free-Air Temperature

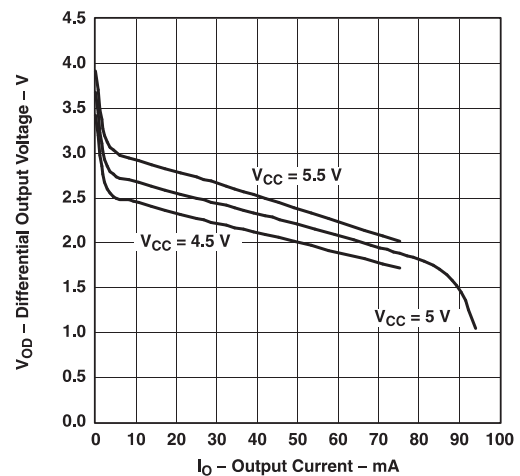


Figure 4. Differential Output Voltage vs Output Current

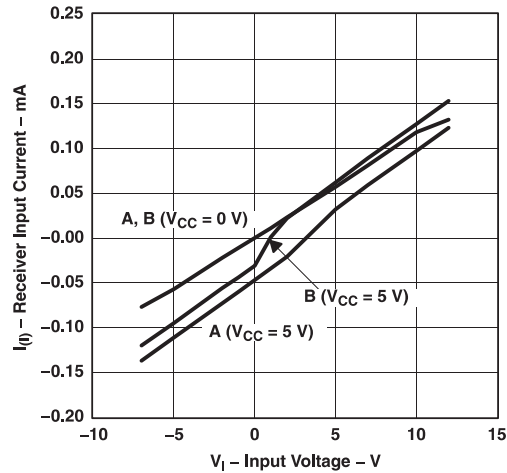
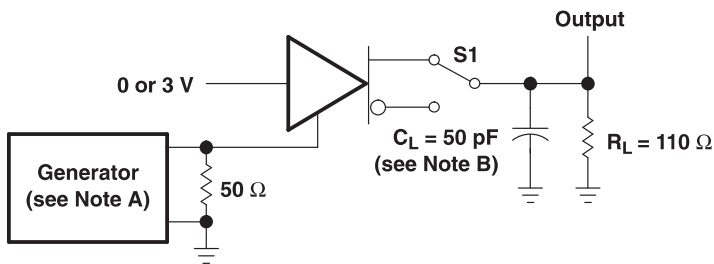
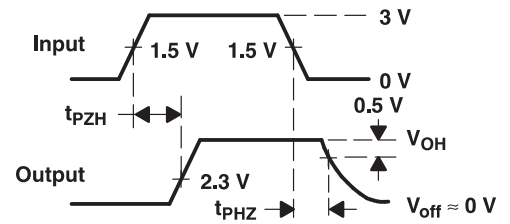


Figure 5. Receiver Input Current vs Input Voltage

## PARAMETER MEASUREMENT INFORMATION



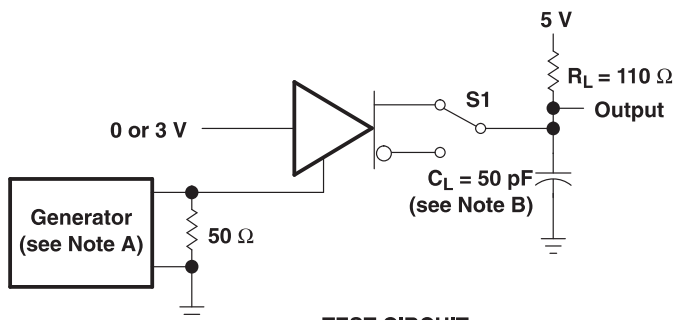
TEST CIRCUIT



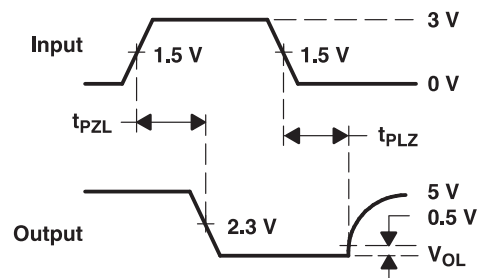
VOLTAGE WAVEFORMS

- The input pulse is supplied by a generator having the following characteristics: PRR = 1.25 kHz, 50% duty cycle,  $t_r \leq 10$  ns,  $t_f \leq 10$  ns,  $Z_O = 50 \Omega$ .
- $C_L$  includes probe and jig capacitance.

Figure 6. Driver  $t_{pZH}$  and  $t_{pHZ}$  Test Circuit and Voltage Waveforms



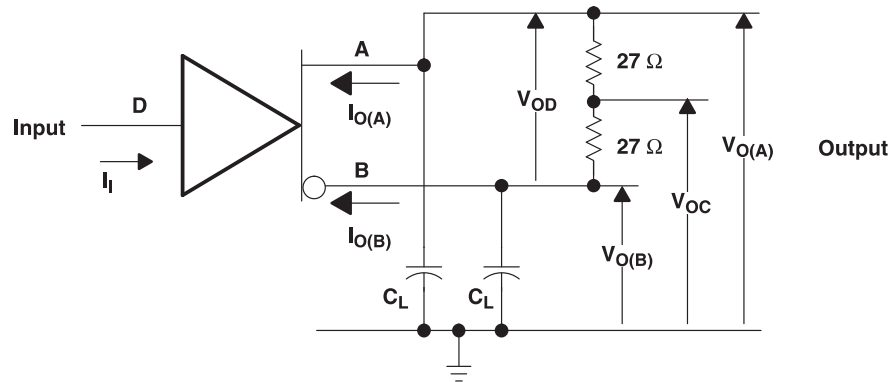
TEST CIRCUIT



VOLTAGE WAVEFORMS

- The input pulse is supplied by a generator having the following characteristics: PRR = 1.25 kHz, 50% duty cycle,  $t_r \leq 10$  ns,  $t_f \leq 10$  ns,  $Z_O = 50 \Omega$ .
- $C_L$  includes probe and jig capacitance.

Figure 7. Driver  $t_{pZL}$  and  $t_{pLZ}$  Test Circuit and Voltage Waveforms



- A. Resistance values are in ohms and are 1% tolerance.
- B.  $C_L$  includes probe and jig capacitance.

Figure 8. Driver Test Circuit, Voltage, and Current Definitions

### PARAMETER MEASUREMENT INFORMATION(CONTINUED)

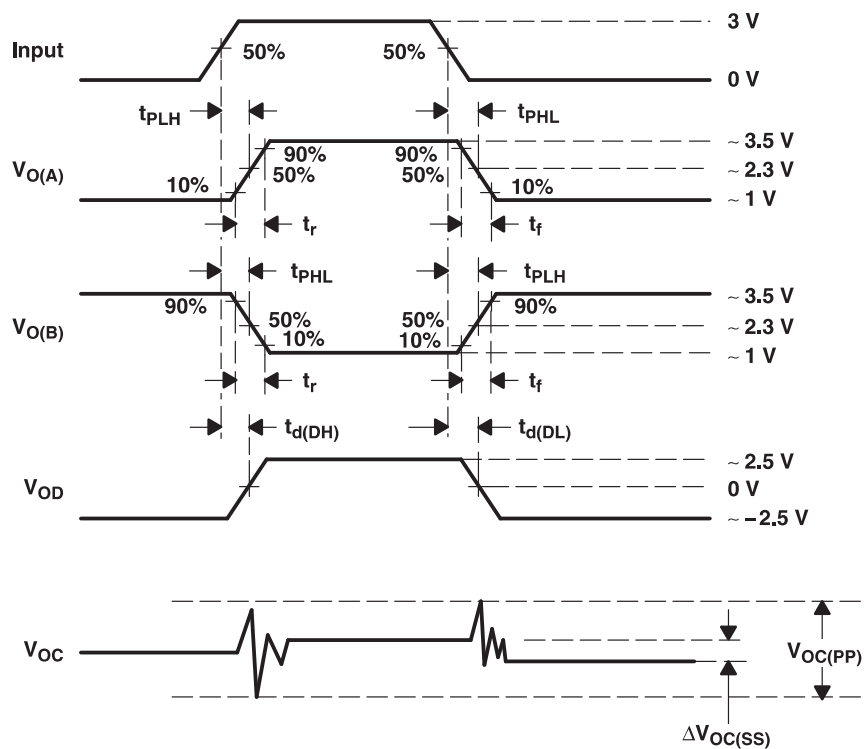
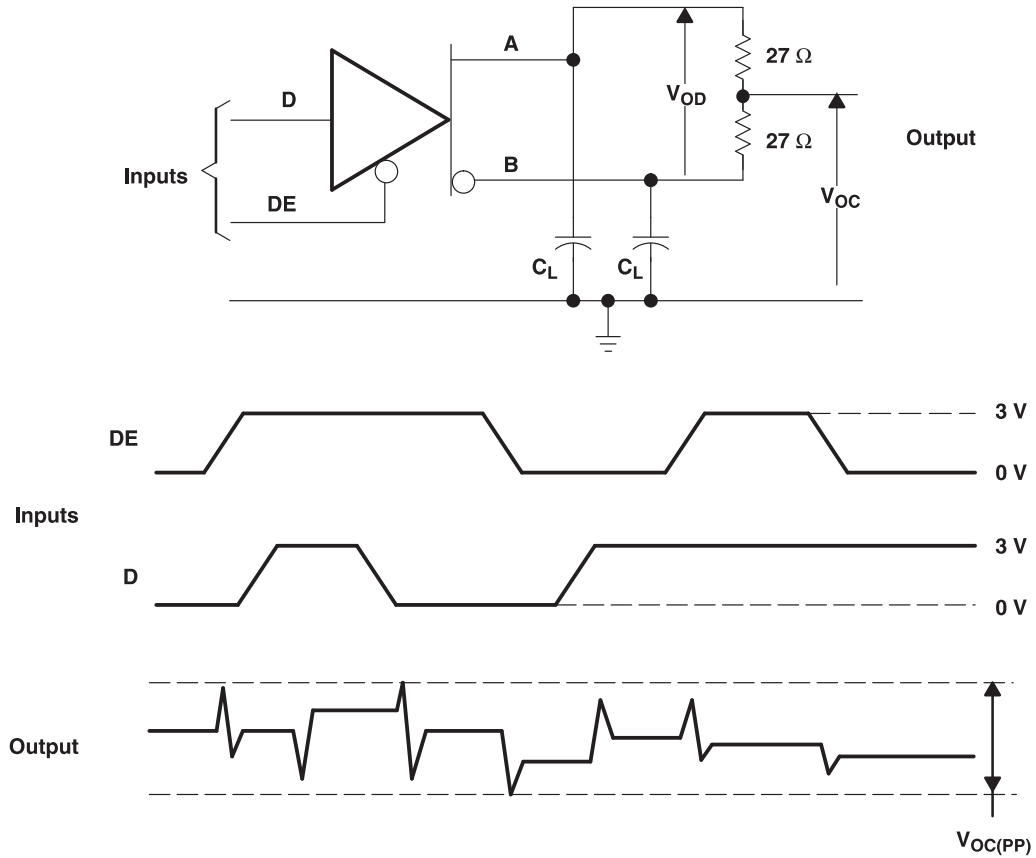


Figure 9. Driver Timing, Voltage, and Current Waveforms



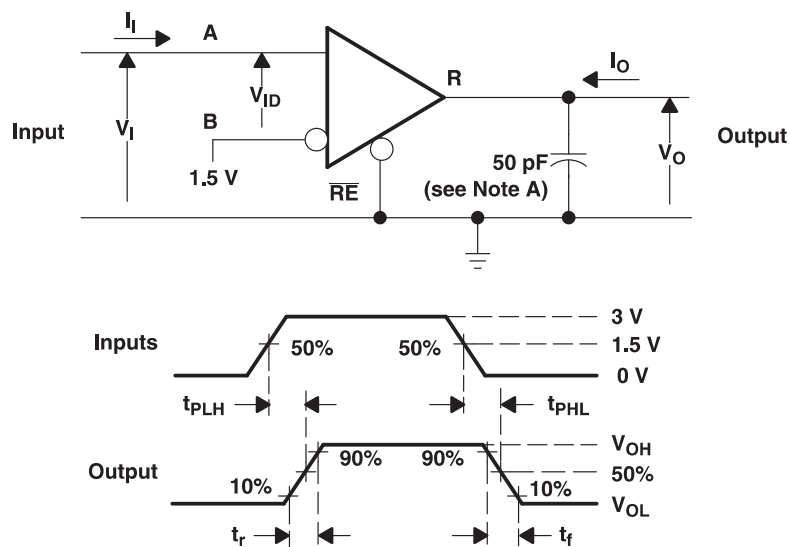


### PARAMETER MEASUREMENT INFORMATION(CONTINUED)



- A. Resistance values are in ohms and are 1% tolerance.
- B.  $C_L$  includes probe and jig capacitance ( $\pm 10\%$ ).

Figure 10. Driver  $V_{OC(PP)}$  Test Circuit and Waveforms

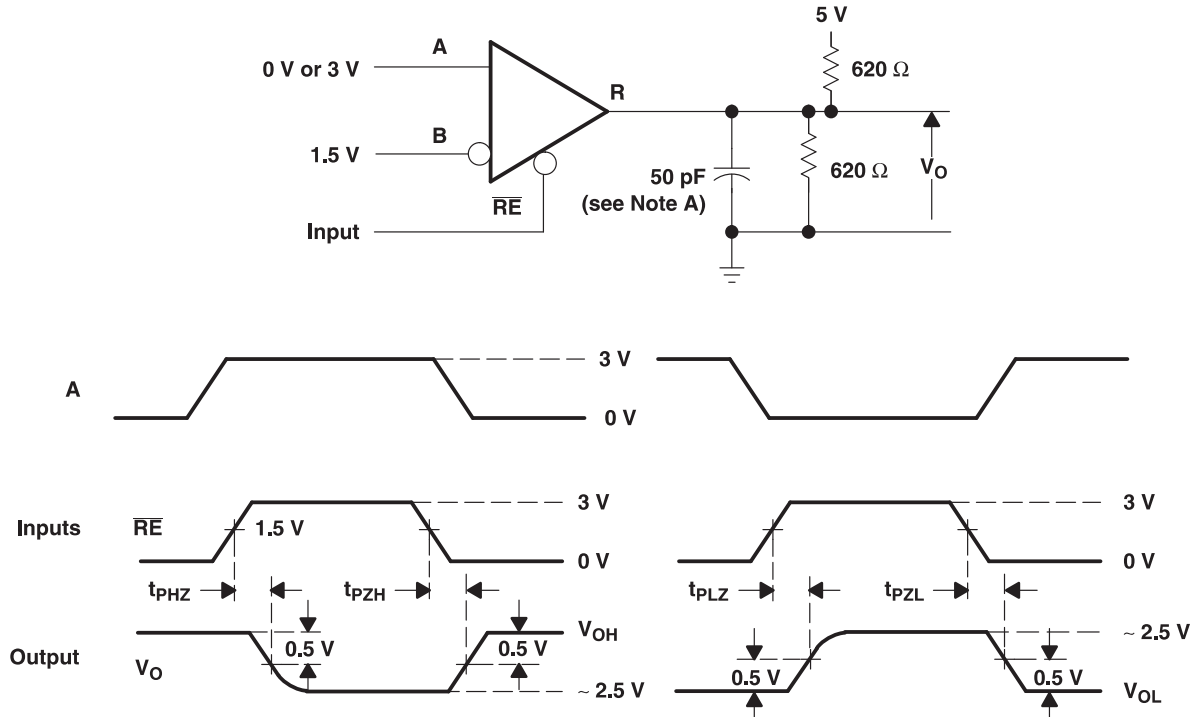


- A. This value includes probe and jig capacitance ( $\pm 10\%$ ).

Figure 11. Receiver  $t_{PLH}$  and  $t_{PHL}$  Test Circuit and Voltage Waveforms



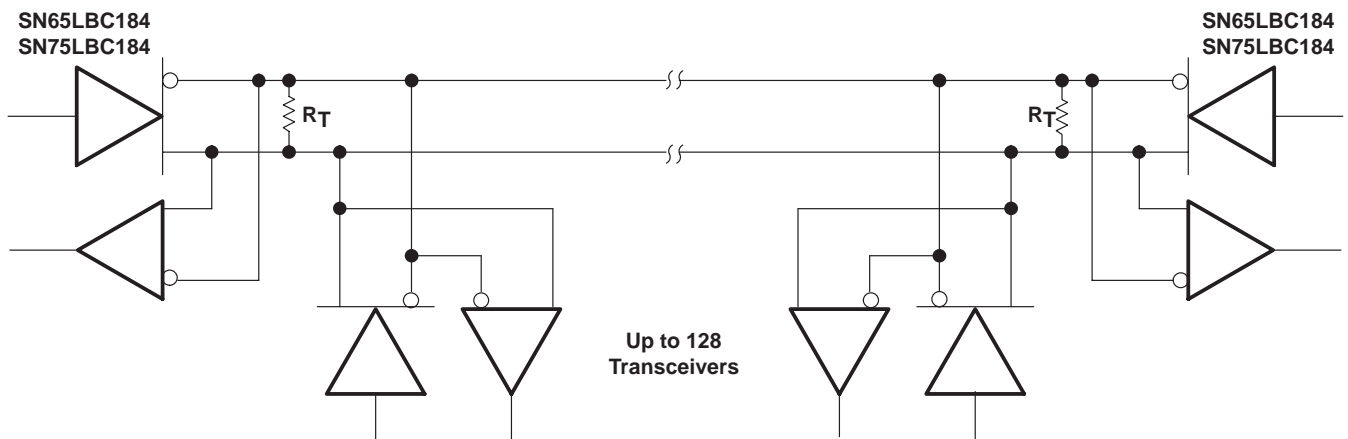
## PARAMETER MEASUREMENT INFORMATION(CONTINUED)



A. This value includes probe and jig capacitance ( $\pm 10\%$ ).

Figure 12. Receiver  $t_{PZL}$ ,  $t_{PLZ}$ ,  $t_{PZH}$ , and  $t_{PHZ}$  Test Circuit and Voltage Waveforms

## APPLICATION INFORMATION



NOTE A: The line should be terminated at both ends in its characteristic impedance ( $R_T = Z_0$ ). Stub lengths off the main line should be kept as short as possible.

Figure 13. Typical Application Circuit



## SN65LBC184 TEST DESCRIPTION

The SN65LBC184 is tested against the IEC 61000-4-5 recommended transient identified as the combination wave. The combination wave provides a 1.2-/50- $\mu$ s open-circuit voltage waveform and a 8-/20- $\mu$ s short-circuit current waveform shown in Figure 14. The testing is performed with a combination/hybrid pulse generator with an effective output impedance of 2  $\Omega$ . The setup for the overvoltage stress is shown in Figure 15 with all testing performed with power applied to the SN65LBC184 circuit.

### NOTE

High voltage transient testing is done on a sampling basis.

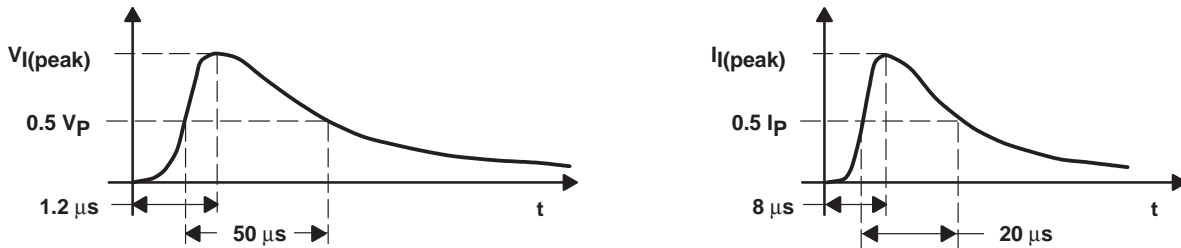


Figure 14. Short-Circuit Current Waveforms

The SHN65LBC184 is tested and evaluated for both maximum (single pulse) as well as life test (multiple pulse) capabilities. The SN65LBC184 is evaluated against transients of both positive and negative polarity and all testing is performed with the worst-case transient polarity. Transient pulses are applied to the bus pins (A & B) across ground as shown in Figure 15.

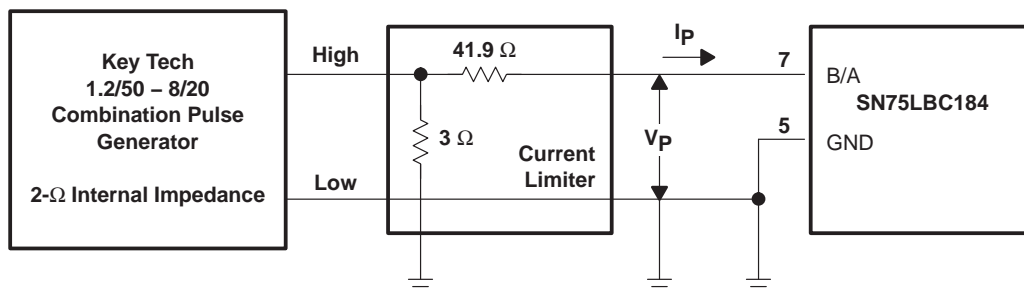


Figure 15. Overvoltage-Stress Test Circuit

An example waveform as seen by the SN65LBC184 is shown in Figure 16. The bottom trace is current, the middle trace shows the clamping voltage of the device and the top trace is power as calculated from the voltage and current waveforms. This example shows a peak clamping voltage of 16 V, peak current of 33.6 A yielding an absorbed peak power of 538 W.

### NOTE

A circuit reset may be required to ensure normal data communications following a transient noise pulse of greater than 250 W peak.

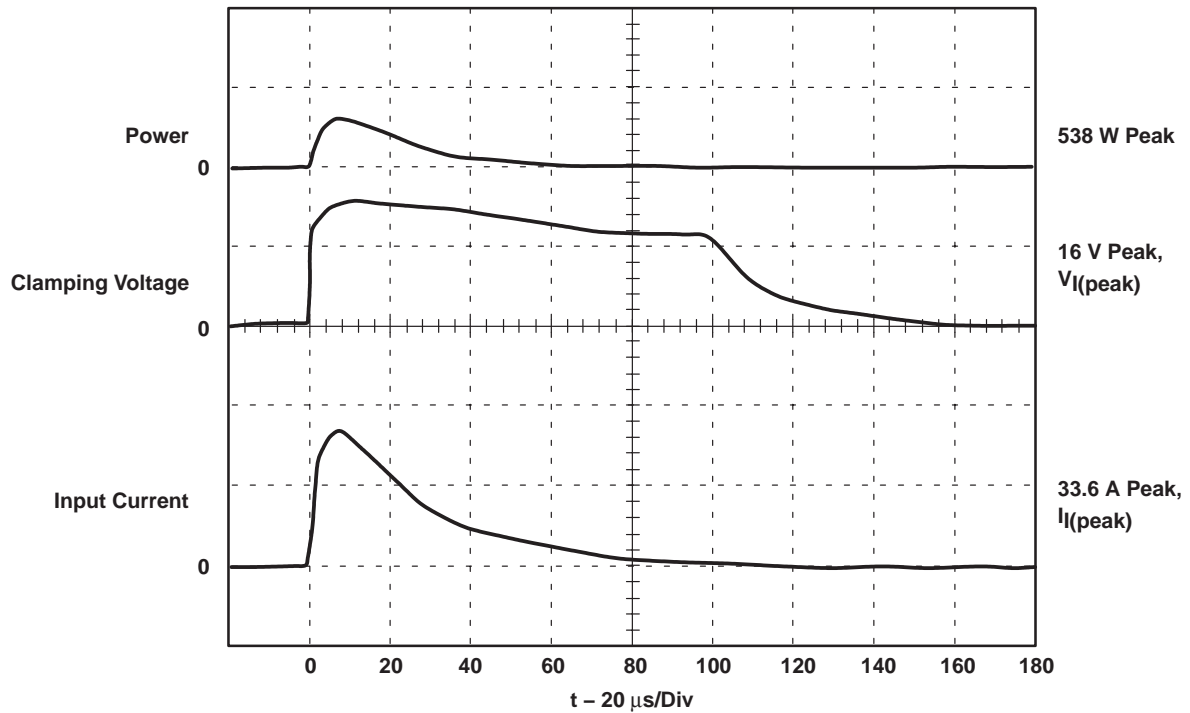


Figure 16. Typical Surge Waveform Measured At Terminals 5 and 7

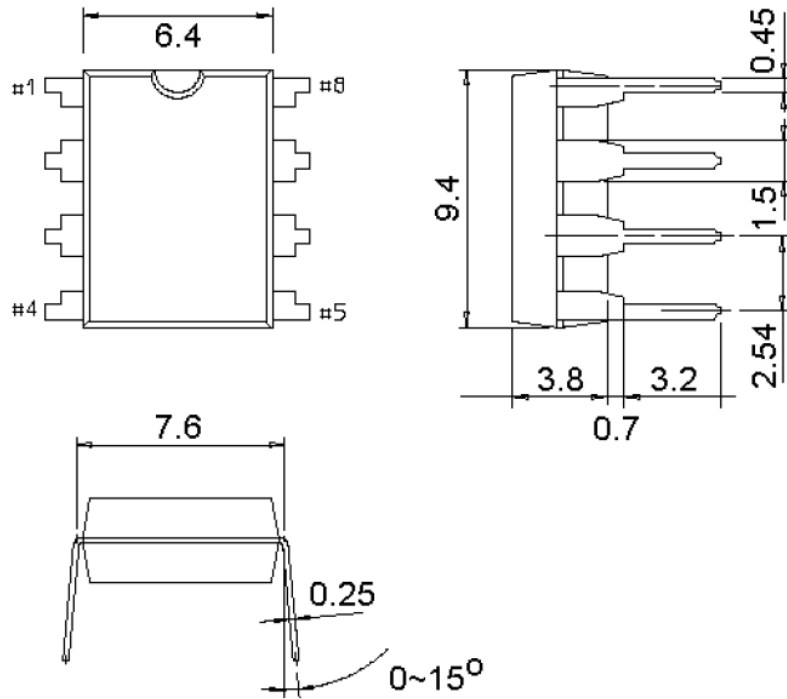
## ORDERING INFORMATION

Package	Oder No.	Compliance	Operating temperature	Supplied As
SOP-8	SN65LBC184DR	RoHS, Green	-40°C to +85°C	Tube
DIP-8	SN65LBC184N	RoHS, Green	-40°C to +85°C	Tube
SOP-8	SN75LBC184DR	RoHS, Green	-0°C to +70°C	Tube
DIP-8	SN75LBC184N	RoHS, Green	-0°C to +70°C	Tube

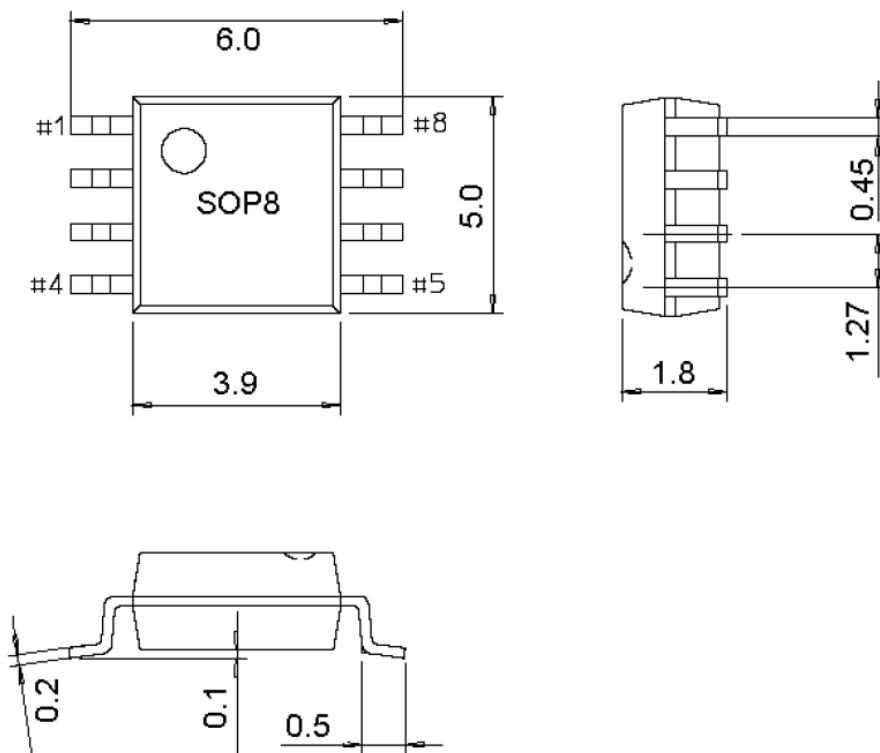


## PACKAGE OUTLINE DIMENSIONS

### DIP-8



### SOP-8(SOIC-8)





### Attention

- Any and all HUA XUAN YANG ELECTRONICS products described or contained herein do not have specifications that can handle applications that require extremely high levels of reliability, such as life-support systems, aircraft's control systems, or other applications whose failure can be reasonably expected to result in serious physical and/or material damage. Consult with your HUA XUAN YANG ELECTRONICS representative nearest you before using any HUA XUAN YANG ELECTRONICS products described or contained herein in such applications.
- HUA XUAN YANG ELECTRONICS assumes no responsibility for equipment failures that result from using products at values that exceed, even momentarily, rated values (such as maximum ratings, operating condition ranges, or other parameters) listed in products specifications of any and all HUA XUAN YANG ELECTRONICS products described or contained herein.
- Specifications of any and all HUA XUAN YANG ELECTRONICS products described or contained herein stipulate the performance, characteristics, and functions of the described products in the independent state, and are not guarantees of the performance, characteristics, and functions of the described products as mounted in the customer's products or equipment. To verify symptoms and states that cannot be evaluated in an independent device, the customer should always evaluate and test devices mounted in the customer's products or equipment.
- HUA XUAN YANG ELECTRONICS CO.,LTD. strives to supply high-quality high-reliability products. However, any and all semiconductor products fail with some probability. It is possible that these probabilistic failures could give rise to accidents or events that could endanger human lives, that could give rise to smoke or fire, or that could cause damage to other property. When designing equipment, adopt safety measures so that these kinds of accidents or events cannot occur. Such measures include but are not limited to protective circuits and error prevention circuits for safe design, redundant design, and structural design.
- In the event that any or all HUA XUAN YANG ELECTRONICS products(including technical data, services) described or contained herein are controlled under any of applicable local export control laws and regulations, such products must not be exported without obtaining the export license from the authorities concerned in accordance with the above law.
- No part of this publication may be reproduced or transmitted in any form or by any means, electronic or mechanical, including photocopying and recording, or any information storage or retrieval system, or otherwise, without the prior written permission of HUA XUAN YANG ELECTRONICS CO.,LTD.
- Information (including circuit diagrams and circuit parameters) herein is for example only ; it is not guaranteed for volume production. HUA XUAN YANG ELECTRONICS believes information herein is accurate and reliable, but no guarantees are made or implied regarding its use or any infringements of intellectual property rights or other rights of third parties.
- Any and all information described or contained herein are subject to change without notice due to product/technology improvement, etc. When designing equipment, refer to the "Delivery Specification" for the HUA XUAN YANG ELECTRONICS product that you intend to use.