

| NO. | PART NO. | NAME | MATERIAL | COLOR | QTY |
|-----|--------------|--------------------------------|-------------------|-------|------|
| 1 | APG-C0300000 | USB A/F 接口10.00(个)A型(1.00(个)B) | Copper Alloy/SPCC | | 1PCS |
| 2 | APG-10000000 | USB A/F 接口10.00(个)C | PBT | | 1PCS |
| 3 | APG-20000000 | USB A/F 90° 接口端子(2.55(个)B) | Copper Alloy | | 4PCS |

NOTES:

1. MATERIAL SPECIFICATION

- 1) INSULATION MATERIAL: THERMOPLASTIC.
- 2) SHELL: COPPER ALLOY/SPCC, T:0.30mm

PLATING: NICKEL

- 3) TERMINAL: COPPER ALLOY, T:0.25mm

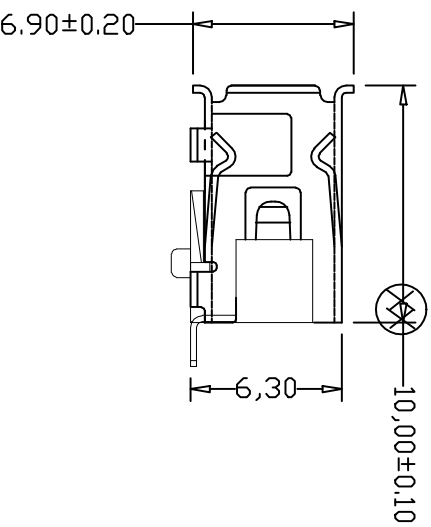
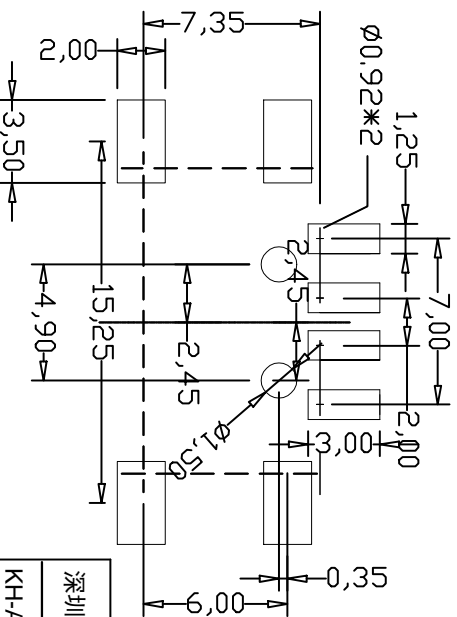
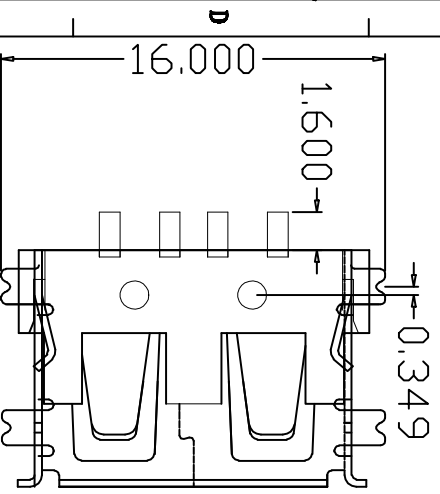
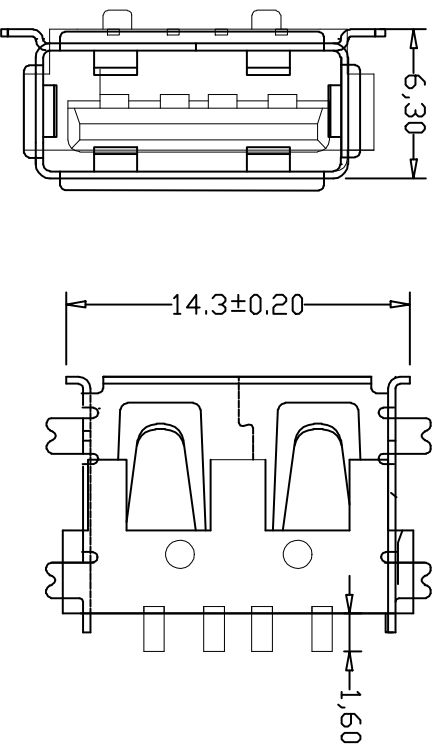
2. ELECTRICAL CHARACTERISTICS:

- 1) INSULATION RESISTANCE: 1000MΩ MIN.
- 2) CONTACT RESISTANCE: 30mΩ MAX.
- 3) WITHSTANDING VOLTAGE: 500V AC.

3. MECHANICAL CHARACTERISTICS:

- 1) INSERTION FORCE: 3.57kgf MAX.
- 2) EXTRACTON FORCE: 1.02kgf MIN.

ORDERING INFORMATION



| TOLERANCE | | | | | |
|-----------|--------|--------|--------|--------|------|
| | I. | I.X | I.XI | I.XII | I.X° |
| A | ± 0.20 | ± 0.10 | ± 0.06 | ± 0.03 | ± 1° |
| B | ± 0.50 | ± 0.20 | ± 0.10 | ± 0.05 | ± 2° |
| C | ± 0.30 | ± 0.40 | ± 0.20 | ± 0.10 | ± 3° |

| | | | | | | | |
|------------------------|--|----------------|--|-----------------------|--|--------------|--|
| 深圳市金航标电子有限公司 | | WWW.BDS666.COM | | DRAWING BY | | Brand/Model: | |
| KH-AF90QSM-T-10UB-H6.3 | | 0755-83044319 | | CHECK BY | | PART NAME: | |
| MATERIAL: | | UNIT: | | THIRD ANGLE | | APPROVED | |
| SUPERFICTHS: | | SCALE: | | DATE: | | DRAWING NO. | |
| COLOR: | | REV: | | USER'S OR TOOLING NO. | | | |