

RP359 Series

3-Phase Delta Compact Multi-Stage High Current EMI Power Line Filter

RP359 3PHASE DELTA TO 2500A

ROHS COMPLIANT



SPECIFICATIONS

Operating Freq.	: 50/60Hz
Usable Freq.	: DC - 400Hz
Max. Operating Voltage	: 520VAC (480V +10%)
Ambient Temperature	: -25 to 50C
Climatic Category	: 25/100/21
Hipot Rating (L-G)	: 3500VDC
Terminals (-T)	: S: 150/180/250A (M10) B: 320/400A (6x25) 600A (8x25) 800/1000A (8x40) 1500A (10x60) 2500 (15x70)
Safety Approvals	: cURus, EN60939

LEAKAGE CURRENT

Y-cap, nF	mA, 480V/60Hz
0	0
10	0.1
100	1
1000	10
2000	20

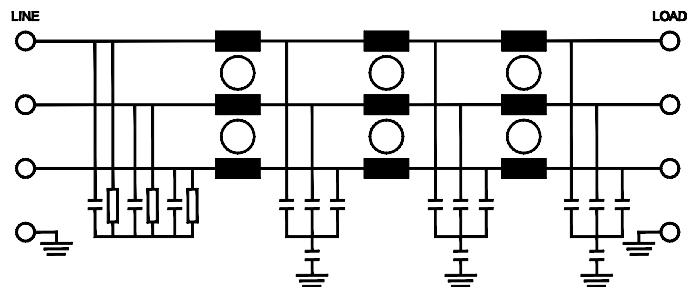
PART NUMBER/ ORDERING

RP359	-X (Amps)	-Y (Ycap, nF)	-T	Weight LBS (KG) Typ.
	150	0	S	14.7 (6.7)
	180	10		14.7 (6.7)
	250	100		19.5 (8.8)
	320	1000	B	25.0 (11.3)
	400	2000		25.0 (11.3)
	600			26.0 (11.8)
	800			26.0 (11.8)
	1000			39.0 (17.7)
	1600			39.0 (17.7)
	2500			39.0 (17.7)

TYPICAL INSERTION LOSS, dB (50/50ohm)

FREQ (MHz)	.15	.5	1	10	30
CM (dB)	65	80	80	40	20
DM (dB)	65	65	60	35	20

SCHEMATIC



Note: Use any combination of -Y with any -X (Amps) rating
e.g. RP359-600-100-B (600 Amps with 100nF Ycap)

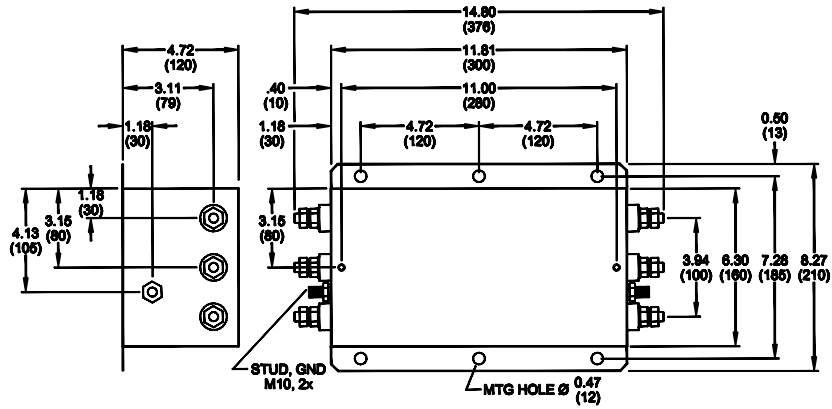
Reference purposes only.
Specifications are subject to change.
Consult factory to verify specifications.

www.radiuspower.com

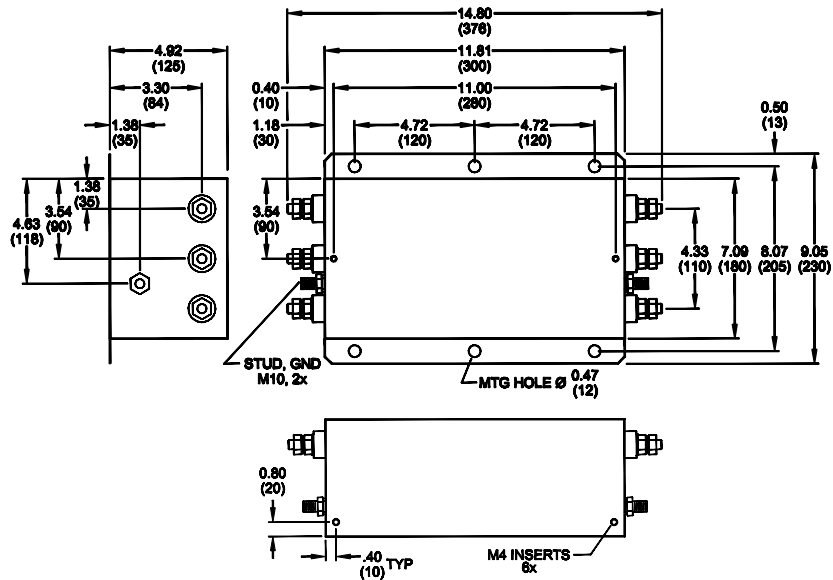
Engineering Assistance: engg@radiuspower.com
Sales: sales@radiuspower.com

**RP359 Series
Mechanical Dimensions**

150/180A



250A



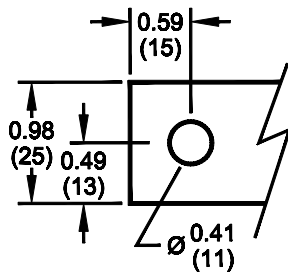
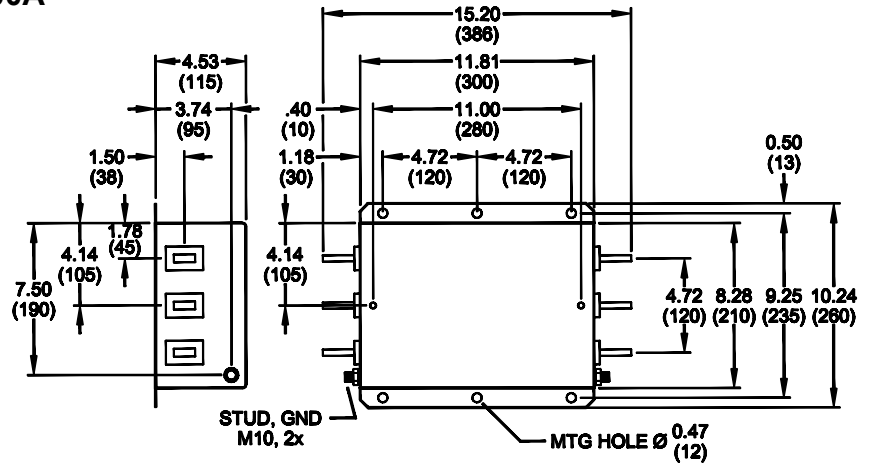
TYPICAL TOLERANCE: +/-0.02 (0.50)

M4 LOCATION TYP. FOR RP359 STUD VERSIONS ONLY

Reference purposes only.
Specifications are subject to change.
Consult factory to verify specifications.

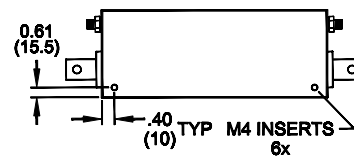
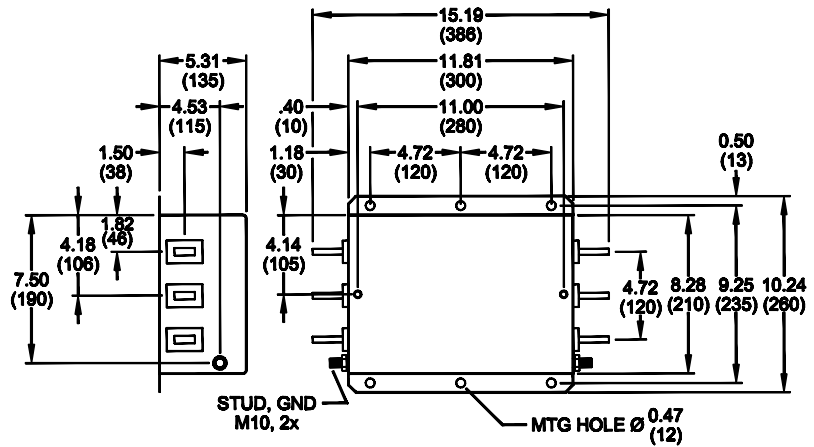
**RP359 Series
Mechanical Dimensions**

320/400A



320/400A BUS BAR: 6x25
600A BUS BAR: 8x25

600A



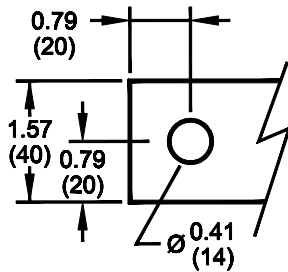
TYPICAL TOLERANCE: ± 0.02 (0.50)

M4 LOCATION TYP. FOR RP359 BUS BAR VERSIONS ONLY

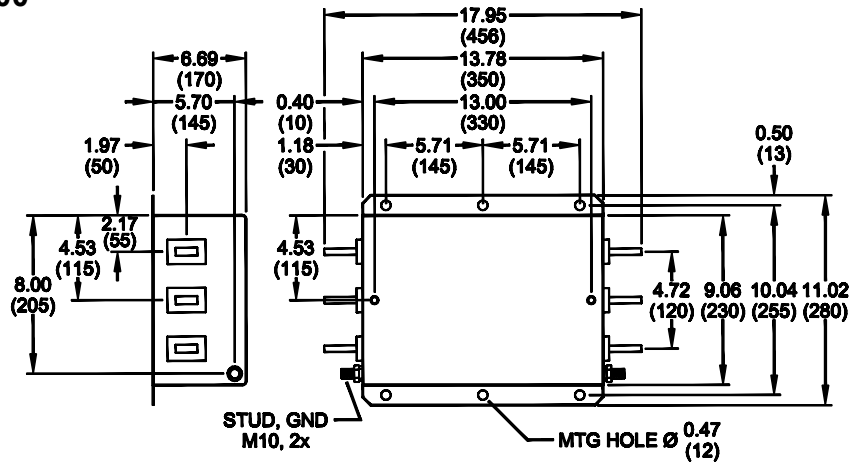
**RP359 Series
Mechanical Dimensions**

800/1000

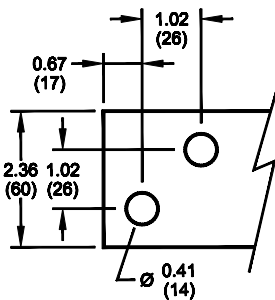
BUS BAR DETAIL



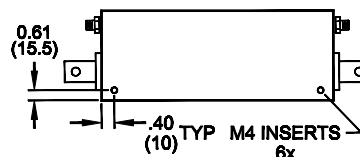
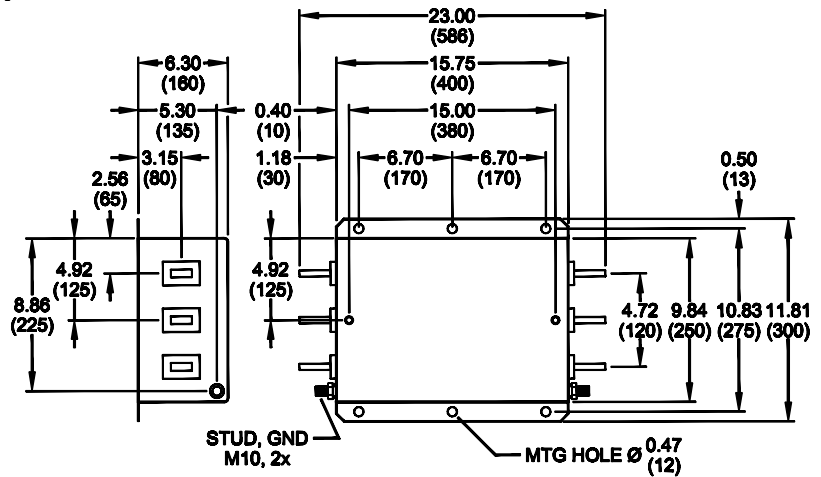
800/1000A BUS BAR: 8x40



1600A



1600A BUS BAR: 10x60

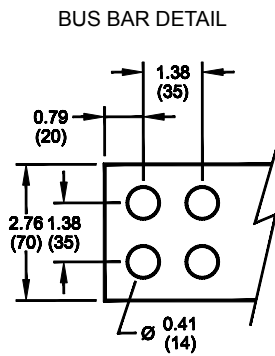


TYPICAL TOLERANCE: +/-0.02 (0.50)

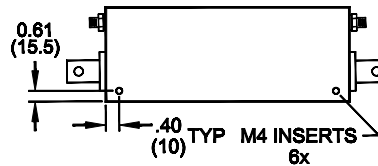
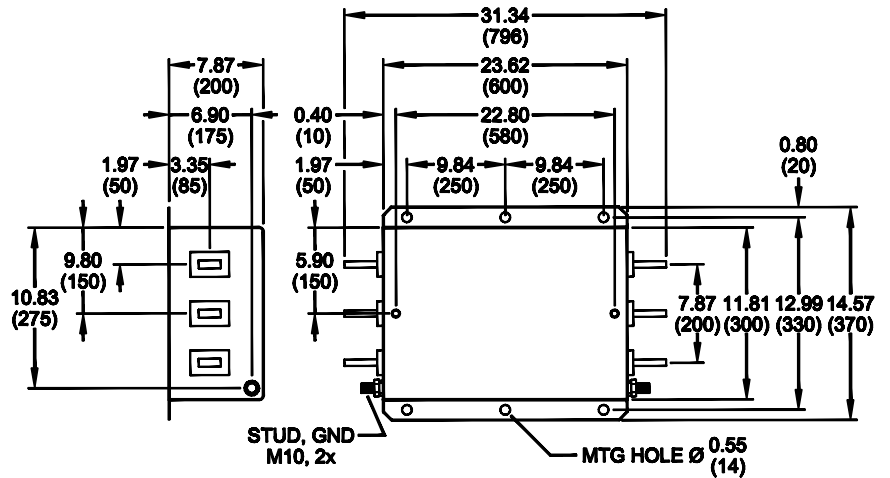
M4 LOCATION TYP. FOR RP359 BUS BAR VERSIONS ONLY

**RP359 Series
Mechanical Dimensions**

2500A



2500A BUS BAR: 15x70



TYPICAL TOLERANCE: +/-0.02 (0.50)

M4 LOCATION TYP. FOR RP359 BUS BAR VERSIONS ONLY

Reference purposes only.
Specifications are subject to change.
Consult factory to verify specifications.

Mouser Electronics

Authorized Distributor

Click to View Pricing, Inventory, Delivery & Lifecycle Information:

[Astrodyne TDI:](#)

[RP359-150-1000-S](#) [RP359-250-1000-S](#) [RP359-600-2000-B](#) [RP359-400-2000-B](#) [RP359-180-1000-S](#) [RP359-2500-2000-B](#) [RP359-800-2000-B](#) [RP359-1000-2000-B](#) [RP359-320-2000-B](#) [RP359-1600-2000-B](#) [RP359-400-100-B](#)
[RP359-1000-1000-B](#) [RP359-600-1000-B](#) [RP359-250-2000-S](#) [RP359-400-1000-B](#) [RP359-1600-1000-B](#)