

# RP130 Series

## High Performance Single Stage Power Line Filters



### 3 A to 40 A Chassis Mount Filter

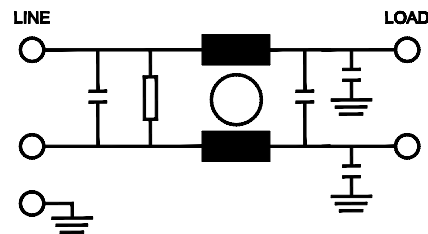
#### Specifications

Operating Frequency	50/60 Hz
Usable Frequency	DC - 400 Hz
Max. Operating Voltage*	250 V +10%
Ambient Temperature	-25 to 40°C
Climatic Category	25/100/21
Hipot Rating (L-G)	2700 VDC
Terminals (-T)	QD: 0.25 Tab (3-20 A) S: 30/40 A (M5)
Safety Approvals	cURus, EN60939

\*Available up to 300 VAC. Please contact us to verify specifications.



#### Electrical Schematic



#### Part Number/Ordering

RP130	-X (Amps)	-Y (Ycap, nF)	-T	Typ. Weight, lbs (kg)
	3	0	QD	0.3 (0.1)
	6	0.47	QD	0.3 (0.1)
	10	1	QD	0.8 (0.4)
	20	2.2	QD	0.8 (0.4)
	30	4.7	S	1.6 (0.7)
	40	10	S	1.6 (0.7)
		22	S	
		100		

**Note:** Use any combination of -Y with any -X (Amps) rating  
e.g. RP130-10-0-QD (10 Amps with no Y-Cap)

Specifications are subject to change. Consult factory to verify specifications.

For more information on our filter products call us at: (800) 527-4362 or (714) 289-0055  
LCR, Radius Power, and Filter Concepts are now part of Astrodyne TDI

# RP130 Series

## High Performance Single Stage Power Line Filters



### 3 A to 40 A Chassis Mount Filter

#### Typical Insertion Loss, dB (50/50 Ohm)

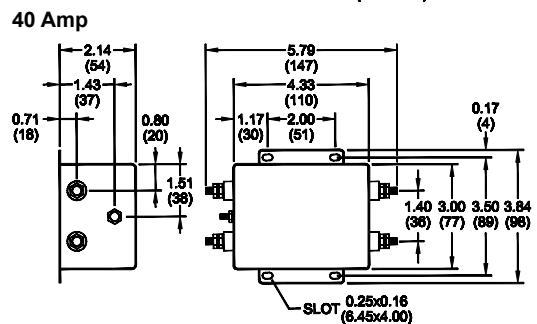
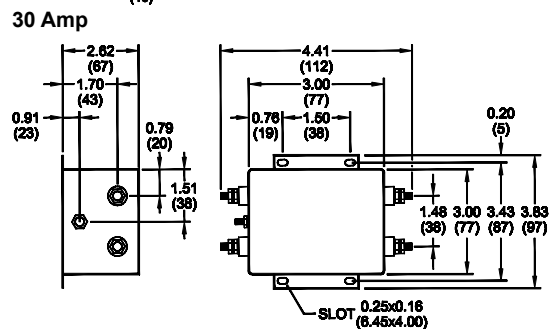
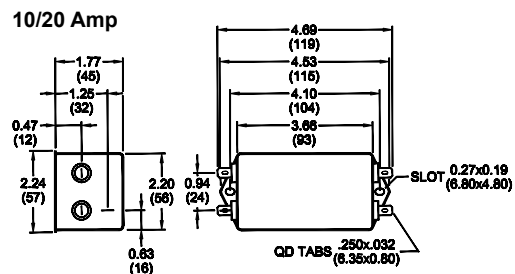
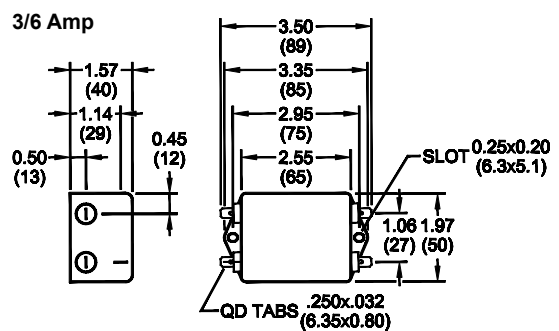
Freq (MHz)	0.15	0.5	1.0	10	30
<b>3 Amp</b>					
CM(dB)	48	50	50	52	45
DM(dB)	62	80	80	65	70
<b>6 Amp</b>					
CM(dB)	44	50	52	50	46
DM(dB)	52	70	70	65	65
<b>10 Amp</b>					
CM(dB)	38	48	44	45	46
DM(dB)	54	70	70	57	60
<b>20 Amp</b>					
CM(dB)	32	40	40	40	52
DM(dB)	52	70	70	70	60
<b>30 Amp</b>					
CM(dB)	16	28	32	52	40
DM(dB)	13	60	60	45	45
<b>40 Amp</b>					
CM(dB)	23	42	44	50	32
DM(dB)	30	65	65	58	50

#### Leakage Current

Y-cap, nF	mA, 120 V/60 Hz	mA, 250 V/60 Hz
0	0.0	0.0
0.47	0.04	0.08
1	0.09	0.18
2.2	0.2	0.4
4.7	0.4	0.8
10	0.9	1.8
22	2.0	4.0
100	9.0	18.0

#### Mechanical Dimensions

TYPICAL TOLERANCE: +/-0.02" (0.50 mm)



Specifications are subject to change. Consult factory to verify specifications.

For more information on our filter products call us at: (800) 527-4362 or (714) 289-0055  
LCR, Radius Power, and Filter Concepts are now part of Astrodyne TDI

# Mouser Electronics

Authorized Distributor

Click to View Pricing, Inventory, Delivery & Lifecycle Information:

## Astrodyne TDI:

[RP130-10-2.2-QD](#) [RP130-30-4.7-S](#) [RP130-10-0-QD](#) [RP130-10-2.2-W](#) [RP130-10-3.3-W](#) [RP130-6-3.3-W](#) [RP130-20-4.7-S](#) [RP130-6-3.3-QD](#) [RP130-20-10-S](#) [RP130-3-3.3-QD](#) [RP130-10-3.3-QD](#) [RP130-3-3.3-W](#) [RP130-3-0-QD](#) [RP130-40-10-S](#) [RP130-3-0-W](#) [RP130-6-4.7-QD](#) [RP130-6-0-QD](#) [RP130-30-10-S](#) [RP130-10-0-W](#) [RP130-3-4.7-QD](#) [RP130-10-10-W](#) [RP130-10-4.7-QD](#) [RP130-6-0-W](#) [RP130-10-4.7-W](#) [RP130-10-10-QD](#)