

SAMZO

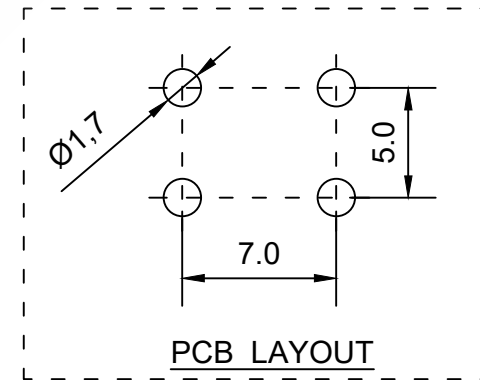
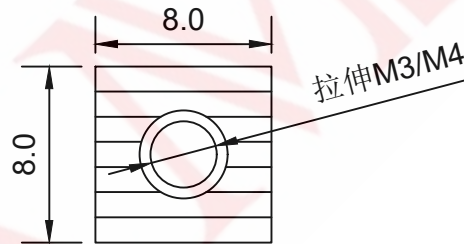
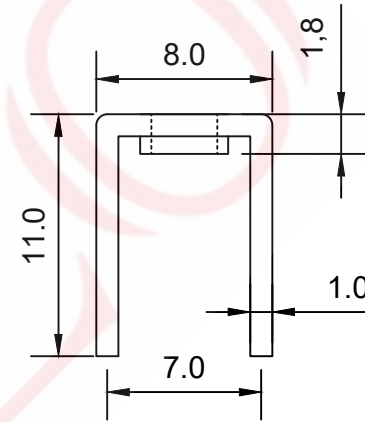
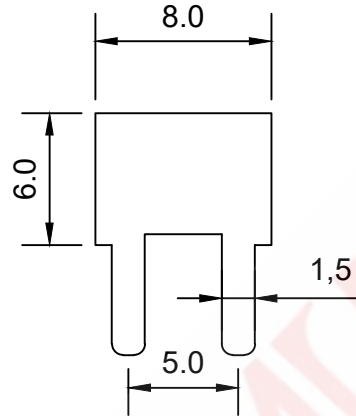
REAC/ROHS

REV	ECN NO	DESCRIPTION	DESIGN	APPROVAL	DATE
A1	NEW	Replace frame			2018.06.12

技术要求:

Technical requirements:

- 打铜底0.5-1UM, 镍底2-2.5UM, 哑锡3-5UM。  
Copper base 0.5 - 1 UM, nickel base 2 - 2.5 UM, matte tin 3 - 5 UM.
- 不得有脚变形, 毛刺等缺陷。  
There shall be no defects such as pin deformation and burrs.
- 插脚尖部符合可焊性要求。  
The tip of the insertion pin shall meet the solderability requirements.
- 螺纹需符合通止规要求。  
The thread shall meet the requirements of the go and no-go gauge.
- 材质: 黄铜H65。  
Material: Brass H65.
- 过载电流: 45A  
Overload current: 45A
- 螺孔为拉伸M3/M4  
The screw holes are press-rieveted M3/M4
- 未标注尺寸公差值按GB/T1184-1996H级  
Unmarked dimensional tolerance values are in accordance with Grade H of GB/T1184-1996



80 60 50 0 M\*

SERISE: 8.0\*8.0mm  
HIGH: H6.0mm  
FOOT HIGH: H5.0mm  
CUSTOM CODE: ROUTINE  
SCREW HOLE: M3/M4

ITEM	DESCRIPTION	MATERIAL	QTY	FINISH/COLOR	DESIGN	DATE	FINISH	TOLERANCE
A	Subject	H62(Y2)	1	tin plating	WANGGUIFA	2018.06.12	≥0~2<	±0.15
GENERAL TOLERANCE								
							≥2~5<	±0.25
							≥0~2<	±0.15
F					LILIANJIANG	2018.06.14	≥5	±0.35

FIRST VIEW

SCALE: 1:1 UNIT: mm

**SAMZO COMPONENTS**  
Electronic switch and connector manufacturer

The copyright belongs to samzo parts [China] Co., Ltd. please use the material after samzo parts agree to authorize. The final right of interpretation belongs to samzo parts.  
WWW.KKK-JP.COM

TITLE: 8*8-H6+5mm (M3/M4)
DWG NO: 08-P004
PART NO: 08-2305171
MODEL NO: 8060500-M*
NAME: PCB soldering terminal