

Spacial SF/SM launch and new referencing system

Schneider Electric Universal Enclosures

November 2009



Schneider Electric Universal Enclosures

The specialist in sealed equipment

What is the mission of Schneider Electric Universal Enclosures?

- > Schneider Electric Universal Enclosures has the mission to develop and be in charge of the Universal Enclosure Business for the Schneider Electric Group.
- > Schneider Electric Universal Enclosures is based on two historical companies created in 1958, Himel with origin in Spain and Sarel with origin in France. Both companies have developed more than 50 years of experience in the design, manufacturing and marketing of universal enclosures systems.
- > Himel and Sarel brands are going to migrate within Schneider Electric which is an ambitious corporate project that will make everyone's day-to-day work easier, both clients and collaborators.

Why do we migrate our brands?

Here are some of the benefits of working with a single brand:

- > Our daily work will be simpler, it is easier to deal with a single brand and with common documentation and resources.
- > Your clients will recognize our product offer and ranges better thanks to a single packing and communication focused on Schneider Electric.
- > It will be much easier to create solutions based on the products of a single brand.

What is good for Schneider Electric is also good for our clients and collaborators!

- > **The scope of this guide is limited to the ranges migrating last quarter of 2009. These ranges are Floor Standing, Control Desks, Thermal offer, Stainless Steel and Plastic Industrial Boxes.**



Customer needs



Brand migration



Schneider Electric
Solutions

How will be the migration process?

The migration process of the ranges in the scope of this guide will be conducted in a range-by-range basis during the last quarter of 2009, and each one of the range migrations will be performed in two phases:

Phase 1: new packing

This phase began in the second half of 2009, and will focus on harmonizing the packing with Schneider Electric.

Phase 2: new product marking

As of the fourth quarter of 2009, some product families will start to carry the Schneider Electric logo. This process will be performed progressively range by range.

- > To guarantee a global offer and a harmonized coding and marking system, we are also going to change our references for all our ranges.

Spacial SF/SM launch and new referencing system

Schneider Electric Universal Enclosures

November 2009



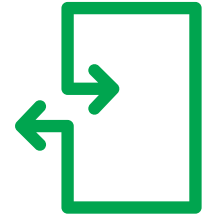
1	New Spacial floor-standing range	4
	Spacial SF Suitable enclosure	6
	Spacial SM Compact enclosure	10
	Spacial SF and SM selection guide	14
2	Control Desks	
	Spacial SD	18
3	Stainless-steel enclosures	
	Spacial S3X Wall-mounting enclosure	22
	Spacial SMX monobloc floor-standing enclosures	24
	Spacial SFX Suitable floor-standing enclosure	25
	Accessories for Spacial SMX y SFX	26
	PC racks	27
4	Thermoplastic industrial boxes	
	Thalassa TBS and TBP	28
5	Climasys Thermal management	31
	Ventilation system	34
	Cooling unit	36
	New SLIM versions 	37
	Air-water exchanger	38
	Air-air exchanger	39
	Resistance heaters	40
	Thermal control	41
	New electronic versions 	42
	Cross reference table	43



Spacial SF

Enclosures adapted to your needs

Spacial SF is the most versatile suitable enclosure on the market, designed to remove limitations, regardless of what your project is. You have access to more than 70 dimensions with the assembled version and the possibility of up to 600 different combinations using the kit version.



versatility



time



Spacial SM

The fastest and safest compact solution

Spacial SM is the compact solution. A robust enclosure ready to assemble. Moreover, it has the widest dimensional range on the market.



efficiency



service

Maximum modularity

With Spacial SF you can combine doors and panels in any position and opening direction and have all kinds of configurations (U, T, L, etc.).

Optimal accessibility

Since you can assemble side and rear doors you can access the inside of the enclosure, no matter how small the space in which it is installed is.

Multiple cable management options

Don't make do with the same old things; use the new roof and plinth cable glands to get the most out of your installation.

You also have several options in cable-gland plates (plain, 1, 2 entries, ventilated, etc.).



Reduce your assembly time

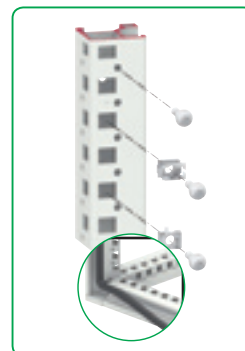
- Thanks to the panels with captive screws.
- Using Torx M6 self-tapping screws for the accessories that are attached to the structure, with no need for nuts.
- With numerous accessories that facilitate installation and cable management in applications such as automobiles, electrical distribution, VDI, etc.

Coupling enclosures is easier now

- The installation surface is flat and the coupling accessories are easy to attach. Moreover, you can couple enclosures without removing them from the pallet.

Functional aesthetics

- The panels, perfectly integrated in the structure, give the enclosure a unique appeal and keep its nominal dimensions to optimise installation space, thus avoiding unpleasant surprises.



The most robust enclosures on the market...

Thanks to their innovative profile, the Spacial SF suitable enclosures can bear loads of to 2200 lb without deformations.

If you need a compact and ready to assemble enclosure, Spacial SM is the solution.

... that will help deliver "day to day" effectiveness

All the Spacial SF enclosures, once coupled, are easy to transport with a pallet truck. Watertightness (IP55) is ensured thanks to the panels built into the structure and the double protection barrier obtained on coupling two enclosures.



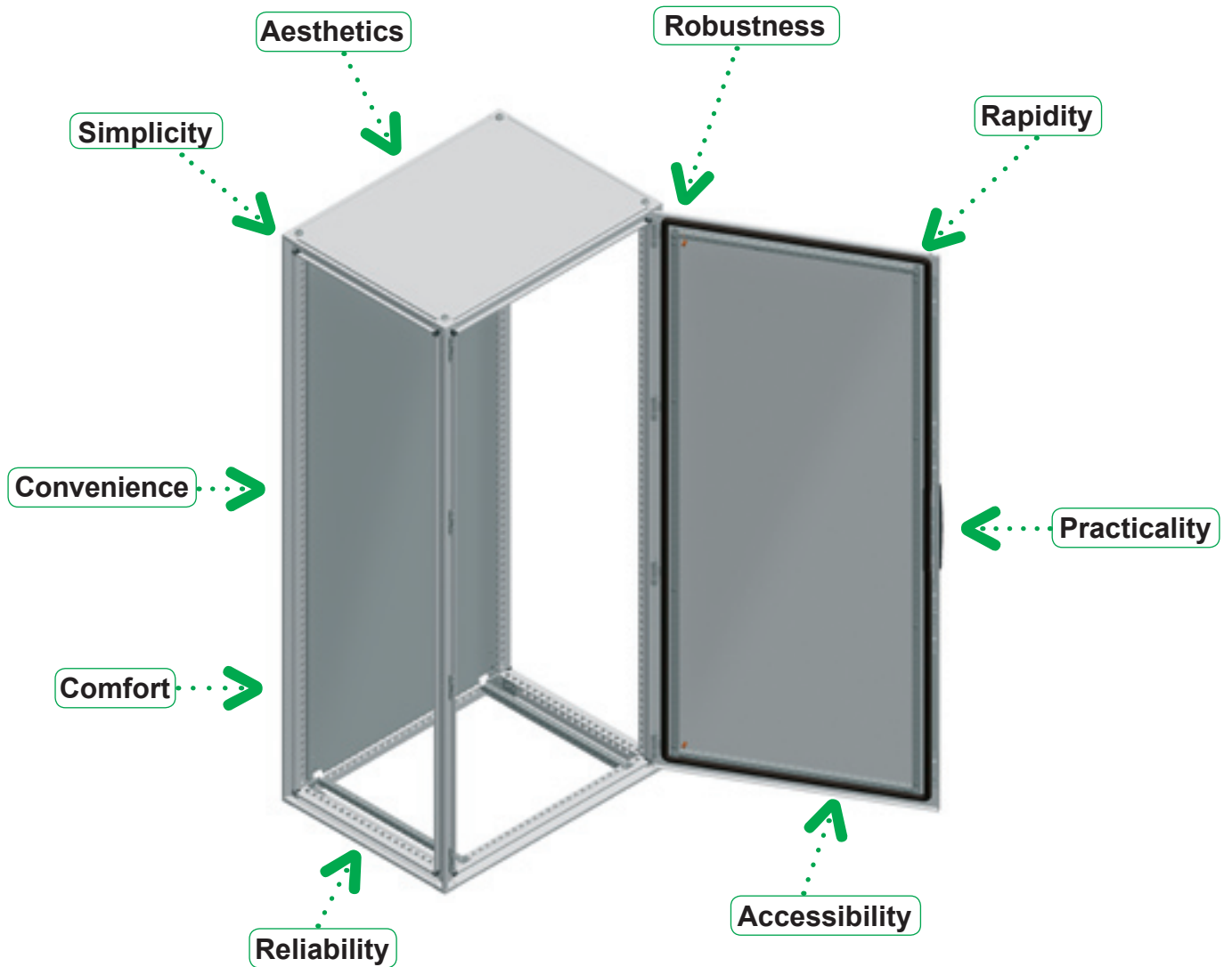
The service and guarantee of a world leader

For Schneider Electric, being close to our clients is a priority. We never cease to provide optimum technical and sales support, fully personalised service and the most efficient and innovative products.



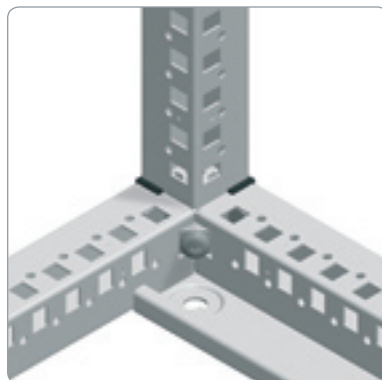
Suitable metal enclosures

Overview



Robustness:

Structure formed from a single 1.5-mm galvanised-steel section, with a high moment of inertia. Vertical uprights joined with top and bottom frames, screwed together with connections of sintered steel. Panels built into the structure.



Practicality:

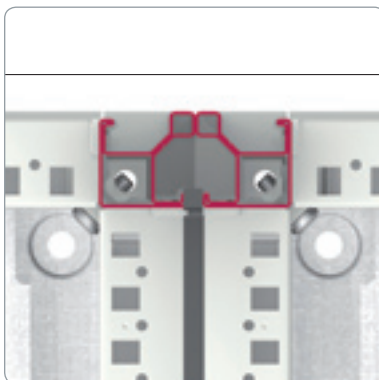
Two door cross rails, which can be height-adjustable and used for fixing cables.



Reliability:

The design of the profile creates a double protective barrier against the entry of water and dust when coupling two enclosures.

The first barrier is the metal connection of the sections, and the second barrier is the EPDM gasket that guarantees the sealing.



Comfort:

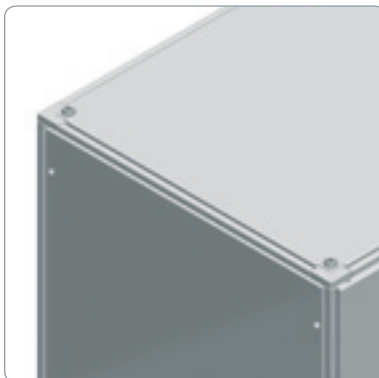
Handle with robust design for easily activating the locking system, allowing the installation of any shape insert and any cylindrical combination key.

Panels with captive screws for easier assembly and dismantling.



Aesthetics:

The built-in panels, enclosure suites and handle with new design give the enclosure a new appearance.

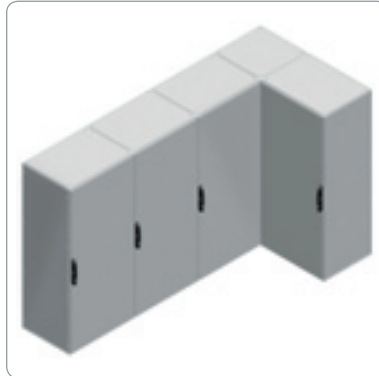


Suitable metal enclosures

Overview

Simplicity:

The new design allows enclosures to be coupled in any direction, adapting to all installation surfaces.



Convenience:

The customised product meets specific needs in terms of dimensions, cut-outs, colours and accessory installation.



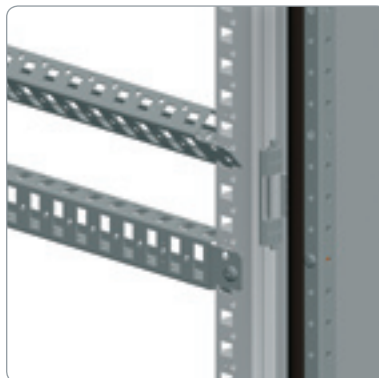
Accessibility:

The symmetric design of the profile allows doors to be installed on any side of the enclosure, opening to right or left, providing full accessibility to the enclosure.



Rapidity:

The double system of cut-outs on the structure allows most accessories to be installed using self-tapping TORX T30 M6 screws or nuts. Clip-on quick-fixing cross rails, fixed with self-tapping screws.



Suitable metal enclosures

Overview



Front door and rear panel, with or without IP55 galvanised mounting plate

Basic composition

- Structure: Top and bottom frame, vertical uprights.
- Front door, two versions:
 - Plain door with reinforcement frame.
 - Transparent Securit® glass door.
- The double doors are overlapping, with system for fixing the left door.
- Rear panel screwed on with captive screws.
- Removable roof.
- Standard locking system with handle and 5-mm double-bar insert.
- 4 support brackets for the mounting plate.
- Sliding rail for the mounting plate.
- Supply with or without galvanised mounting plate depending on the reference.
- Further options:
 - Cross rails.
 - Individual and set plinths with heights of 100 and 200 mm.
 - Cable-gland plates.

Certifications

- BV, DNV, UL and CUL*.
- *1P.- 1, 12, 12K
- *2P.- 1, 12, 12K

Easy installation

- The **Spacial SF** suitable metal enclosure is made up of: 4 uprights and 2 frames, top and bottom. Thanks to its use of a single, laser-welded, galvanised-steel structure, the enclosure has great robustness. The structure has cut-outs with a pitch of 25 mm for fixing accessories, using the same type of screw throughout the entire structure.
- The structure of the enclosure allows the integration of panels, thus obtaining the same nominal length (or size) with or without panels.
- Allows several enclosures to be coupled with full versatility. Offers the possibility of creating any desired shape of coupled enclosures, plus the possibility of installing doors on any side of the enclosure. The coupling surface between enclosures offers a double protective barrier against the entry of water and/or dust.
- The panels are made up of:
 - Sheet-steel door, painted with epoxy-polyester resin, textured RAL-7035 grey,
 - Sheet-steel rear and side panels painted with epoxy-polyester resin, textured RAL-7035 grey, double folded to increase the rigidity and fixed with captive screws that simplify assembly and dismantling.
 - Individual plinths or plinths for sets, painted with epoxy-polyester resin, RAL-7022 grey, greatly simplifying cable management.
- A broad range of accessories offered for the production of:
 - Plates for automatisms.
 - Modular distribution system.
 - 19" racks.
 - etc.
- Degree of protection IP55 according to IEC 60529.
- Resistance to mechanical impacts: IK10 according to IEC 62262 (IK08 for the transparent doors).

Locking system

- New design, modern appearance, ergonomic, robust, complying with numerous specifications:
 - Combination keys.
 - Shape inserts.
 - Push button.
- Optional:
 - Handle lock, lock for versions DIN, KABA, ASSA.
 - Handle lock for 2 inserts, "AND" or "OR" combination.
 - Padlock locking.
 - CNOMO kit.



Compact metal enclosures Overview

Convenience



Robustness



Comfort



Practicality



Protection



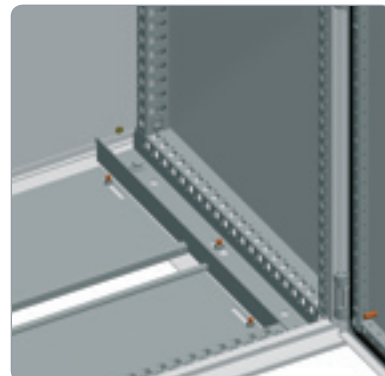
Robustness:

Body made as a single piece with welded rear panel. Front part forming a rigid frame with welded corners.



Practicality:

Two door rails, which can be height-adjustable and used for fixing cables.
The adaptation profile installed in the front of the enclosure and the universal 40-mm cross rail (1 row) in the rear provide the same fixing points as the suitable enclosure.



Protection:

IP guaranteed by the rigidity of the enclosure, the expanded-polyurethane sealing gasket of the enclosure and the subsequent welding. Double-door enclosures with inner lock on the left door.



Comfort:

Handle with sturdy design for easily activating the locking system, allowing the installation of any shape insert and any cylindrical combination key. Easily interchangeable insert with one click.



Convenience:

The customised product meets specific needs in terms of cut-outs, colours and accessory installation.



Compact metal enclosures

Overview

Front door and rear panel, with or without galvanised mounting plate IP55



Basic composition

- Structure: body made from sheet steel, welded rear panel, with the front forming a rigid frame with welded corners.
- Front door:
 - Plain door with reinforcement frame.
 - Or, transparent Securit® glass door.
- The double doors are overlapping, with system for fixing the left door.
- Welded rear panel.
- Standard locking system with handle and 5-mm double-bar insert.
- 4 support brackets for the mounting plate.
- Cable-gland plate in 2 parts.
- Supply with or without galvanised mounting plate depending on the reference.
- Options:
 - Cross rails.
 - Individual plinths with heights of 100 and 200 mm.

Certifications

- BV, DNV, UL* and CUL.
- *1 Door: 1, 2, 3, 3R, 4, 5, 12, 12K and 13
- *2 Doors: 1, 12, 12K

Easy installation

- The **Spacial SM** compact metal enclosure is made up of a compact body, welded rear panel and front part forming a rigid frame with its corners welded. 4 deep supports, 2 at the top and 2 at the bottom, for adjusting the equipment fixing bracket with a pitch of 25 mm.
- Sheet-steel door, painted with epoxy-polyester resin in textured RAL7035 grey. Reinforcement frame made up of two perforated uprights with a pitch of 25 mm and two door rails (height-adjustable), which can be used for fixing cables. Vertical profiles for the enclosures with a height of 1,200 mm.
- 4 zamak hinges and 4 locking points for the enclosures, with heights from 1,200 to 2,000 mm.
- Cable-gland plate in two parts with sealing gasket cross-section of 3 × 10 mm:
- A broad range of accessories offered for the production of:
 - Plates for automatism.
 - Modular distribution system.
 - 19" racks.
 - etc.
- Degree of protection IP55 according to IEC 60529.
- Resistance to mechanical impacts: IK10 according to IEC 62262 (IK08 for the transparent doors).

Locking system

- New design, modern appearance, ergonomic, sturdy, complying with numerous specifications:
 - Combination keys.
 - Shape inserts.
 - Push button.
- Optional:
 - Handle lock for versions DIN, KABA, ASSA.
 - Handle lock for 2 inserts, "AND" or "OR" combination.
 - Padlock locking.
 - CNOMO kit.

Front and rear kit

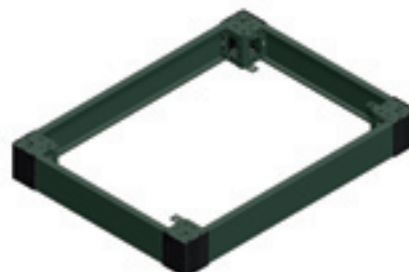


Plinth in kit form

Side panels



Complete plinth



Plinth height 100 mm
Also available in 200mm height.

The complete plinth consists of two elements, one is the front and rear kit, determined by the length of the enclosure, and the other consists of the side panels, which determine the depth of the enclosure.
The number of side panels required is decided according to the desired plinth combination.

> **Advantage:**

- Robust design.
- The modular plinth system makes it possible to reduce the number of references in stock.



Possibility of joining plinths

- 1 The surfaces between corners are always in contact.
They are joined by an M8 screw and nut, not included in the standard supply.

> **Advantage:**

- Longitudinally free space for passing cables.
- Greater rigidity of the resultant assembly unit.



- 2 By side panels, the M6 screws and caged nuts, not included in the standard supply, reference **NSYSPM6** and reference **NSYCN9M625**, which can be mounted above and/or below.

> **Advantage:**

- Improves rigidity in the depthwise direction during transport.



- 3 Vertical plinth assembly by means of M12 screws and nuts, not included in the standard supply.

> **Advantage:**

- The two heights of corners can be combined.



Spacial SF / SM

Cross rails

Nominal dimensions (mm)	Universal		Quick-fixing		Universal		Quick-fixing		Universal		Quick-fixing	
	40 mm (1 row)		65 mm (2 rows)		90 mm (3 rows)							
300	NSYSUCR4030	-	NSYSUCR6530	-	NSYSUCR9030	-						
400	NSYSUCR4040	NSYSQCR4040	NSYSUCR6540	NSYSQCR6540	NSYSUCR9040	NSYSQCR9040						
500	NSYSUCR4050	NSYSQCR4050	NSYSUCR6550	NSYSQCR6550	NSYSUCR9050	NSYSQCR9050						
600	NSYSUCR4060	NSYSQCR4060	NSYSUCR6560	NSYSQCR6560	NSYSUCR9060	NSYSQCR9060						
800	NSYSUCR4080	NSYSQCR4080	NSYSUCR6580	NSYSQCR6580	NSYSUCR9080	NSYSQCR9080						
1000	NSYSUCR40100	NSYSQCR40100	NSYSUCR65100	NSYSQCR65100	NSYSUCR90100	NSYSQCR90100						
1200	NSYSUCR40120	NSYSQCR40120	NSYSUCR65120	NSYSQCR65120	NSYSUCR90120	NSYSQCR90120						
1400	NSYSUCR40140	-	NSYSUCR65140	-	NSYSUCR90140	-						
1600	NSYSUCR40160	-	NSYSUCR65160	-	NSYSUCR90160	-						
1800	NSYSUCR40180	-	NSYSUCR65180	-	NSYSUCR90180	-						
2000	NSYSUCR40200	-	NSYSUCR65200	-	NSYSUCR90200	-						
2200	NSYSUCR40220	-	NSYSUCR65220	-	NSYSUCR90220	-						

Light	
Nominal dimensions (mm)	Reference
400	NSYSLCR40
500	NSYSLCR50
600	NSYSLCR60
800	NSYSLCR80
-	-
-	-
-	-
-	-
-	-

> Otras dimensiones de traviesas universales disponibles.

DIN rails

Nominal dimensions (mm)	Symmetrical			Asymmetrical		Double profile	
	Width	Type	Reference	Supply	Reference	Supply	Reference
600	A	NSYSDR60	20	NSYADR60	20	NSYDPR60	20
800	A	NSYSDR80	20	NSYADR80	20	NSYDPR80	20
1000	A	NSYSDR100	20	NSYADR100	20	NSYDPR100	20
1200	A	NSYSDR120	20	NSYADR120	20	NSYDPR120	20

> Width of 2000 mm available in the 3 versions.

Standard and technical uprights

Nominal dimensions (mm)	Standard uprights	Technical uprights
	Height	
1200	-	NSYTVR12
1400	-	NSYTVR14
1600	-	NSYTVR16
1800	NSYVR18	NSYTVR18
2000	NSYVR20	NSYTVR20
2200	NSYVR22	NSYTVR22

Fixing elements

Fixing element		Supply	Reference
	M6 caged nut	50	NSYCNFM6
	M8 caged nut	50	NSYCNFM8
	M6 removable nut	50	NSYCNM6
	M8 removable nut	50	NSYCNM8
	M6 x 12 mm screw	100	NSYS12M6H
	M6 x 16 mm screw	100	NSYS16M6H
	M6 x 18 mm screw	100	NSYS18M6H
	M8 x 16 mm screw	50	NSYS16M8H
	M8 x 20 mm screw	10	NSYS20M8H
	Torx T30 M6 x 16 mm screw ¹	100	NSYST30M6
	Torx T40 M8 x 16 mm screw ¹	100	NSYST40M8
	Torx T30 M6 x 12 mm self-tapping screw ¹	100	NSYST30M6S

¹ Screw without washer.

Coupling kit

Reference SF: NSYSFBK (standard)
Reference SM: NSYSMBK

"L"-rail for fixing cables

Nominal dimensions (mm)	Reference
Width	
600	NSYFCG60
800	NSYFCG80
1000	NSYFCG100
1200	NSYFCG120
1600	NSYFCG160

> Adjustable in depth with a pitch of 25 mm.

Rails for heavy loads

Nominal dimensions (mm)	Reference
Depth	
400	NSYHLCR40
500	NSYHLCR50
600	NSYHLCR60
800	NSYHLCR80

> Adjustable on the sides with a pitch of 25 mm

Lower cable-guide cross rail

Nominal dimensions (mm)	Reference
Width	
600	NSYCFP60
800	NSYCFP80
1000	NSYCFP100
1200	2 x NSYCFP60
1600	2 x NSYCFP80

> Adjustable in depth with a pitch of 25 mm.

Spacial SF / SM

Locks

Handle for shape inserts and cylindrical barrels ¹	Handle for DIN, KABA, ASSA insert types	Double-insert handle ²	Padlock locking	CNOMO kit ³
NSYSFHS1	NSYSFHD2	NSYSFHD3	NSYBLKH123	NSYCNOH123

- 1 Handle supplied with all the Spacial SF and Spacial SM enclosures. Does not include the insert when it is ordered as an accessory.
- 2 To assemble shape inserts or cylindrical barrels, the adapter ref. **NSYLADP** must be added.
- 3 Locking system. Prevents the handle from closing while the door is open.

Flat escutcheon lock

Models	Reference
2 mm groove screwdriver slot	NSYSFLOCK24
Triangular insert 8 mm	NSYSFLOCKT8
Triangular insert 7 mm	NSYSFLOCKT7
Triangular insert 6.5 mm	NSYSFLOCKT6
8 mm female square insert	NSYSFLOCKSG8
8 mm square insert	NSYSFLOCKS8
7 mm square insert	NSYSFLOCKS7
6 mm square insert	NSYSFLOCKS6
5 mm double-bar insert	NSYSFLOCKDB5

Lifting elements

SF			
Eyebolts (M12)	Lifting brackets	Lifting bar (length mm)	
			1600
-	-		1800
-	-		2400

SM	
Eyebolts (M12)	
NSYSMEB	

> Advantage:

The eyebolts screwed directly into the vertical axis of the upright contribute greatly to robustness during transport.

Internal door

Nominal dimensions (mm)		Reference
Height	Width	
1600	600	NSYID166
	800	NSYID168
1800	600	NSYID186
	800	NSYID188
	1000	NSYID1810
2000	600	NSYID206
	800	NSYID208
	1000	NSYID2010
2200	600	NSYID226
	800	NSYID228



Door accessories

180° hinge



Reference: **NSYSH180**

Door-centering caster



Reference: **NSYSDRC**

Door switch



Reference SF: **NSYDCM20**
Reference SM: **NSYMDCM20**

- > M20 cable entry adapted for cable-gland seal.
- > Open + closed contact, 10 A/500 V.

Side door

Nominal dimensions (mm)		Reference
Height	Width	
1200	600	NSYSFD126
	800	NSYSFD128
1400	600	NSYSFD146
	800	NSYSFD148
1600	600	NSYSFD166
	800	NSYSFD168
1800	400	NSYSFD184
	500	NSYSFD185
	600	NSYSFD186
1800	800	NSYSFD188
	400	NSYSFD204
	500	NSYSFD205
2000	600	NSYSFD206
	800	NSYSFD208
	400	NSYSFD224
2200	500	NSYSFD225
	600	NSYSFD226
	800	NSYSFD228



Door rails

Nominal dimensions width (mm)	Door rail	Door cable-guide cross rail
	400	NSYSDCR4
500	NSYSDCR5	NSYSDGCR5
600	NSYSDCR6	NSYSDGCR6
800	NSYSDCR8	NSYSDGCR8
1000	NSYSDCR10	NSYSDGCR10

Door stops

	SF	SM
Mechanical stop, 105° opening	NSYSFMDR	NSYSMDR
Pneumatic stop, 120° opening	NSYSFNDR	NSYSMNR

Control desks

Introduction

2



Monobloc control desk without console



Monobloc control desk with removable rear panel



Monobloc control desk with console and desk

Monobloc control desk

3 versions to meet your needs

Common characteristics

These control desks are equipped with:

- A pneumatic opening stay on the opening of the desk lid.
- A cable-gland plate in two adjustable parts for cable entry.
- Hinges with removable pins for quick door removal or reversal of opening direction.
- Two perforated vertical rails on the desk lid for quick installation of cables and cable ducts.
- Control desk with rear access. The rear panel is removable.
- RAL 7035.

Common specifications

- Control desk equipped with adjustment rails with a pitch of 25 mm and brackets allowing depth adjustment of the mounting plate.
- Welded folded sheet steel, thickness 15 / 10 mm. Structured finish, epoxy-polyester powder paint, colour RAL 7035 grey.
- Protection rating IP 55. Resistance to external mechanical impacts IK 10.
- Reversible door opening to 120°. Locking by 3-mm double-bar lock (other inserts or barrels also available, to be ordered separately).
- Desk lid equipped with a pneumatic opening stay. Opens to 75°. Perforated reinforcement rails with a pitch of 25 mm.
- Cable-gland plate with 2 adjustable parts, with polyurethane gasket.
- M8 × 18-mm earthing screw for equipotential connection between the door and the body.
- Two versions available: with and without mounting plate.

Specifications for Monobloc control desk with removable rear panel

- Control desk with rear access. The rear panel is removable.
- Also available in stainless steel (consult us).

Specifications for Monobloc control desk with console and desk

- A front console door held by a mechanical stay.
- One or two rear doors covering the entire height of the control desk.
- One or two front doors in the lower part.
- Rear door equipped with a three-point lock, activated by a linkage, with a 5-mm double-bar insert.
- Hinged console cover equipped with a pneumatic opening stay. Opens to 75°.
- Locking of the doors, the top lid and the hinged console cover by a 3-mm double-bar lock (other inserts or barrels also available, to be ordered separately).

Control desks

Introduction



Without mounting plate

With mounting plate



Without mounting plate

With mounting plate

Monobloc control desk without console

Dimensions (mm)			Door number	Control desk reference	
Width (B)	Height	Depth		With mounting plate	Without mounting plate
600	1000	466	1	NSYSD6P	NSYSD6
800	1000	466	1	NSYSD8P	NSYSD8
1000	1000	466	2	NSYSD10P	NSYSD10
1200	1000	466	2	NSYSD12P	NSYSD12

Monobloc control desk with removable rear panel

Dimensions (mm)			Door number	Control desk reference	
Width (B)	Height	Depth		With mounting plate	Without mounting plate
600	1000	597	1	NSYSD6RP	NSYSD6R
800	1000	597	1	NSYSD8RP	NSYSD8R
1000	1000	597	2	NSYSD10RP	NSYSD10R
1200	1000	597	2	NSYSD12RP	NSYSD12R

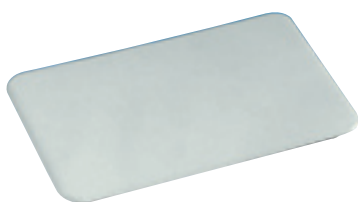
*Also available in stainless steel (consult us).



Modular console in RAL 7035 grey sheet steel

Console (mm)		Reference
Width (B)	Depth	
400	200	NSYSDC42
400	300	NSYSDC43
600	200	NSYSDC62
600	300	NSYSDC63

*Also available in stainless steel (consult us).



Blanking cover

Blanking cover length (mm)	Reference RAL 7035
200	NSYRP2
400	NSYRP4
600	NSYRP6
800	NSYRP8

*Also available in stainless steel (consult us).



Control desk with RAL 7035 grey console

Control desk with console (mm)			Control desk reference	
Width (B)	Height	Depth	With mounting plate	Without mounting plate
800	1400	845	NSYSDF88	NSYSDF88P
1000	1400	845	NSYSDF108	NSYSDF108P
1200	1400	845	NSYSDF128	NSYSDF128P
1600	1400	845	NSYSDF168	NSYSDF168P
800	1400	1045	NSYSDF810	NSYSDF810P
1000	1400	1045	NSYSDF1010	NSYSDF1010P
1200	1400	1045	NSYSDF1210	NSYSDF1210P
1600	1400	1045	NSYSDF1610	NSYSDF1610P

Composition accessories

Floor accessories

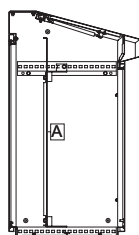
2



Plinths

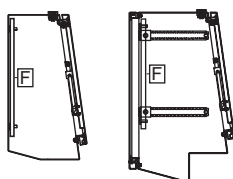
New modular solution, with separate front and side panel.
For more information visit our website www.schneider-electric.com

Nominal dimensions (mm)		Front plinth reference (mm)		Control desk plinth side panel reference (mm)	
Width	Depth	100	200	100	200
600	400	NSYSPF6100	NSYSPF6200	NSYSPS4100SD	NSYSPS4200SD
600	500	NSYSPF6100	NSYSPF6200	NSYSPS5100SD	NSYSPS5200SD
800	400	NSYSPF8100	NSYSPF8200	NSYSPS4100SD	NSYSPS4200SD
800	500	NSYSPF8100	NSYSPF8200	NSYSPS5100SD	NSYSPS5200SD
800	600	NSYSPF8100	NSYSPF8200	NSYSPS6100SD	NSYSPS6200SD
1000	400	NSYSPF10100	NSYSPF10200	NSYSPS4100SD	NSYSPS4200SD
1000	500	NSYSPF10100	NSYSPF10200	NSYSPS5100SD	NSYSPS5200SD
1000	600	NSYSPF10100	NSYSPF10200	NSYSPS6100SD	NSYSPS6200SD
1200	400	NSYSPF12100	NSYSPF12200	NSYSPS4100SD	NSYSPS4200SD
1200	500	NSYSPF12100	NSYSPF12200	NSYSPS5100SD	NSYSPS5200SD
1200	600	NSYSPF12100	NSYSPF12200	NSYSPS6100SD	NSYSPS6200SD
1600	400	NSYSPF16100	NSYSPF16200	NSYSPS4100SD	NSYSPS4200SD
1600	600	NSYSPF16100	NSYSPF16200	NSYSPS6100SD	NSYSPS6200SD



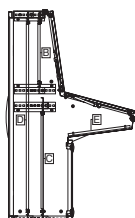
Plain galvanized mounting plate for control desks without console (A)

Control desk width (mm)	Reference
600	NSYPMP8560
800	NSYPMP8580
1000	NSYPMP85100
1200	NSYPMP85120

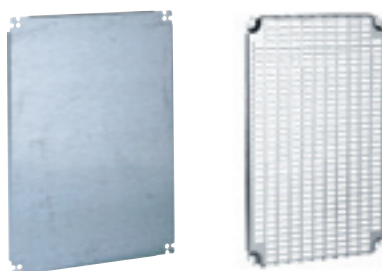


Mounting plate for modular console (F)

Console width (mm)	Plain	Microperforated	Telequick
400	NSYMM44	NSYMF44	NSYMR44
600	NSYMM64	NSYMF64	NSYMR64



Mounting plate for control desks with console and desk



Console width (mm)	Plain mounting plate			
	Pos (B)	Pos (C)	Pos (D)	Pos (E)
800	NSYPMP4580	NSYPMP8580	NSYMP148	NSYSPMP4080
1000	NSYPMP45100	NSYPMP85100	NSYMP1410	NSYSPMP40100
1200	NSYPMP45120	NSYPMP85120	NSYMP1412	NSYSPMP40120
1600	NSYPMP45160	NSYPMP85160		NSYSPMP40160

Console width (mm)	Telequick mounting plate		
	Pos (A) & Pos (C)	Pos (B)	Pos (D)
600	NSYTMP6760	NSYTMP4280	2 × NSYSTMP6080
800	NSYTMP6780	NSYTMP42100	2 × NSYSTMP60100
1000	NSYTMP67100	NSYTMP42120	2 × NSYSTMP60120
1200	NSYTMP67120		

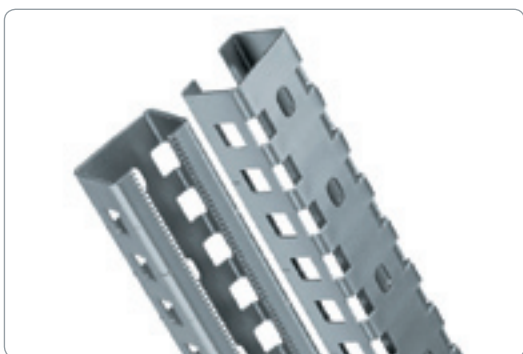
Mounting accessories

Installation accessories



Adjustment rails and fixing brackets

For control desks with console depth (mm)	Reference
400	NSYMPB4SD
600	NSYMPB4SD



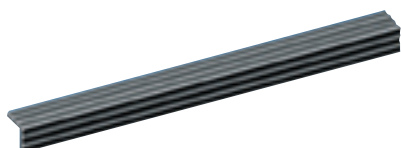
Technical uprights

For control desk height (mm)	Centre-to-centre distance (mm)	Reference
1000	650	NSYTVR10
1400	1250	NSYTVR14



Pneumatic opening stay

Maximum load per stay (kg)	Stay reference
24	NSYPLS24
29	NSYPLS30



Document lip

Control desk width (mm)	Reference
600	NSYDL6
800	NSYDL8
1000	NSYDL10
1200	NSYDL12
1600	NSYDL16



PC screen support

For width (mm)	Reference
800	NSYPCS8
1000	NSYPCS10
1000	NSYPCS12
1200	NSYPCS16

304L / 316L stainless-steel wall-mounting enclosures

Introduction



Technical characteristics

These enclosures have been specially designed for the chemical, oil and food and beverage industries, among others, which are particularly demanding in terms of hygiene and resistance to corrosion.

- Two types of materials, with Scotch-Brite® brushed finish, are available:
 - AISI 304L,
 - AISI 316L.
- Two wall-mounting enclosure versions are available:
 - With plain door,
 - With glazed door, Securit® glass, 4 mm thick.
- Protection rating of IP 66 for all single enclosures with single door and glazed door, IP 55 for the double door enclosures, according to IEC 60529.
- Resistance to external mechanical impacts:
 - IK 10 for the solid-door enclosures,
 - IK 08 for the glazed-door enclosures.
- Thickness: 1.5 mm.
- Single-piece body (cross-shaped structure). Gutter-shaped front profile.
- 4 rear studs for fixing the material.
- 2 cut-out vertical profiles on the door (from a height of 600 mm), with drill holes with a diameter of 4.25 mm and a pitch of 25 mm for installing accessories.
- Door strengthening frame (from a height of 1000 mm), cross-section of 20 mm × 15 mm, with drill holes with a diameter of 5 mm and a pitch of 25 mm.
- Standard lock with 3-mm double-bar lock (chrome-plated zamak).
- 2 locking points for heights of more than 500 mm or three points for two-door enclosures.
- Stainless-steel hinges screwed to the body of the enclosure. They make it easier to remove and invert the door. Opening angle: 120°.
- Polyurethane gasket.
- M6 × 16 screws on the door and on the body, allowing equipotential connection between the earth connections (on request).
- 4 holes for fixing to the wall directly or with the help of mounting lugs (on request), blocked by sealing plugs.

Certifications


- IEC 62208 / UL 508A / CAN/CSA 22.

Wall-mounting enclosure ATEX

Technical features

The Spacial ATEX range of stainless-steel enclosures is certified by the LOM with no. LOM 08ATEX3028U (component certificate).

The enclosures have the following marks:

 II 2 GD Ex e II Ex tD A21 IP66 according to ATEX directive 94/9/EC and standards EN 60079-0 (2004), EN 60079-7 (2006), EN 61241-0 (2005) and EN 61241-1 (2004).

- M6 × 16 screws on the door and on the body, allowing equipotential connection.
- The wall-fixing lugs are compulsory; they are blocked by sealing plugs. The 4 fixing holes are blocked by 4 crimped blind nuts.
- One crimped M6 blind nut for an external earth connection (braid not supplied).
- Authorised ambient temperature limits:
 - 25 °C ≤ Ta ≤ +60 °C



The accessories of the Spacial S3X enclosure can be installed in the Spacial S3EX enclosure. However, plastic accessories should not be used, due to the risk of a static charge.

Stainless-steel wall-mounting enclosure selection guide



External dimensions (mm)			No. of doors	304L stainless steel		316L stainless steel	ATEX 304L Plain door	304L stainless-steel canopy**
H	W	D		Plain door	Glazed door*	Plain door		
300	200	150	1	NSYS3X3215	-	NSYS3X3215H	NSYS3XEX3215	NSYTX2015
300	250	150	1	NSYS3X302515	-	NSYS3X302515H		NSYTX2515
300	300	150	1	NSYS3X3315	-	NSYS3X3315H		NSYTX3015
400	300	150	1	NSYS3X4315	-	NSYS3X4315H		NSYTX3015
400	300	200	1	NSYS3X4320	NSYS3X4320T	NSYS3X4320H	NSYS3XEX4320	NSYTX3020
400	400	200	1	NSYS3X4420	-	NSYS3X4420H		NSYTX4020
400	600	200	1	NSYS3X4620	-	NSYS3X4620H		NSYTX6020
500	400	200	1	NSYS3X5420	NSYS3X5420T	NSYS3X5420H	NSYS3XEX5420	NSYTX4020
600	400	200	1	NSYS3X6420	NSYS3X6420T	NSYS3X6420H	NSYS3XEX6420	NSYTX4020
600	600	250	1	NSYS3X6625	-	NSYS3X6625H		NSYTX6025
700	500	250	1	NSYS3X7525	NSYS3X7525T	NSYS3X7525H	NSYS3XEX7525	NSYTX5025
800	600	250	1	NSYS3X8625	NSYS3X8625T	NSYS3X8625H	NSYS3XEX8625	NSYTX6025
800	800	300	1	NSYS3X8830	-	NSYS3X8830H		NSYTX8030
1000	800	300	1	NSYS3X10830	NSYS3X10830T	NSYS3X10830H	NSYS3XEX10830	NSYTX8030
1000	1000	300	2	NSYS3X101030	-	NSYS3X101030H		NSYTX10030
1200	800	300	1	NSYS3X12830	-	NSYS3X12830H		NSYTX8030
1200	1000	300	2	NSYS3X121030	-	NSYS3X121030H		NSYTX10030

*The glazed door has no reinforcement.

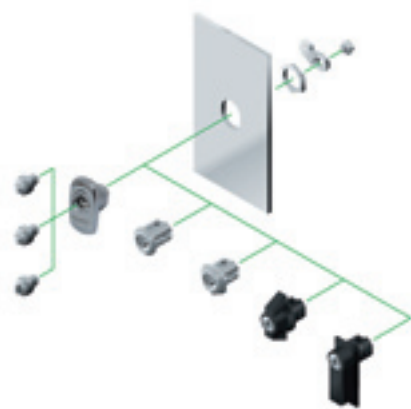
**Installation not recommended on ATEX wall-mounting enclosures.



Wall-fixing lugs

- Set of four 304 or 316L stainless-steel wall-fixing lugs.
- Mounting of the wall-fixing lugs in horizontal or vertical position.
- Fixing from the outside.
- Maximum load: horizontal 180 kg and vertical 350 kg.

Stainless-steel type	Reference
304	NSYPFCX
316L	NSYPFC2X



Description	Material	Reference
Standard 3-mm double-bar lock	chrome-plated zamak	NSYSTDNCSX
Round 3-mm double-bar lock (spare)	chrome-plated zamak	NSYSTDCSX
Round 3-mm double-bar lock	100 % stainless steel	NSYSTDCXH
8-mm triangular insert	100 % stainless steel	NSYTT8CSX
7-mm square insert	100 % stainless steel	NSYTC7CSX
6-mm square insert	100 % stainless steel	NSYTC6CSX
1242E button lock	Chrome-plated	NSYCL1242ECSX
405 button lock	Polyamide	NSYCL405CSX



For mounting plates and other accessories please refer to our current wall-mounting offer (S3D or CRN).

Stainless-steel monobloc floor-standing enclosures

Introduction

3



Technical features

These enclosures have been specially designed for the chemical, oil and food and beverage industries, among others, which are particularly demanding in terms of hygiene and resistance to corrosion.

- Stainless-steel sheet floor-standing enclosure, 1.5 mm thick, folded and welded.
- Two types of materials, with Scotch-Brite® brushed finish, are available:
 - 304L stainless steel,
 - 316L stainless steel.
- Micro-beaded and painted finishes (on request).
- Protection rating: IP 55 according to IEC 60529.
- 1 Nema door, type 1, 2, 3, 3R,4, 4X, 5, 12, 12K, 13.
- 2 Nema doors, type 1, 2, 12K.
- Resistance to external mechanical impacts: IK 10 according to IEC 62262.
- Plain front door. Opening to left or right to 120° with reinforcement frame. Installed on 3 stainless-steel hinges. 3-point closure with handle made from painted zamak, 5-mm double bar.
- Acceptable load of 50 kg.
- Delivered with 4 mounting plate-supporting brackets.
- Single-piece cable-gland plate delivered.
- 316L stainless-steel plinths, optional heights of 100 and 200 mm.
- Optional stainless-steel canopies.
- Optional eyebolts.
- Maximum load: 830 kg when slinging at 60°.

Certifications

- IEC 62208.
- UL 508.
- CAN/CSA 22.



Configured



Specific



External dimensions (mm)			Number of front doors	304L / 316L* stainless-steel floor-standing enclosure reference	Brushed 316L stainless-steel plinth height 100 mm (1)		Brushed 316L stainless-steel plinth height 200 mm (1)		Canopy
Height	Width	Depth			Front + corner	Side	Front + corner	Side	
1400	1000	300	2	NSYSMX141030	NSYSPXF10100H	NSYSPXS3100H	NSYSPXF10200H	2 × NSYSPXS3100H	NSYSCX10030
1600	800	400	1	NSYSMX16840	NSYSPXF8100H	NSYSPXS4100H	NSYSPXF8200H	2 × NSYSPXS4100H	NSYSCX8040
1800	600	400	1	NSYSMX18640	NSYSPXF6100H	NSYSPXS4100H	NSYSPXF6200H	2 × NSYSPXS4100H	NSYSCX6040
1800	800	400	1	NSYSMX18840*	NSYSPXF8100H	NSYSPXS4100H	NSYSPXF8200H	2 × NSYSPXS4100H	NSYSCX8040
1800	1200	400	2	NSYSMX181240*	NSYSPXF12100H	NSYSPXS4100H	NSYSPXF12200H	2 × NSYSPXS4100H	NSYSCX12040
1800	1600	400	2	NSYSMX181640*	NSYSPXF16100H	NSYSPXS4100H	NSYSPXF16200H	2 × NSYSPXS4100H	NSYSCX16040
2000	800	500	1	NSYSMX20850	NSYSPXF8100H	NSYSPXS5100H	NSYSPXF8200H	2 × NSYSPXS5100H	NSYSCX8050
2000	1000	400	2	NSYSMX201040*	NSYSPXF10100H	NSYSPXS4100H	NSYSPXF10200H	2 × NSYSPXS4100H	NSYSCX10040
2000	1200	500	2	NSYSMX201250*	NSYSPXF12100H	NSYSPXS5100H	NSYSPXF12200H	2 × NSYSPXS5100H	NSYSCX12050
2000	1600	600	2	NSYSMX201660*	NSYSPXF16100H	NSYSPXS6100H	NSYSPXF16200H	2 × NSYSPXS6100H	NSYSCX16060

* For the stainless steel version 316L, add the letter H at the end of the reference. Example: NSYSMSX18840H.

(1) See section on stainless-steel composition accessories.

Stainless-steel suitable enclosures

Introduction



Technical features

These enclosures have been specially designed for the chemical, oil and food and beverage industries, among others, which are particularly demanding in terms of hygiene and resistance to corrosion.

- Enclosure made up of a structure, consisting of top and bottom, rear panel and vertical profiles.
- Made from AISI 304L stainless steel with Scotch-Brite® brushed finish.
- 316L stainless steel (on request).
- Microbading finishing and pinting (on request).
- Protection rating of IP55 according to standard IEC 60529.
- High resistance to mechanical impacts: IK 10 according to standard IEC 62262.
- Plain front door. Opening to left or right to 120° with reinforcement frame installed.
 - 3 stainless-steel hinges.
 - 3-point closure with handle made from painted zamak, 5-mm double bar.
 - Acceptable load of 50 kg.
- Single-piece cable-gland plate delivered.
- 316L stainless-steel plinths, optional heights of 100 and 200 mm.
- Optional stainless-steel canopies.
- Optional eyebolt.
- Maximum load: 830 kg when slinging at 60°.

Basic composition

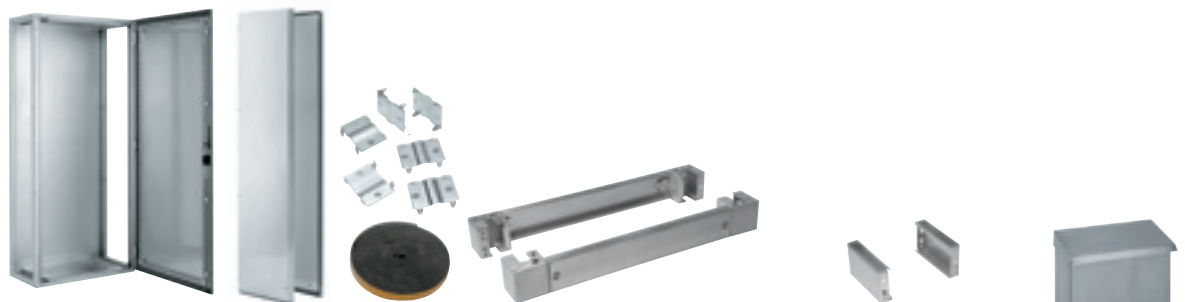
- Structure consisting of top and bottom, rear panel and vertical profiles.
- Single front door, with reinforcement frame.
- Sash-bolt handle made from painted zamak, 3-mm double bar.
- 4 mounting plate-supporting brackets.
- Single-piece cable-gland plate with sealing gasket.

Note: the panels and plinths can be installed and the enclosures can be assembled (on request).



Specific

Spacial SFX suitable enclosures

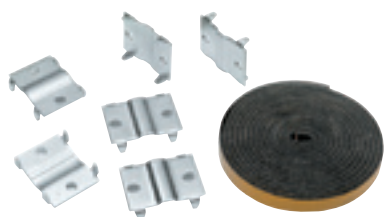


External dimensions (mm)			Number of front doors	References in 304L stainless steel (1)			Brushed 316L stainless-steel plinth height 100 mm (2)		Brushed 316L stainless-steel plinth height 200 mm (2)		Canopy
Height (A)	Width (B)	Depth (C)		Suitable enclosure	Set of 2 side panels	Coupling kit	Front + corner	Side	Front + corner	Side	
1800	600	400	1	NSYSFX18640	NSY2SPX184	NSYSFBK19	NSYSPXF6100H	NSYSPXS4100H	NSYSPXF6200H	2 × NSYSPXS4100H	NSYSCX6040
1800	800	400	1	NSYSFX18840	NSY2SPX184	NSYSFBK19	NSYSPXF8100H	NSYSPXS4100H	NSYSPXF8200H	2 × NSYSPXS4100H	NSYSCX8040
1800	1200	400	2	NSYSFX181240	NSY2SPX184	NSYSFBK19	NSYSPXF12100H	NSYSPXS4100H	NSYSPXF12200H	2 × NSYSPXS4100H	NSYSCX12040
2000	600	500	1	NSYSFX20650	NSY2SPX205	NSYSFBK19	NSYSPXF6100H	NSYSPXS5100H	NSYSPXF6200H	2 × NSYSPXS5100H	NSYSCX6050
2000	800	400	1	NSYSFX20840	NSY2SPX204	NSYSFBK19	NSYSPXF8100H	NSYSPXS4100H	NSYSPXF8200H	2 × NSYSPXS4100H	NSYSCX8040
2000	800	600	1	NSYSFX20860	NSY2SPX206	NSYSFBK19	NSYSPXF8100H	NSYSPXS6100H	NSYSPXF8200H	2 × NSYSPXS6100H	NSYSCX8060
2000	1000	600	2	NSYSFX201060	NSY2SPX206	NSYSFBK19	NSYSPXF10100H	NSYSPXS6100H	NSYSPXF10200H	2 × NSYSPXS6100H	NSYSCX10060
2000	1200	600	2	NSYSFX201260	NSY2SPX206	NSYSFBK19	NSYSPXF12100H	NSYSPXS6100H	NSYSPXF12200H	2 × NSYSPXS6100H	NSYSCX12060

(1) 316L stainless-steel enclosures on request.

(2) See section on stainless-steel composition accessories.

3



Coupling kit for SFX

Reference
NSYSFBK19



Eyebolts

Reference
NSYSMEB



Lifting bracket for stainless-steel suitable enclosure for SFX

Reference
NSYPUNX



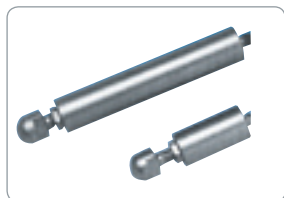
Closure option

Description	Pack.	Reference
Spare handle	1	NSYMCSX
5-mm double-bar insert	1	NSYTDB5ME
6-mm square insert	1	NSYTC6ME
7-mm square insert	1	NSYTC7ME
8-mm square insert	1	NSYTC8ME
6.5-mm triangular insert	1	NSYTT6ME
8-mm triangular insert	1	NSYTT8ME
Padlocking device	1	NSYBCME



Wall-fixing lugs for SMX

Reference
NSYFCMX



Hygienic feet

Height (mm)	Reference
100	NSYPHX100
200	NSYPHX200

Stainless-steel monobloc PC racks

Introduction



The stainless-steel monobloc PC racks have been especially designed to protect computer equipment installed in corrosive or specially environments that require washing or exposure to sprays of liquid.

Composition

- Monobloc structure in 304L stainless-steel sheet, micro-beaded finish.
- Can be made in 316L stainless steel on request.
- Top and bottom partial doors on the front side.
- Pivoting panel for the keyboard.
- Plain rear door.

Execution

- Protection rating: IP 55, even with the keyboard drawer open.
- High resistance to mechanical impacts: IK 10 according to standard IEC 62262.

Ergonomics

- Partial front doors delimit the access to each function with a 3-mm double-bar lock (other inserts or key locks available).
- Glued anti-glare window.
- Access to the various functions and working heights, guaranteeing optimum comfort during use.



Monitor-screen compartment

- The anti-glare glazed door is designed for viewing screens:
 - 14" as standard,
 - 17" by removing a part of the silkscreen printing.
- The height of the monitor support can be adjusted.
- The monitor shelf can withstand a maximum weight of 50 kg.

CPU / keyboard compartment

- The keyboard fixed to the inside becomes operational by tilting the central panel.
- The CPU is placed on a height-adjustable shelf, visible and accessible through a pivoting, transparent shutter.

Optional accessories

- Shelf installed on a sliding rail, with adjustable height.
- Plinths with heights of 100 and 200 mm.
- Telescopic tray: NSYTTG60.



Specific

304L stainless-steel PC racks



External dimensions (mm)			Stainless-steel PC rack reference	Hygienic feet		Brushed 316L stainless-steel plinth height 100 mm (1)		Brushed 316L stainless-steel plinth height 200 mm (1)	
Height	Width	Depth		Height 100 (mm)	Height 200 (mm)	Front + corner	Side	Front + corner	Side
						1600	600	600	NSYSMX16660PC
1600	600	800	NSYSMX16680PC	NSYPHX100	NSYPHX200	NSYSPXF6100H	NSYSPXS8100H	NSYSPXF6200H	2 × NSYSPXS8100H
1800	600	600	NSYSMX18660PC	NSYPHX100	NSYPHX200	NSYSPXF6100H	NSYSPXS6100H	NSYSPXF6200H	2 × NSYSPXS6100H
1800	600	800	NSYSMX18680PC	NSYPHX100	NSYPHX200	NSYSPXF6100H	NSYSPXS8100H	NSYSPXF6200H	2 × NSYSPXS8100H

(1) See section on stainless-steel composition accessories.

Thermoplastic industrial boxes

Introduction



General characteristics

- Large range of dimensions (H, W, D).
- High or low, opaque or transparent cover.
- Boxes that can be coupled (exactly the same dimensions) with kit ref. **13934AB**.
- Locks from box size of 116 × 116 × 62 mm:
 - Cover locking by 4 plastic captive screws with coarse thread outside the sealed area.
 - Plumbable lock.
- Locks from box size of 138 × 93 × 72 mm:
 - The standard screws (flat screwdriver) can be replaced with other standardised screws.
- The 4 “legs” of the cover ensure its robustness and perfect support during customisation operations.
- Adaptable hinges on all the 20- and 40-mm covers.

Materials

- ABS boxes:
 - IK 07 (2J) according to IEC 62262.
 - Glow wire resistance: 650 °C according to IEC 60695-2-11.
 - Usage temperature: –25 °C...+60 °C.
 - Installation temperature: –15 °C...+40 °C.
- Polycarbonate boxes:
 - IK 08 (5J) according to IEC 62262.
 - Glow wire resistance: 960 °C.
 - Usage temperature: –25 °C...+80 °C.
 - Installation temperature: –15 °C...+60 °C.
 - Certified according to UL 508A.

Fixing the box

- Outside the sealed sensitive volume by the 4 chimneys in the corners from box size of 138 × 93 × 72 mm.
- Through the rear of the box by 2 or 4 elongated holes to be perforated.
- With fixing lugs from box size of 116 × 116 × 62 mm (ref. **NSYAEFTB**).

Equipment installation

- Studs for fixing the equipment in the body and the cover of the box by means of a Ø 4-mm self-tapping screw (ref. **NSYAMFSTB**, screw Ø 4 × 10 mm with Pozidriv and slotted head).
- Option of installing rails, plates or other types of supports (card, etc.).
- Spacers and stand-offs to be installed on the studs, for adjusting the height of the equipment.

Technical features

- IP 66 according to IEC 60529.
- NEMA4.4X according to Nema 250.
- Class II according to IEC 61140.
- Colour:
 - Body: RAL 7035 grey.
 - Cover: RAL 7035 grey or tinted transparent.
- Insulating, halogen-free plastic materials.
- Resistance to chemical and atmospheric agents: see technical appendices.

Thermal dissipation

- Use a suitable calculation method according to IEC 60890.
- Anti-condensation valves available as an accessory, prevent the build-up of moisture inside the box.