

0E1E01P3
('ON ΘNIMVHΘ) 台器理図

版数 VER.	年月日 DATE	CN NO.	変更内容 DESCRIPTION	製図 DR.	担当 CHK.	査閲 APPD.	承認 APPD.
2	28.Apr.2005	057127	CHANGE DESIGNATION	T.URANO	N.UCHIYAMA	Y.YAHIRO	K.HISATOMI
3	2.Jul.2009	068186	ADDED ITEM	---	N.UCHIYAMA	---	Y.MIZUSAWA
4	22.Jul.2016	018176	DELETION OF ITEM	---	K.NAKAZAWA	---	T.KUDOU

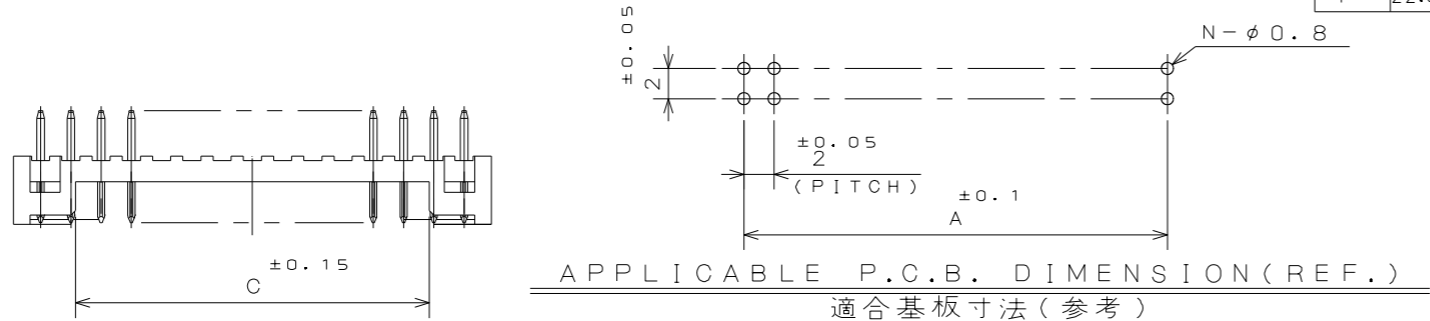


TABLE1 FINISH (AFTER PLATING)

表1 仕上(後めっき)

FINISH 仕上記号	1	2	3	5
CONTACT 接触部	GOLD PLATING OVER NICKEL (GOLD:0.1μmMIN) Ni上Au0.1μm以上	GOLD PLATING OVER NICKEL (GOLD:0.3μmMIN) Ni上Au0.3μm以上	GOLD PLATING OVER NICKEL (GOLD:0.76μmMIN) Ni上Au0.76μm以上	(LEAD FREE)TIN/TIN ALLOY 錫または錫合金(無鉛)メッキ
TERMINAL AREA 結線部	(LEAD FREE)TIN/TIN ALLOY 錫または錫合金(無鉛)メッキ			

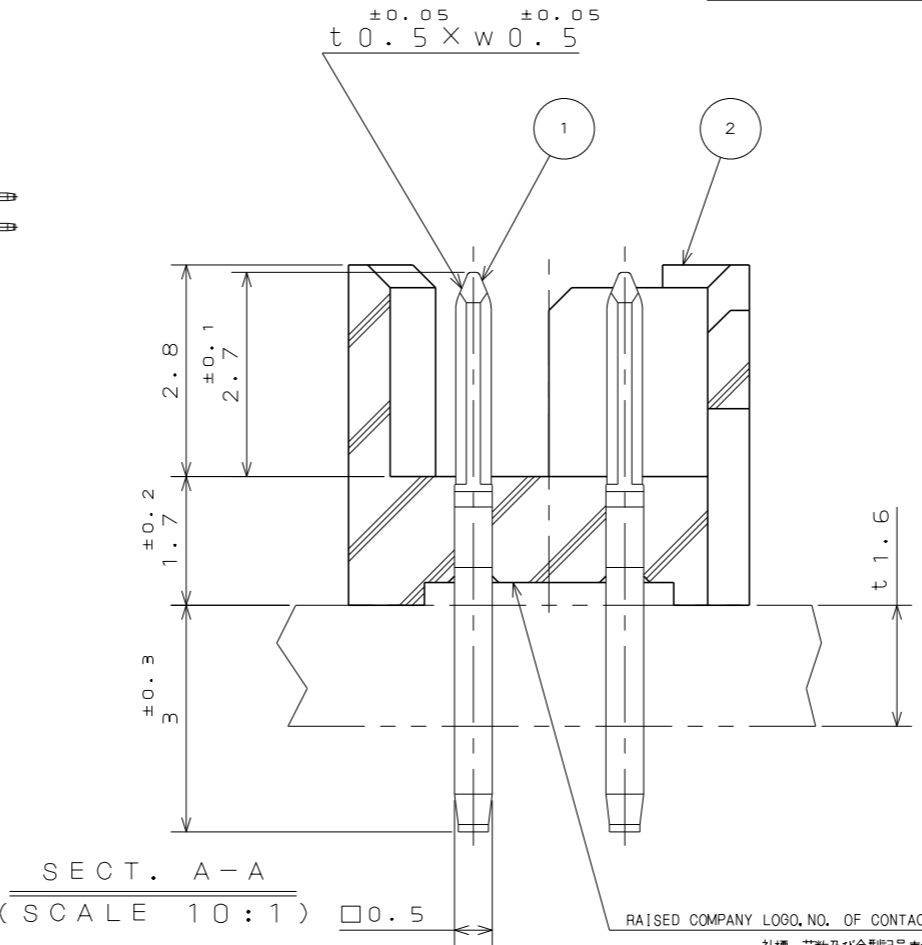
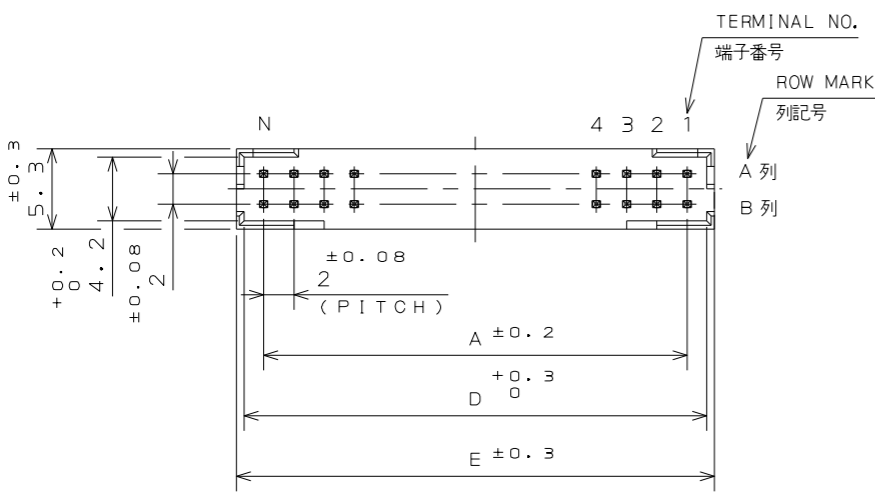
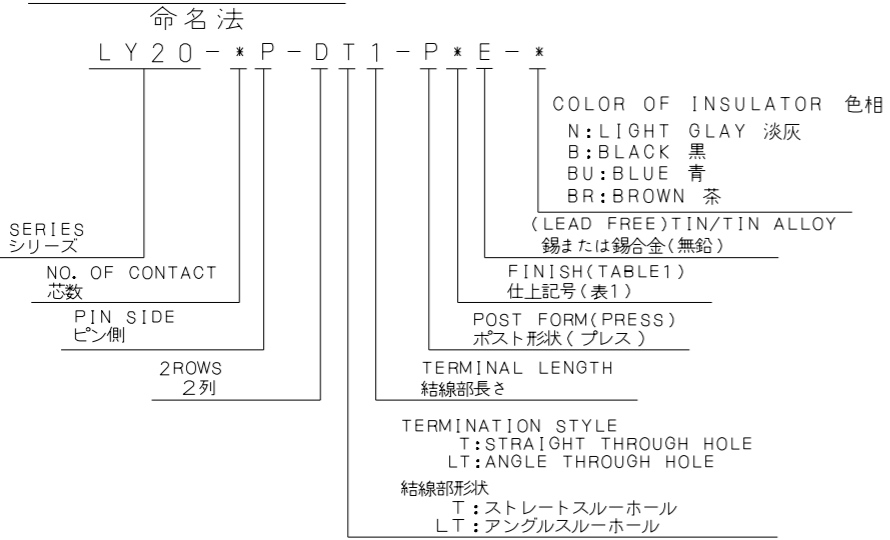


TABLE2 NO. OF CONTACTS AND DIMENSIONS

表2 芯数及び寸法

DIMENSIONS NO. OF CONTACTS 寸法 芯数	寸法				
	A	B	C	D	E
4	2	---	---	4.6	5.6
6	4	---	---	6.6	7.6
8	6	---	1.4	8.6	9.6
10	8	---	3.4	10.6	11.6
12	10	2	5.4	12.6	13.6
14	12	4	7.4	14.6	15.6
16	14	6	9.4	16.6	17.6
18	16	8	11.4	18.6	19.6
20	18	10	13.4	20.6	21.6
22	20	12	15.4	22.6	23.6
24	22	14	17.4	24.6	25.6
26	24	16	19.4	26.6	27.6
28	26	18	21.4	28.6	29.6
30	28	20	23.4	30.6	31.6
32	30	22	25.4	32.6	33.6
34	32	24	27.4	34.6	35.6
36	34	26	29.4	36.6	37.6
38	36	28	31.4	38.6	39.6
40	38	30	33.4	40.6	41.6
42	40	32	35.4	42.6	43.6
44	42	34	37.4	44.6	45.6

DESIGNATION 命名法



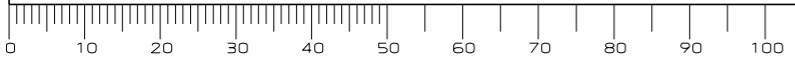
2	INSULATOR	1	GLASS FILLED 6-6NY	---	---
1	POST	TABLE2	COPPER ALLOY	TABLE 1	---
符号 NO.	名称 DESCRIPTION	個数 QTY.	材料 MATERIAL	仕上 FINISH	備考 REMARKS
△ JACS-1337-500		第1版 (ORIGINAL DATE) 27.Jan.2005		尺度 (SCALE) 2:1	シリーズ (SERIES) LY
仕様書 (SPECIFICATION)		製図 DR. T.URANO		名称 (TITLE)	日本航空電子工業株式会社 JAPAN AVIATION ELECTRONICS INDUSTRY, LTD.
一般公差 (GENERAL TOLERANCE)		担当 CHK. N.UCHIYAMA		△ LY20-***P-DT1-P*E-*	図面番号 (DRAWING NO.) SJ103130
寸法 (DIMENSION)	角度 (ANGLES)	査閲 APPD. Y.YAHIRO		STRAIGHT PIN HEADER	版数 (VER.) 4
. ±0.8	×° ±	承認 APPD. K.HISATOMI		質量 (MASS)	
.x ±0.4	×°x ±				
.xx ±0.1					
.xxx ±	単位 (UNIT): mm				

LEAD FREE この製品は鉛フリー品です

JAE CONNECTOR DIV. PROPRIETARY.
COPYRIGHT (C) 2005. JAPAN AVIATION ELECTRONICS INDUSTRY, LTD.

WISDOM承認 2016/07/26

DCF-C-212H(12.08)



Mouser Electronics

Authorized Distributor

Click to View Pricing, Inventory, Delivery & Lifecycle Information:

JAE Electronics:

[LY20-10P-DT1-P1E-BR](#) [LY20-10P-DT1-P5E-BR](#) [LY20-12P-DT1-P1-1E-BR](#) [LY20-12P-DT1-P1E-BR](#) [LY20-12P-DT1-P5E-BR](#) [LY20-14P-DT1-P5E-BR](#) [LY20-16P-DT1-P1E-BR](#) [LY20-16P-DT1-P5E-BR](#) [LY20-18P-DT1-P1E-BR](#) [LY20-18P-DT1-P5E-BR](#) [LY20-20P-DT1-P5E-BR](#) [LY20-22P-DT1-P1E-BR](#) [LY20-22P-DT1-P5E-BR](#) [LY20-24P-DT1-P1E-BR](#) [LY20-24P-DT1-P5E-BR](#) [LY20-26P-DT1-P1E-BR](#) [LY20-26P-DT1-P5E-BR](#) [LY20-28P-DT1-P1E-BR](#) [LY20-28P-DT1-P5E-BR](#) [LY20-30P-DT1-P1E-BR](#) [LY20-30P-DT1-P5E-BR](#) [LY20-32P-DT1-P1E-BR](#) [LY20-32P-DT1-P5E-BR](#) [LY20-34P-DT1-P1E-BR](#) [LY20-34P-DT1-P5E-BR](#) [LY20-36P-DT1-P1E-BR](#) [LY20-36P-DT1-P5E-BR](#) [LY20-38P-DT1-P1E-BR](#) [LY20-38P-DT1-P5E-BR](#) [LY20-40P-DT1-P5E-BR](#) [LY20-42P-DT1-P1E-BR](#) [LY20-42P-DT1-P5E-BR](#) [LY20-44P-DT1-P1E-BR](#) [LY20-6P-DT1-P1E-BR](#) [LY20-6P-DT1-P5E-BR](#) [LY20-8P-DT1-P1E-BR](#) [LY20-8P-DT1-P5E-BR](#)