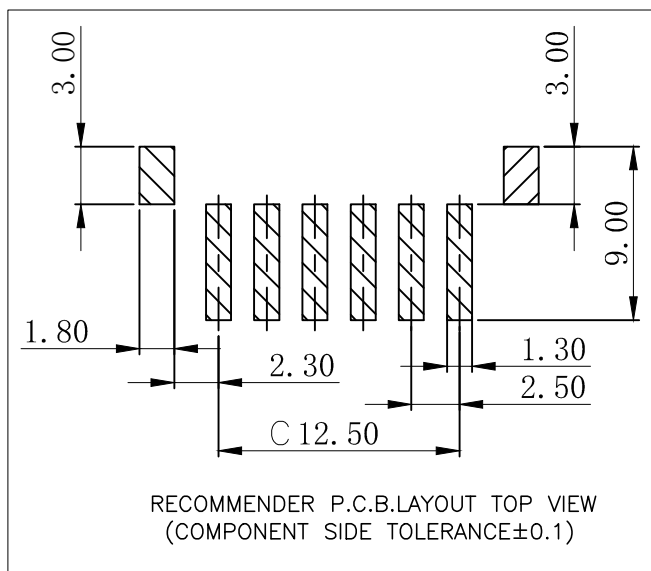
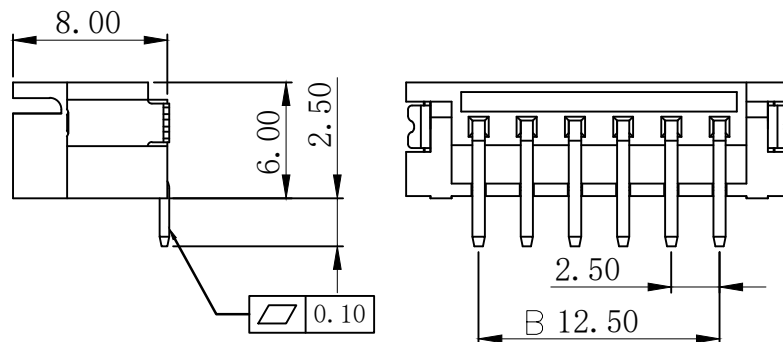
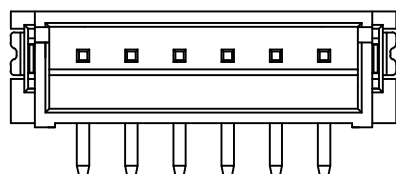
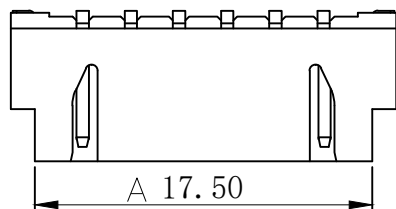


修订 REV	标记 MARK	修改摘要 REVISION DESCRIPTION	签名 SIGNATURE	日期 DATE
AO		NEW RELEASE	黄艳兰	2020-12-10



PIN数	A±0.15	B±0.15	
2P	7.50	2.50	
3P	10.00	5.00	
4P	12.50	7.50	
5P	15.00	10.00	
6P	17.50	12.50	
7P	20.00	15.00	
8P	22.50	17.50	
9P	25.00	20.00	
10P	27.50	22.50	
11P	30.00	25.00	
12P	32.50	27.50	
13P	35.00	30.00	
14P	37.50	32.50	
15P	40.00	35.00	
16P	42.50	37.50	

Specifications:

- 1.Rated Voltage : 250V AC/DC
- 2.Rated Current : 3A AC,DC
- 3.Withstand Voltage : 1000V AC/minute
- 4.Contact Resistance : 30mΩ(MAX.)
- 5.Insulation Resistance : 1000MΩ(MIN.)
- 6.Storage Temperature Range:-40°C~+85°C;
- 7.Operation Temperature Range:-25°C~+70°C;

Material:

- 1.Homing:High temperature plastic,LCP Natural
- 2.Contact: Copper alloy,Plating Ni&Sn
- 3.Solder tab: Copper alloy,Plating Ni&Sn



深圳市华德共创科技有限公司

Shenzhen Huade co-create Technology Co.,LTD

TEL : 0755-27129737 FAX : 0755-29940187

-TOLERANCES- UNLESS OTHERWISE SPECIFIED 公差参数表					TITLE: 产品名称: XH2.5立贴			
X.X	±0.30	X.X°	±3°	APPD: 核准: 谢亮	PART NO: 产品编号: HDGC2501WV-S-XP			
X.XX	±0.30	X.XX°	±2°	CHECK: 校对: 王建业	DATE	SCALE	UNIT	CODE NUMBER
X.XXX	±0.10	X.XXX°	±1°	DRAW: 绘图: 黄艳兰	2020-12-10	1:1	mm	A070