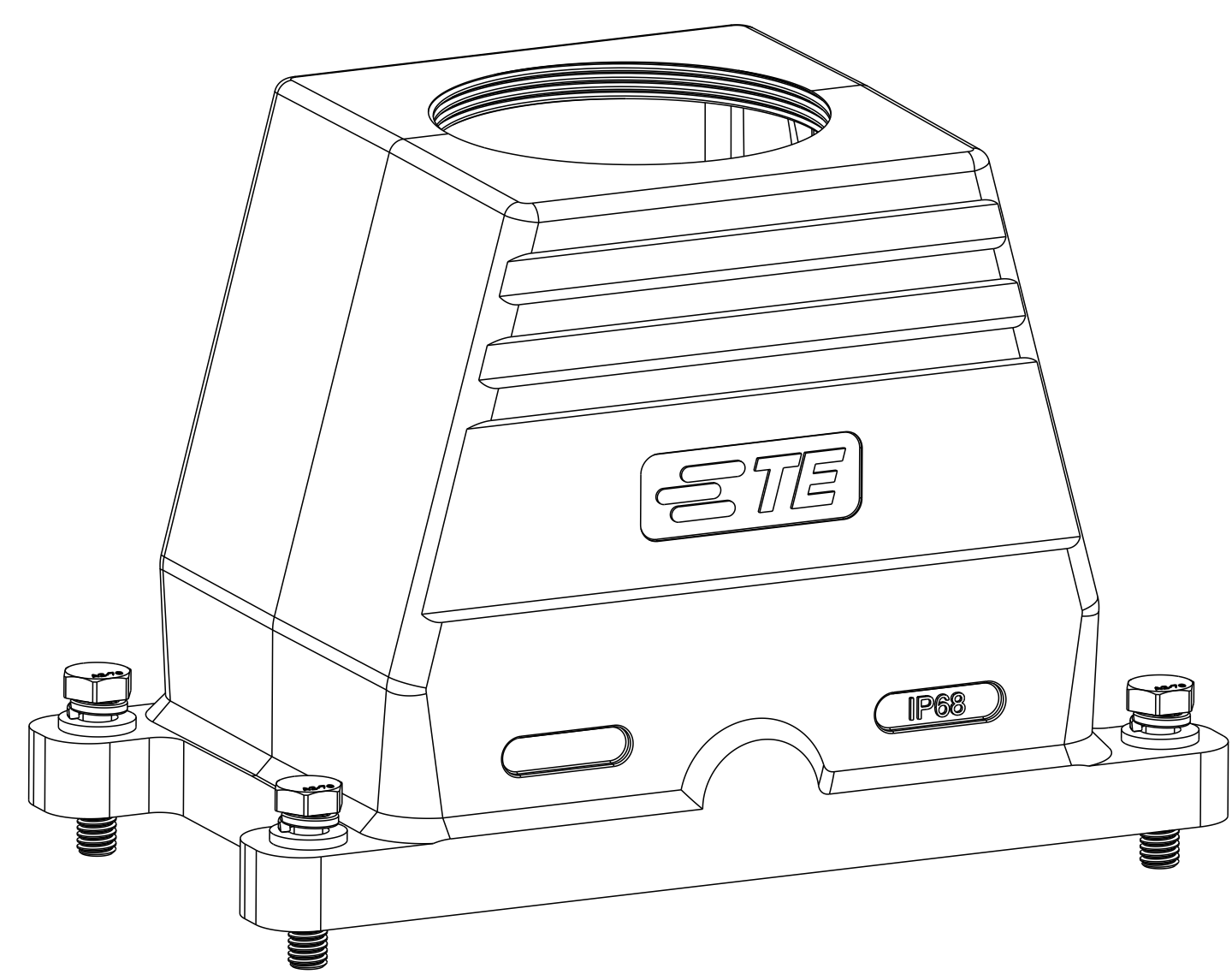
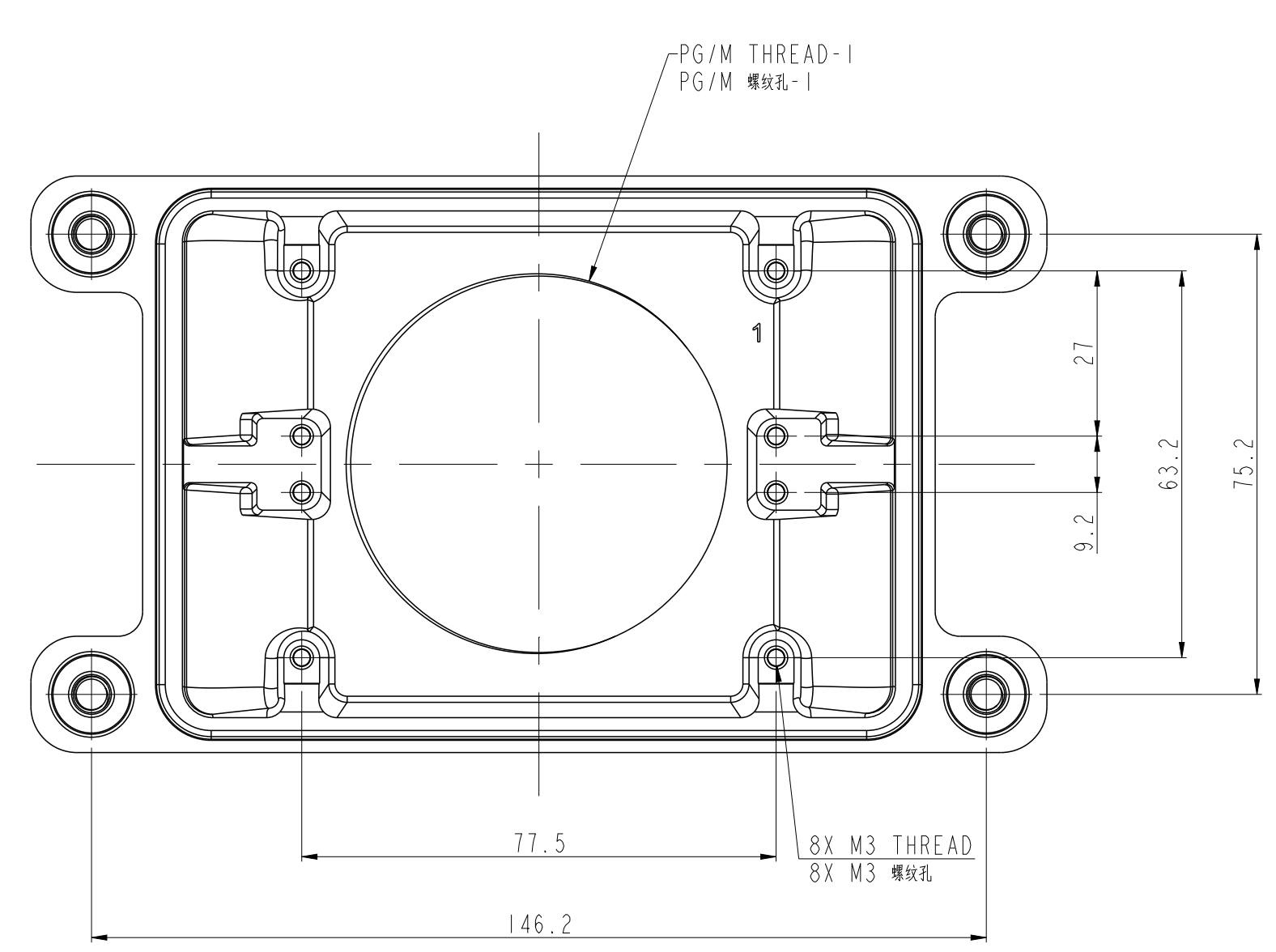
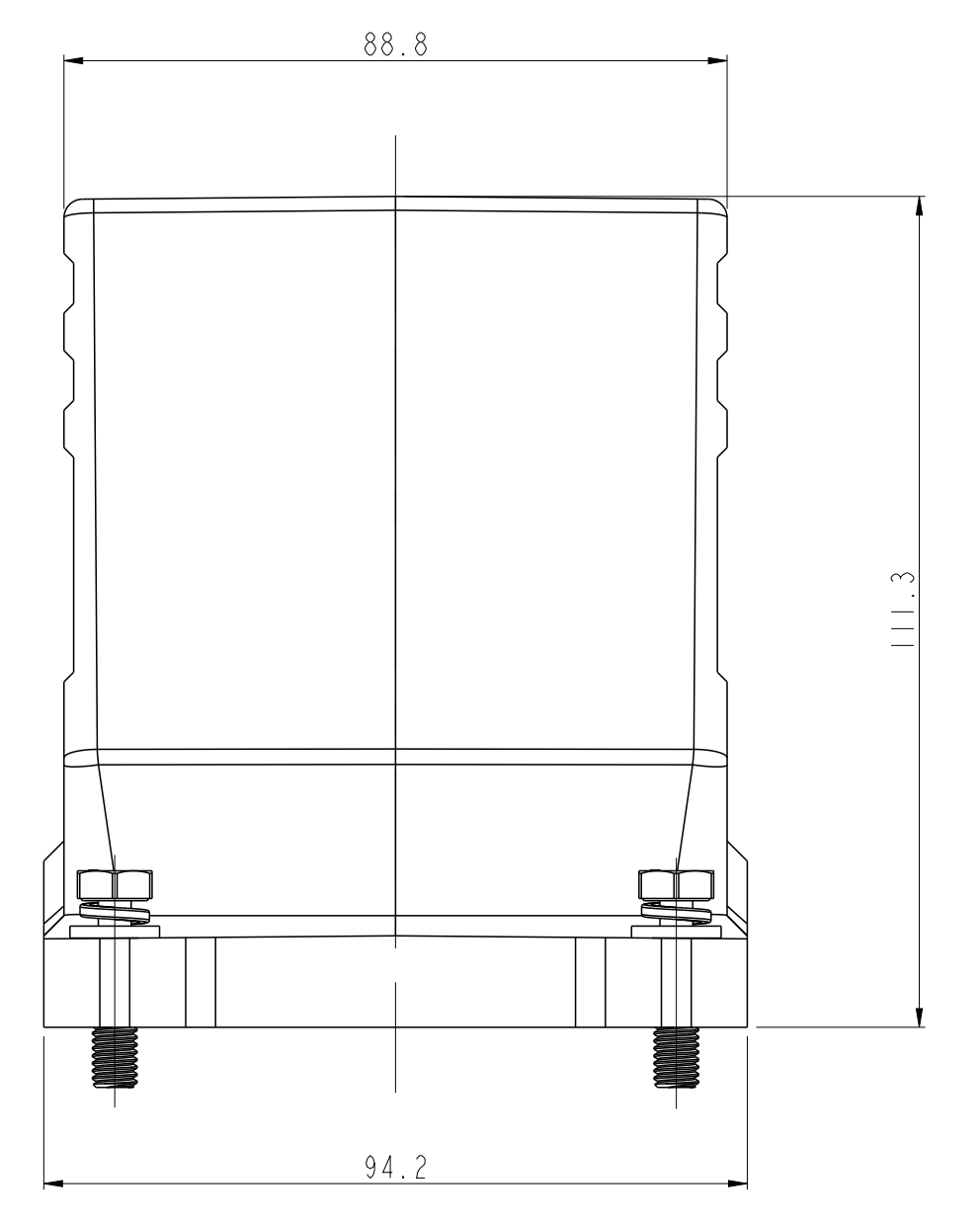
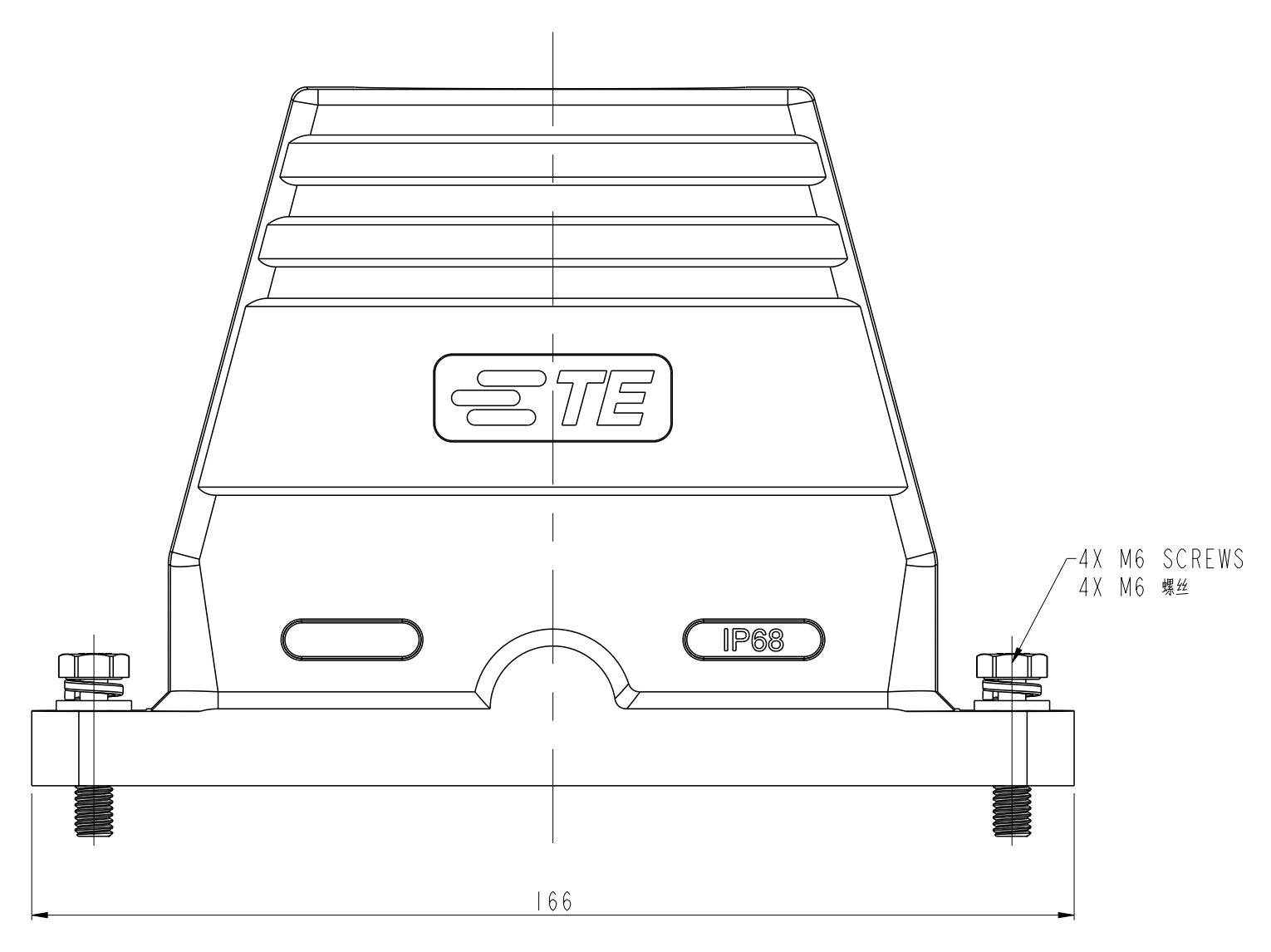
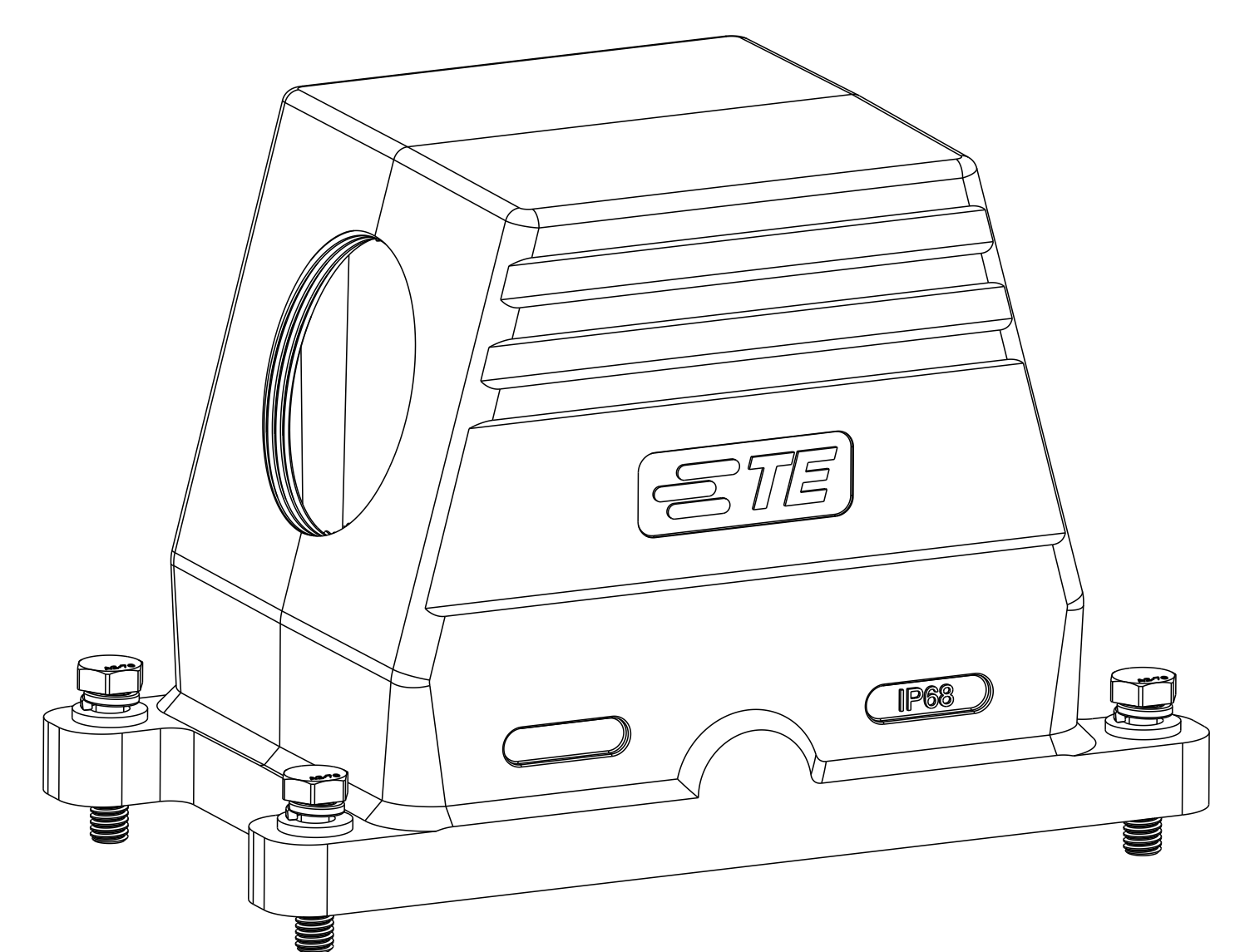
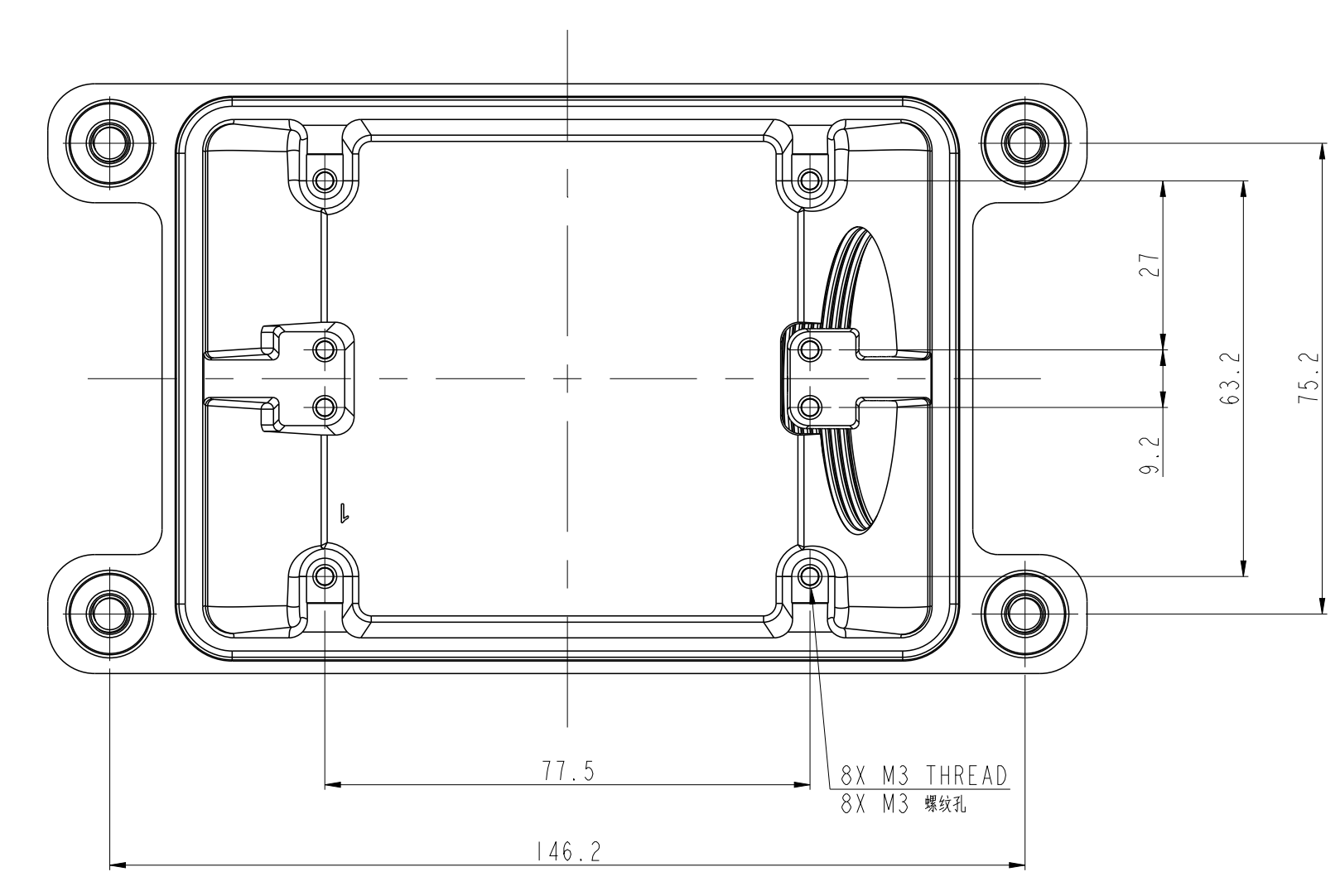
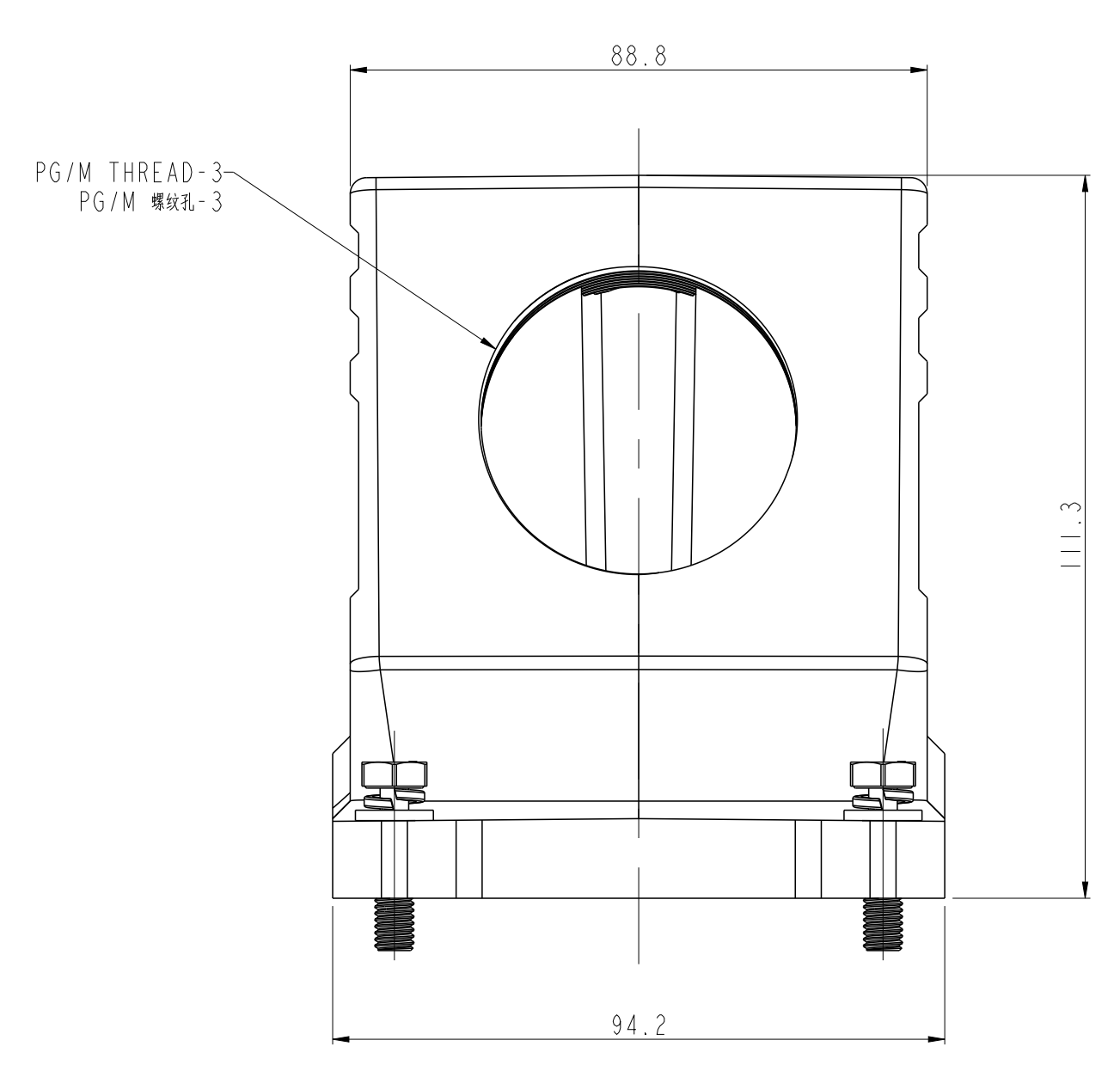
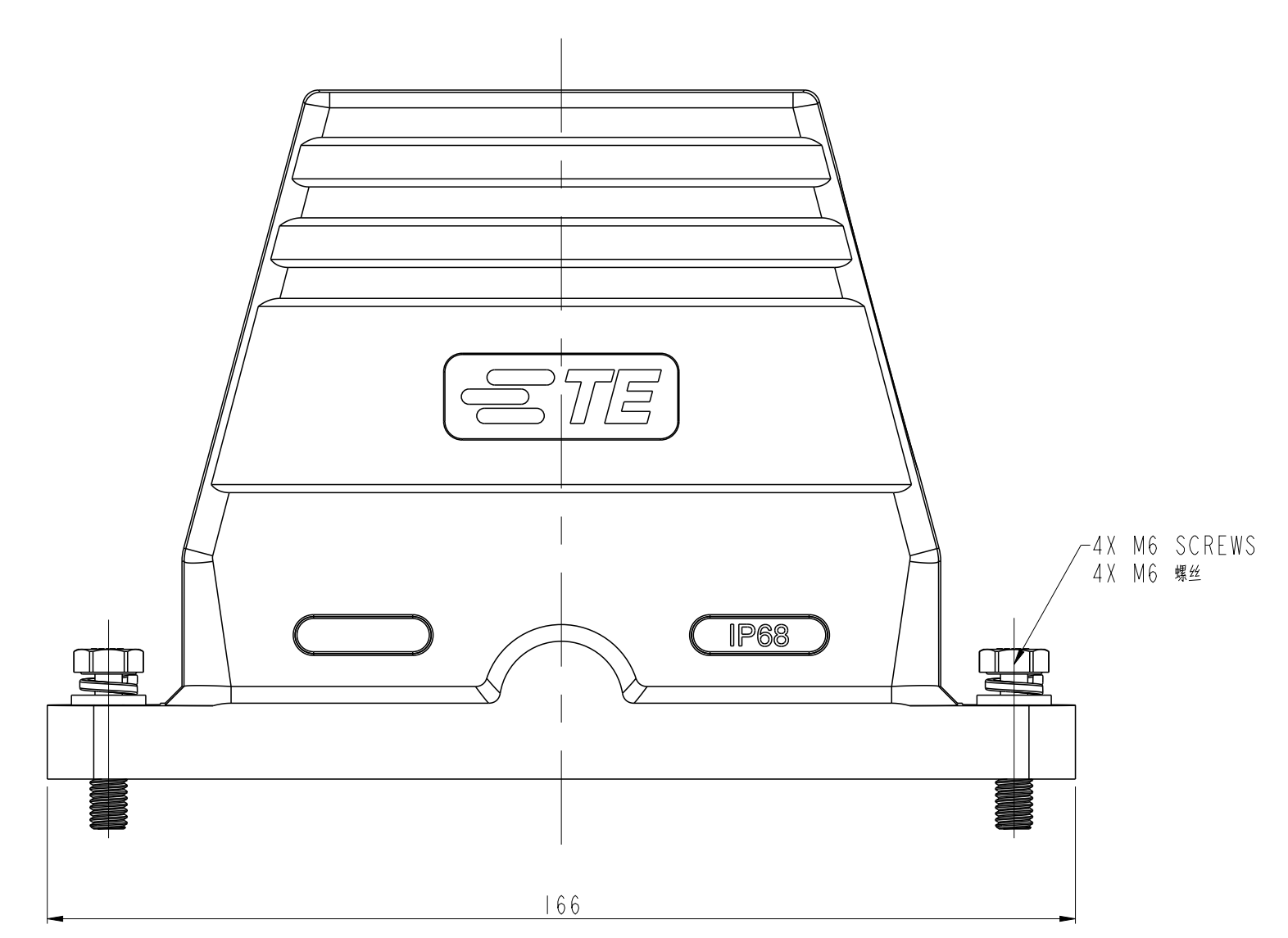


REVISIONS			
REV	DATE	BY	APPD
A	26JUL2016	DY	CW
A1	15OCT2016	DY	CW
A2	19MAR2019	CD	CW

TYPE-1: STANDARD TOP ENTRY
 AM-1: 00000

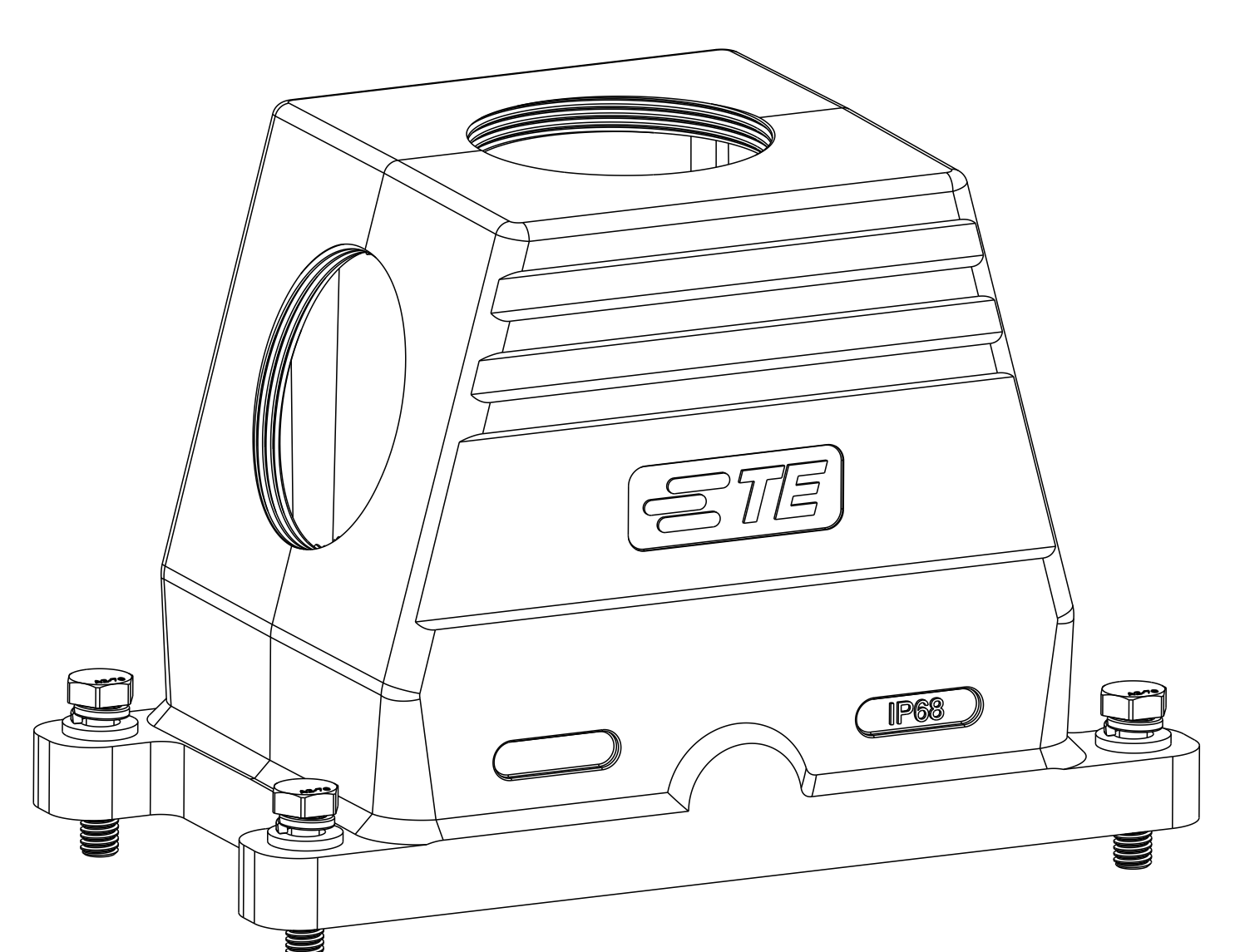
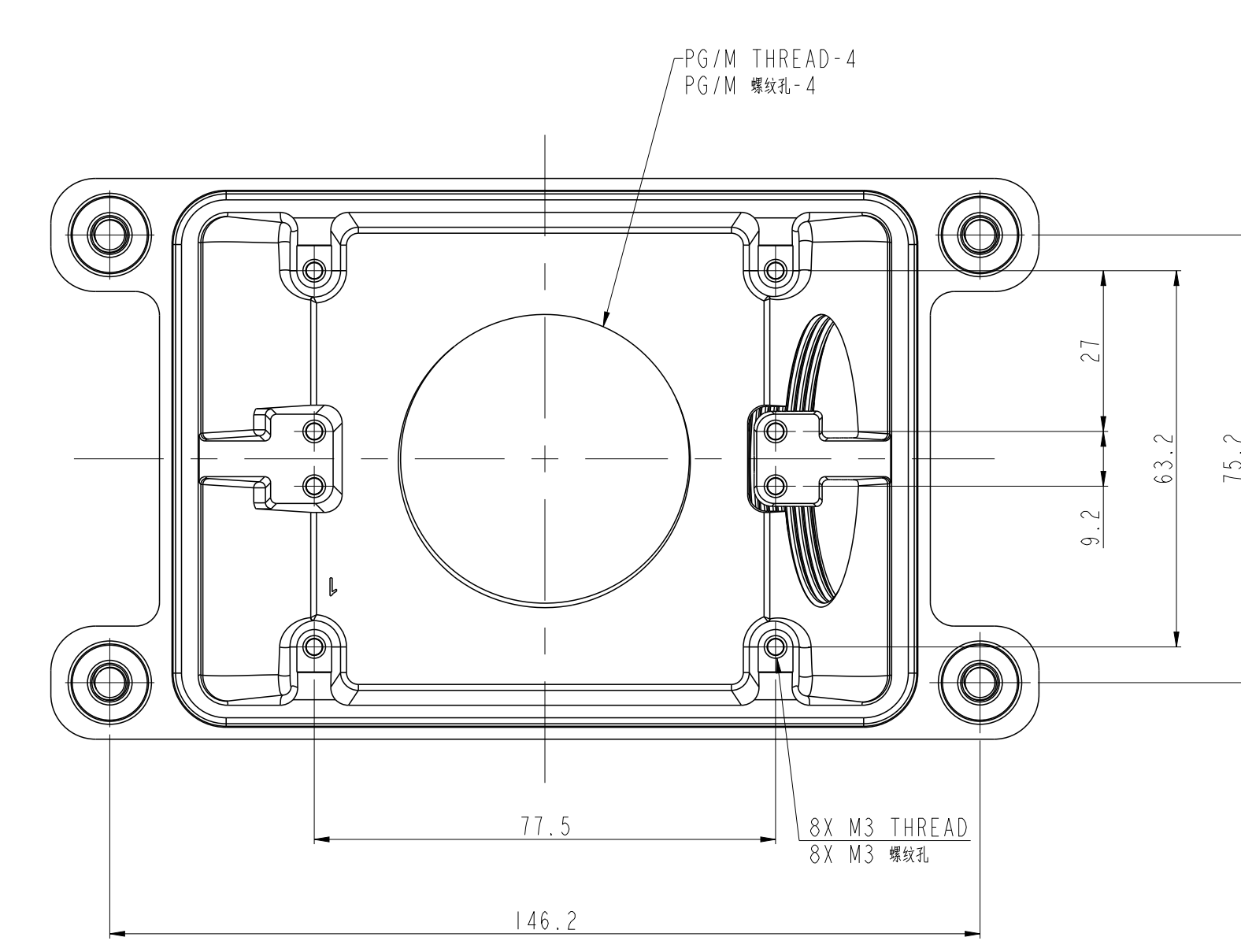
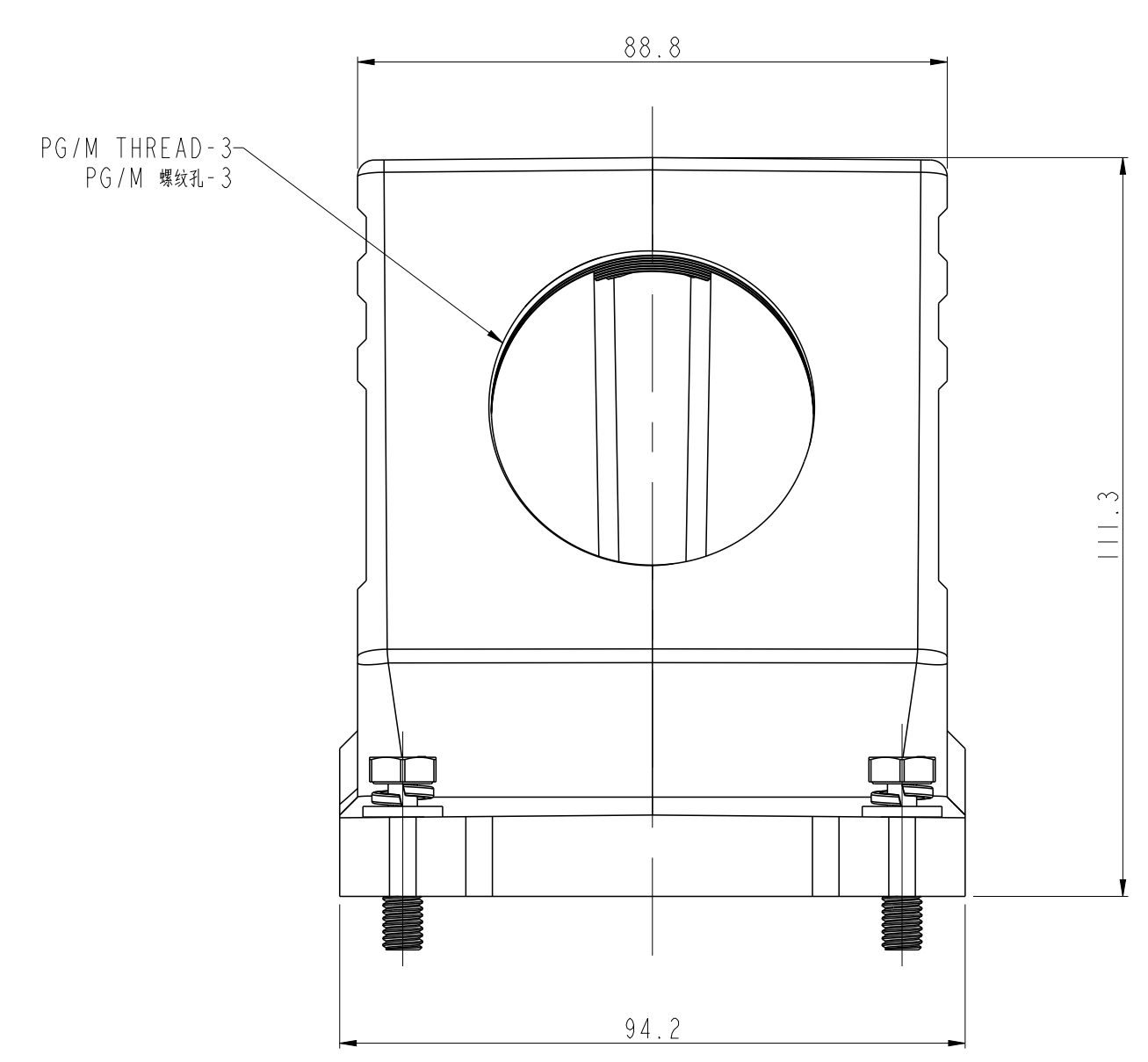
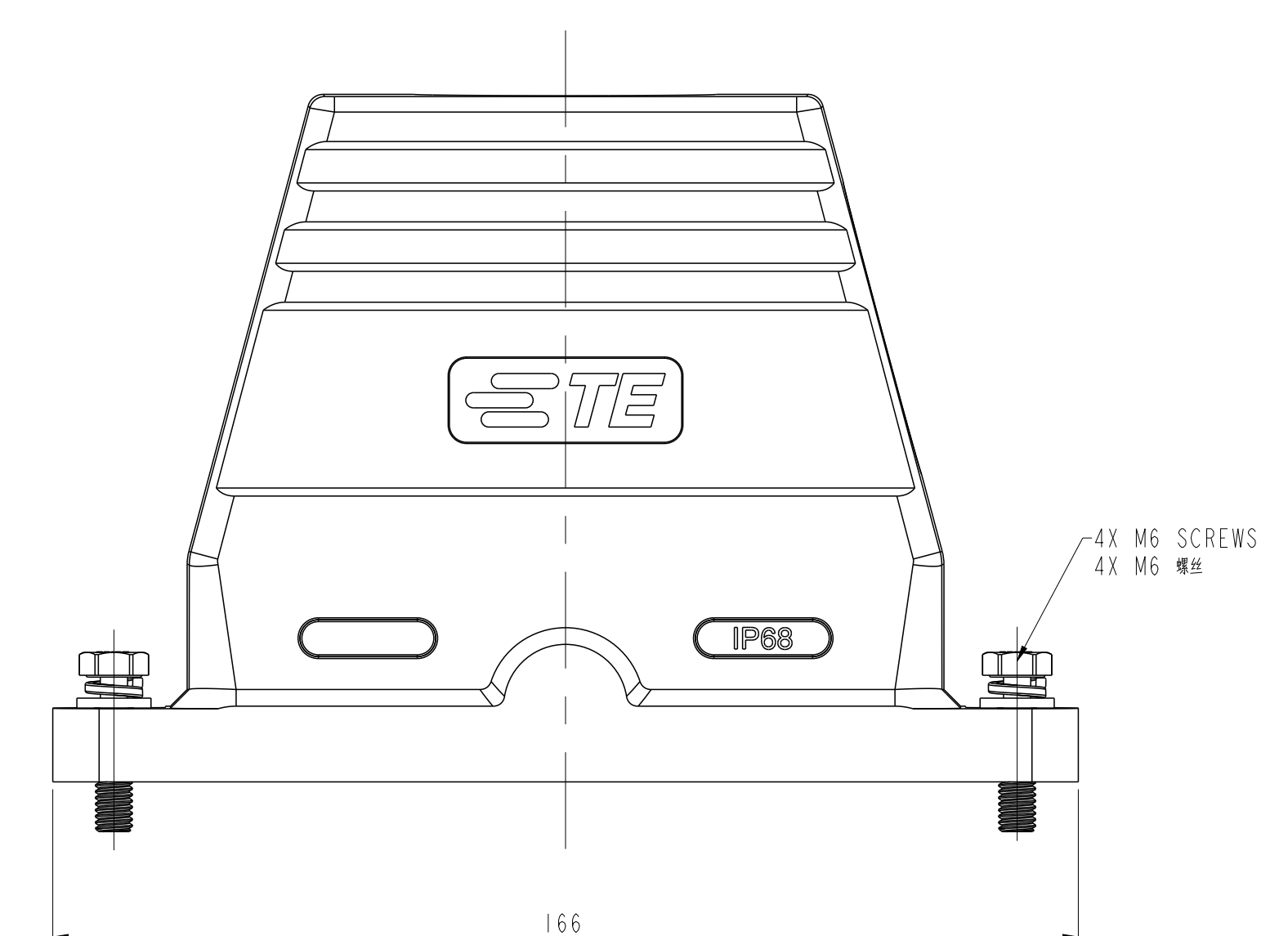


TYPE-2: STANDARD SIDE ENTRY
 AM-2: 00000

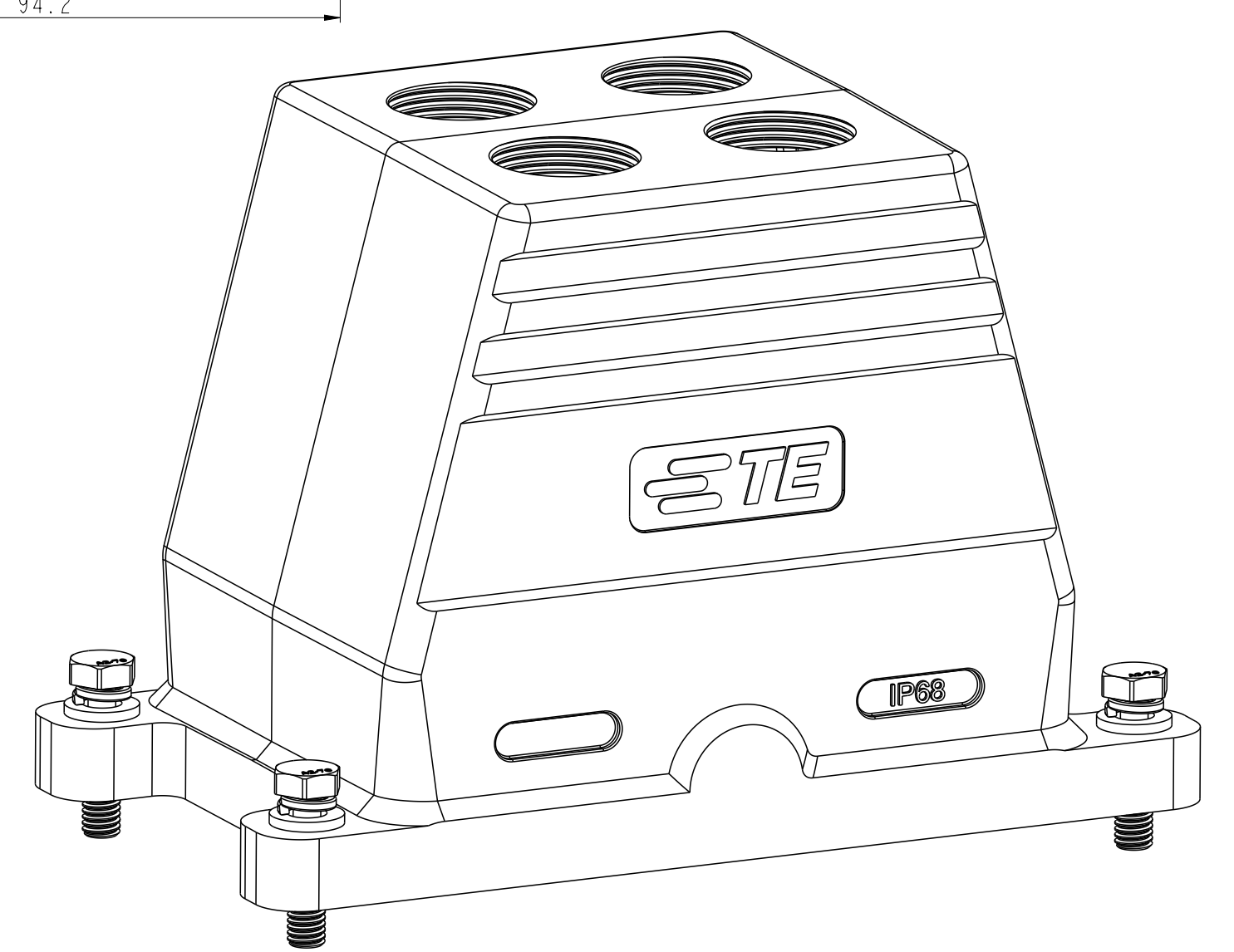
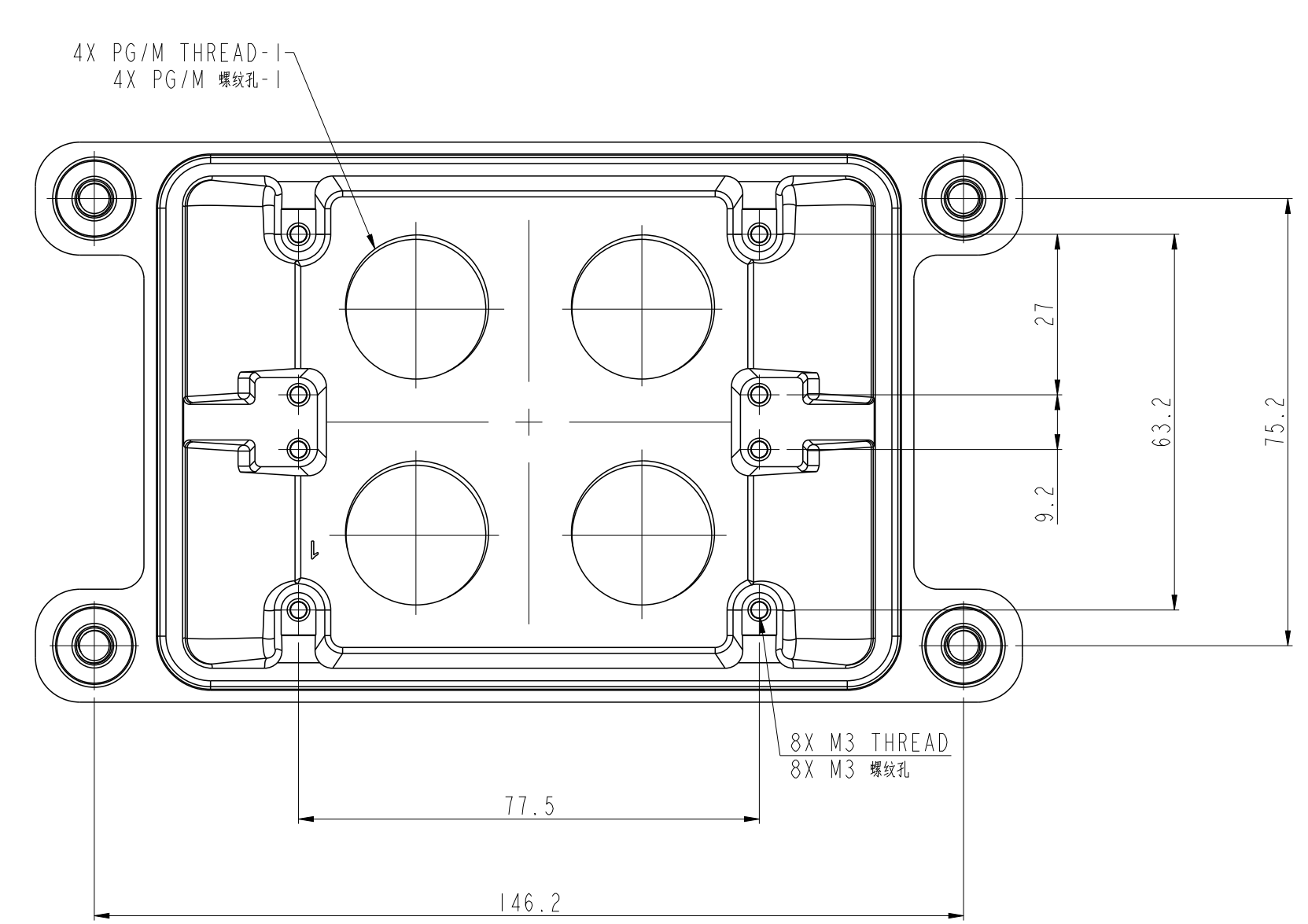
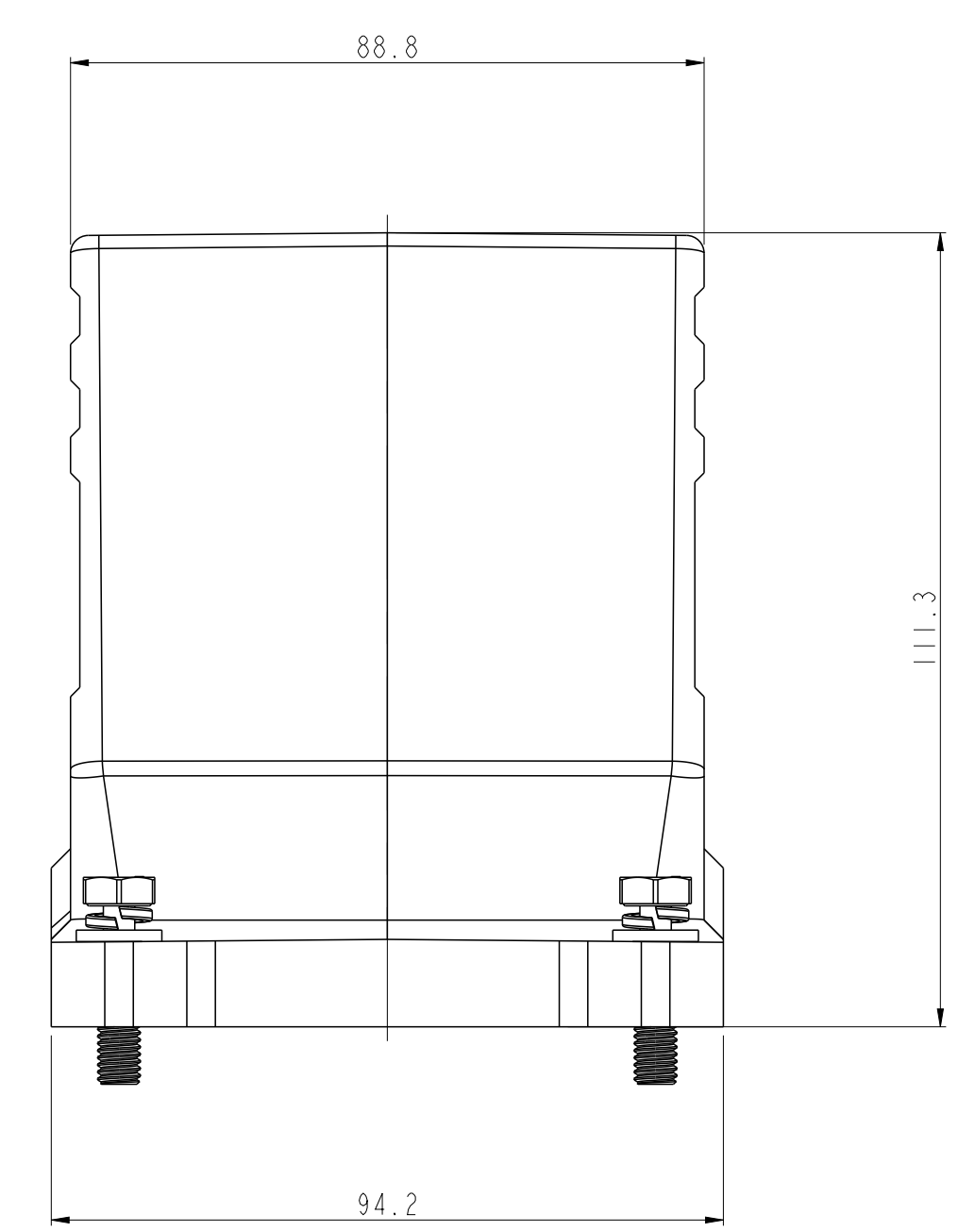
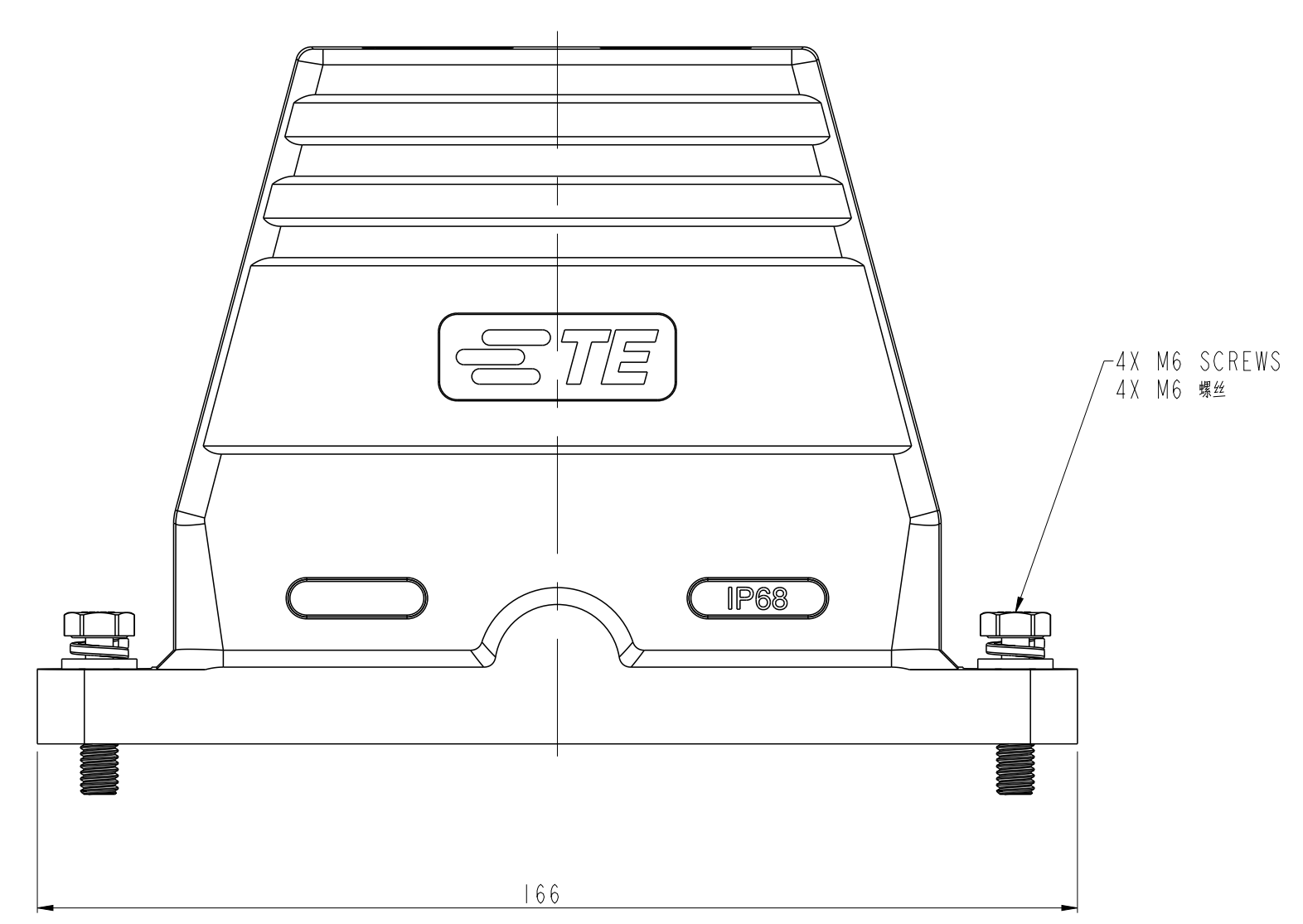


NOTES:
 1. TECHNICAL CHARACTERISTICS:
 HOOD MATERIAL: DIE CAST ALUMINIUM ALLOY
 SURFACE: POWDER COATED
 DEGREE OF PROTECTION: IP68 (MATED)
 DIM:
 1. 00000
 2. 00000
 3. 00000
 4. 00000

TYPE-3: STANDARD SIDE AND TOP ENTRY
 AM-3: 00000



TYPE-4: TOP ENTRY (FOUR HOLES)
 AM-4: 146



THIS DRAWING IS A CONTROLLED DOCUMENT.		DATE: 28JUL2016	BY: QIANG, YUAN	APPD: 28JUL2016	NAME: H32BPR-TGH-4S-PG/M
DIMENSIONS: DIMS: 0.130 (5.118) UNLESS OTHERWISE SPECIFIED.		DATE: 28JUL2016	BY: XUE, ZENG	APPD: 28JUL2016	NAME: H32BPR-TGH-4S-PG/M
MATERIAL: -		DATE: 28JUL2016	BY: CHRIS, WANG	APPD: 28JUL2016	NAME: H32BPR-TGH-4S-PG/M
FINISH: -		DATE: 28JUL2016	BY: -	APPD: -	NAME: -
CUSTOMER DRAWING		SCALE: 1:1	SHEET: 1 of 2	REV: A2	RESTRICTED TO: -

REVISIONS			
#	DATE	DESCRIPTION	BY
-	-	SEE SHEET 1	-

NOTES:
 SEE SHEET 1
 ■:
 X SHEET 1

PN	REV	DESCRIPTION	DATE	BY	APPD		
T1926320425-000		H32BPR HOOD, QUADRANGE LOCKING, TOP ENTRY 4M25, POWDER COATED, BLACK H32BPR上盖, 四角锁死, 顶盖4M25, 黑色粉末喷涂	4X M25X1.5	-	-		
T1906325050-002		H32BPR HOOD, QUADRANGE LOCKING, SIDE ENTRY M50, TOP ENTRY M50, POWDER COATED, GREY H32BPR上盖, 四角锁死, 侧盖M50, 顶盖M50, 灰色粉末喷涂	-	-	M50X1.5		
T1906325050-000		H32BPR HOOD, QUADRANGE LOCKING, SIDE ENTRY M50, TOP ENTRY M50, POWDER COATED, BLACK H32BPR上盖, 四角锁死, 侧盖M50, 顶盖M50, 黑色粉末喷涂	-	-	M50X1.5		
T1916322163-000		H32BPR HOOD, QUADRANGE LOCKING, SIDE ENTRY M63, POWDER COATED, GREY H32BPR上盖, 四角锁死, 侧盖M63, 灰色粉末喷涂	-	M63X1.5	-		
T1916322150-000		H32BPR HOOD, QUADRANGE LOCKING, SIDE ENTRY M50, POWDER COATED, GREY H32BPR上盖, 四角锁死, 侧盖M50, 灰色粉末喷涂	-	M50X1.5	-		
T1916322148-000		H32BPR HOOD, QUADRANGE LOCKING, SIDE ENTRY PG48, POWDER COATED, GREY H32BPR上盖, 四角锁死, 侧盖PG48, 灰色粉末喷涂	-	PG48	-		
T1916322142-000		H32BPR HOOD, QUADRANGE LOCKING, SIDE ENTRY PG42, POWDER COATED, GREY H32BPR上盖, 四角锁死, 侧盖PG42, 灰色粉末喷涂	-	PG42	-		
T1916320163-000		H32BPR HOOD, QUADRANGE LOCKING, SIDE ENTRY M63, POWDER COATED, BLACK H32BPR上盖, 四角锁死, 侧盖M63, 黑色粉末喷涂	-	M63X1.5	-		
T1916320150-000		H32BPR HOOD, QUADRANGE LOCKING, SIDE ENTRY M50, POWDER COATED, BLACK H32BPR上盖, 四角锁死, 侧盖M50, 黑色粉末喷涂	-	M50X1.5	-		
T1916320148-000		H32BPR HOOD, QUADRANGE LOCKING, SIDE ENTRY PG48, POWDER COATED, BLACK H32BPR上盖, 四角锁死, 侧盖PG48, 黑色粉末喷涂	-	PG48	-		
T1916320142-000		H32BPR HOOD, QUADRANGE LOCKING, SIDE ENTRY PG42, POWDER COATED, BLACK H32BPR上盖, 四角锁死, 侧盖PG42, 黑色粉末喷涂	-	PG42	-		
T1926322163-000		H32BPR HOOD, QUADRANGE LOCKING, TOP ENTRY M63, POWDER COATED, GREY H32BPR上盖, 四角锁死, 顶盖M63, 灰色粉末喷涂	M63X1.5	-	-		
T1926322150-000		H32BPR HOOD, QUADRANGE LOCKING, TOP ENTRY M50, POWDER COATED, GREY H32BPR上盖, 四角锁死, 顶盖M50, 灰色粉末喷涂	M50X1.5	-	-		
T1926322148-000		H32BPR HOOD, QUADRANGE LOCKING, TOP ENTRY PG48, POWDER COATED, GREY H32BPR上盖, 四角锁死, 顶盖PG48, 灰色粉末喷涂	PG48	-	-		
T1926322142-000		H32BPR HOOD, QUADRANGE LOCKING, TOP ENTRY PG42, POWDER COATED, GREY H32BPR上盖, 四角锁死, 顶盖PG42, 灰色粉末喷涂	PG42	-	-		
T1926320163-000		H32BPR HOOD, QUADRANGE LOCKING, TOP ENTRY M63, POWDER COATED, BLACK H32BPR上盖, 四角锁死, 顶盖M63, 黑色粉末喷涂	M63X1.5	-	-		
T1926320150-000		H32BPR HOOD, QUADRANGE LOCKING, TOP ENTRY M50, POWDER COATED, BLACK H32BPR上盖, 四角锁死, 顶盖M50, 黑色粉末喷涂	M50X1.5	-	-		
T1926320148-000		H32BPR HOOD, QUADRANGE LOCKING, TOP ENTRY PG48, POWDER COATED, BLACK H32BPR上盖, 四角锁死, 顶盖PG48, 黑色粉末喷涂	PG48	-	-		
T1926320142-000		H32BPR HOOD, QUADRANGE LOCKING, TOP ENTRY PG42, POWDER COATED, BLACK H32BPR上盖, 四角锁死, 顶盖PG42, 黑色粉末喷涂	PG42	-	-		
PART NUMBER		PART DESCRIPTION	PG/M THREAD-1 PG/M 螺孔-1	PG/M THREAD-2 PG/M 螺孔-2	PG/M THREAD-3 PG/M 螺孔-3	PG/M THREAD-4 PG/M 螺孔-4	TYPE 类型

THIS DRAWING IS A CONTROLLED DOCUMENT. DATE: 28JUL2016
 DIMENSIONS: (mm) DATE: 28JUL2016
 MATERIAL: FINISH: WEIGHT: A0
 SCALE: 1:1 SHEET 2 OF 2 REV A2
STE TE Connectivity
 H32BPR-TGH-4S-PG/M

Mouser Electronics

Authorized Distributor

Click to View Pricing, Inventory, Delivery & Lifecycle Information:

[TE Connectivity:](#)

[T1926320142-000](#) [T1926320148-000](#) [T1926320150-000](#) [T1926320163-000](#)