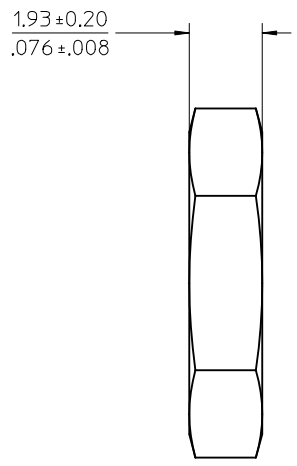
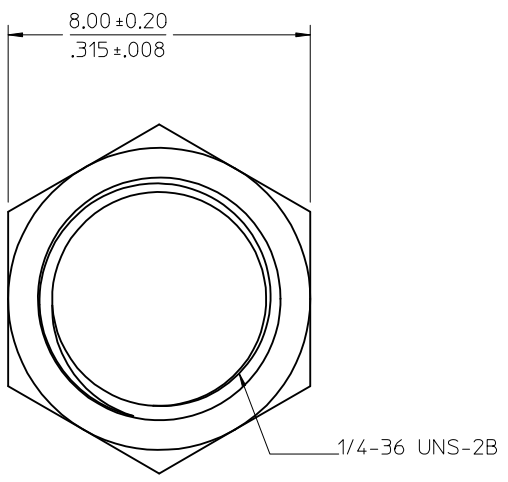
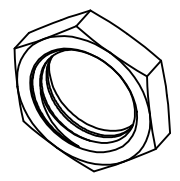


MATERIALS AND FINISHES

BRASS
 PLATING GOLD 1μ MIN. OVER
 NICKEL 50μMIN.

PACKAGE BY POLYBAG



PART NO.# 89611-0529

J
I
H
G
F
E
D
C
B
A

CHG NEW RELEASE EWR: RE15-0529 ECR No: URF-2015-0459 DRAWN: YCHENG 2015/03/04 CHKD: APPR: YCHENG 2015/03/06	REV	DESCRIPTION	QUALITY SYMBOLS
	A		▽=0 ▽=0 ▽=0

GENERAL TOLERANCES (UNLESS SPECIFIED)	
mm	INCH
4 PLACES ± .005	± .0005
3 PLACES ± .004	± .0004
2 PLACES ± .003	± .0003
1 PLACE ± .002	± .0002
0 PLACE ± .001	± .0001
ANGULAR ± 2°	
DRAFT WHERE APPLICABLE MUST REMAIN WITHIN DIMENSIONS	

DIMENSION STYLE	
MM/IN	
DRAWN BY	DATE
YCHENG	2015/03/04
CHECKED BY	DATE
JOANNE	2015/03/04
APPROVED BY	DATE
YCHENG	2015/03/06
MATERIAL NO.	
896110529	

SCALE	DESIGN UNITS	THIRD ANGLE PROJECTION
	METRIC	
TITLE		
JAM NUT		
DOCUMENT NO.		SHEET NO.
SD-89611-0529		1 OF 1
THIS DRAWING CONTAINS INFORMATION THAT IS PROPRIETARY TO MOLEX INCORPORATED AND SHOULD NOT BE USED WITHOUT WRITTEN PERMISSION		