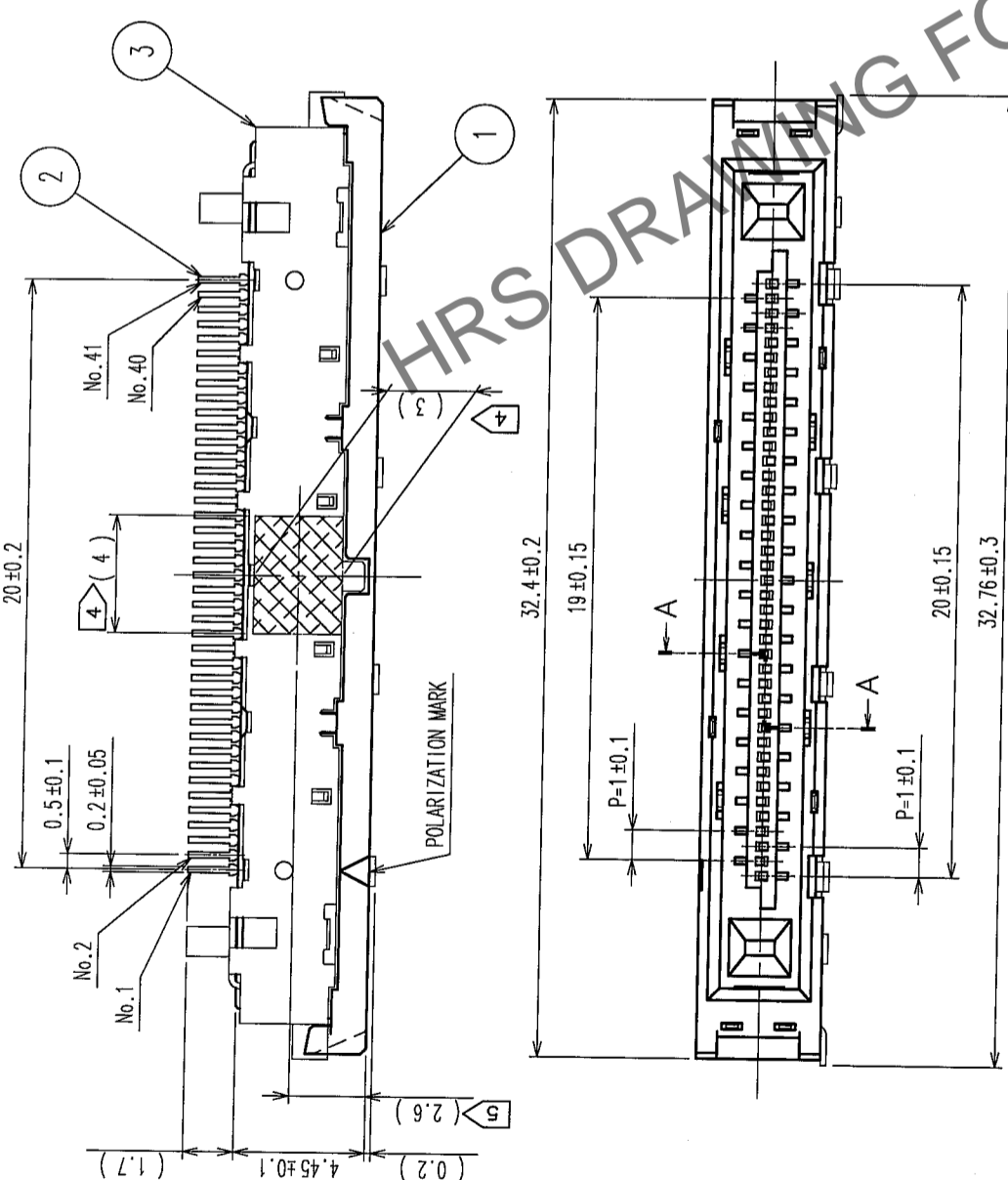
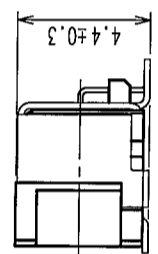
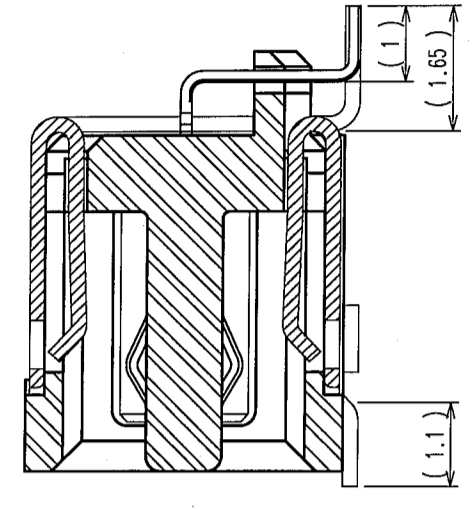


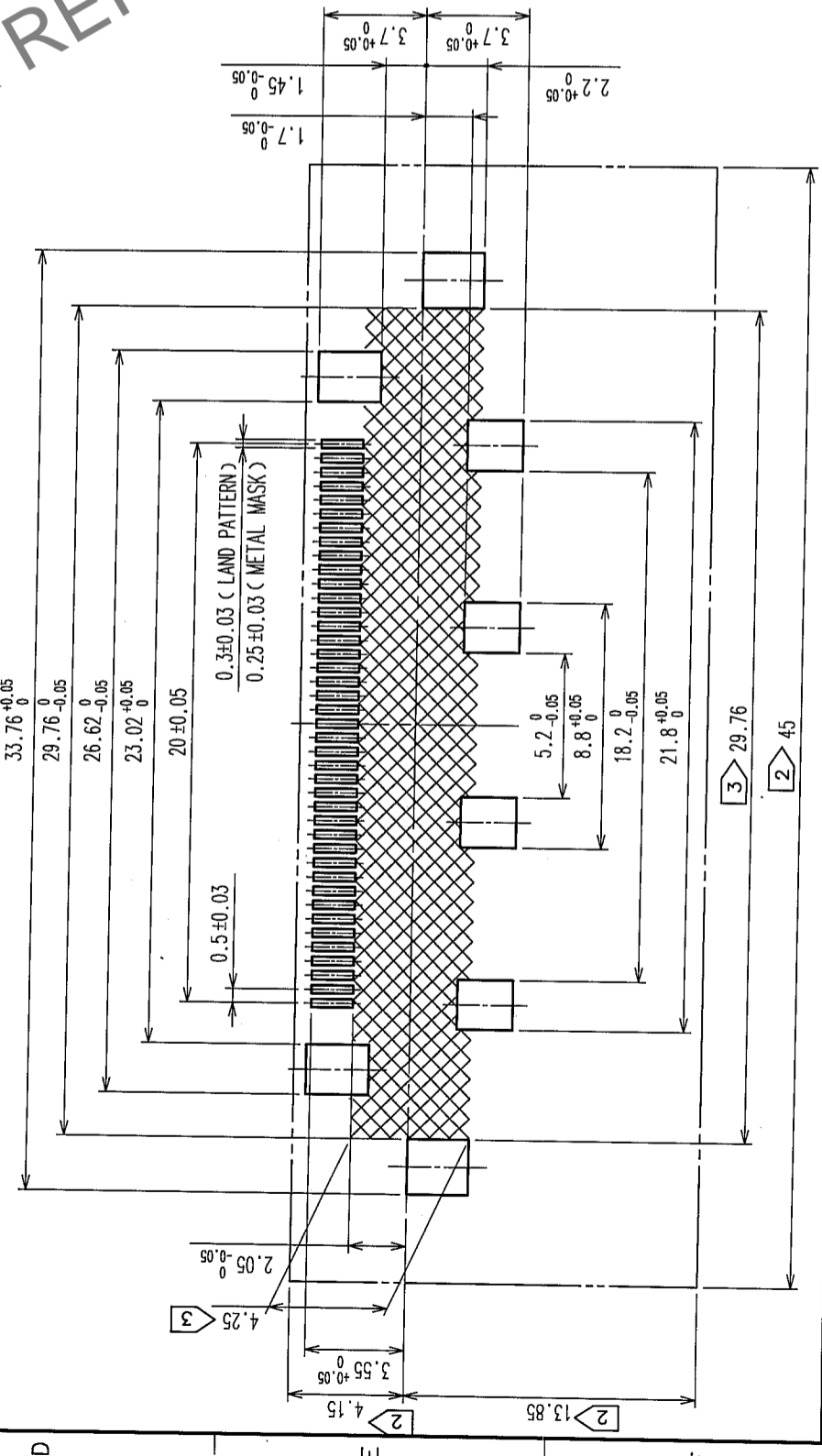
COUNT	DESCRIPTION OF REVISIONS	BY	CHKD	DATE	COUNT	DESCRIPTION OF REVISIONS	BY	CHKD	DATE
△					△				
△					△				
△					△				

COUNT	DESCRIPTION OF REVISIONS	BY	CHKD	DATE	COUNT	DESCRIPTION OF REVISIONS	BY	CHKD	DATE
△					△				
△					△				
△					△				

AA(10:1)



RECOMMENDED LAND PATTERN DIMENSION OF P.C.B



- NOTE 1 LEAD-COPLANARITY OF THIS PRODUCT TO BE 0.1MAX FOR SMT LEAD AND 0.15MAX FOR GROUND PLATE LEAD.
 2 DO NOT MOUNT OTHER DEVICES ONTO [] AREA, OR MATINGPAIR CANNOT BE MATED AND OPERATED THE LOCK PARTS.
 3 [] AREA OF INNER SMT LAND REQUIRES PATTERN PROHIBITION OR RESIST TREATMENT TO PREVENT THE PATTERN TOUCHING TO THE CONTACTS.
 4 [] AREA IS VACUUM PICKUP AREA FOR REFERENCE.
 5 THE DIMENSION IS THE CENTER OF VACUUM PICKUP AREA.
 6 THE DIMENSIONS IN PARENTHESES ARE FOR REFERENCE.
 7 PACKAGING FOR THIS PRODUCT APPLIES EMBOSSED CARRIER TAPE PACKAGING.
 SEE SHEET 2/2 FOR DETAILS.

NO.	MATERIAL	FINISH, REMARKS	NO.	MATERIAL	FINISH, REMARKS
3	NICKEL SILVER		2	PHOSPHOR BRONZE	
1	PA	BLACK UL94V-0			

CONTACT AREA: GOLD	LEAD AREA: TIN-PLATING	UNDER PLATING: NICKEL
0.1μm min	1μm min	0.5μm min

CODE NO. (OLD)	CL	DRAWN	DESIGNED	CHECKED	APPROVED	RELEASED
		K. SHIBUYA	K. Shibuya	H. Yamaguchi	H. Kawanaka	
		05.08.04	05.08.04	05.08.05	05.08.05	

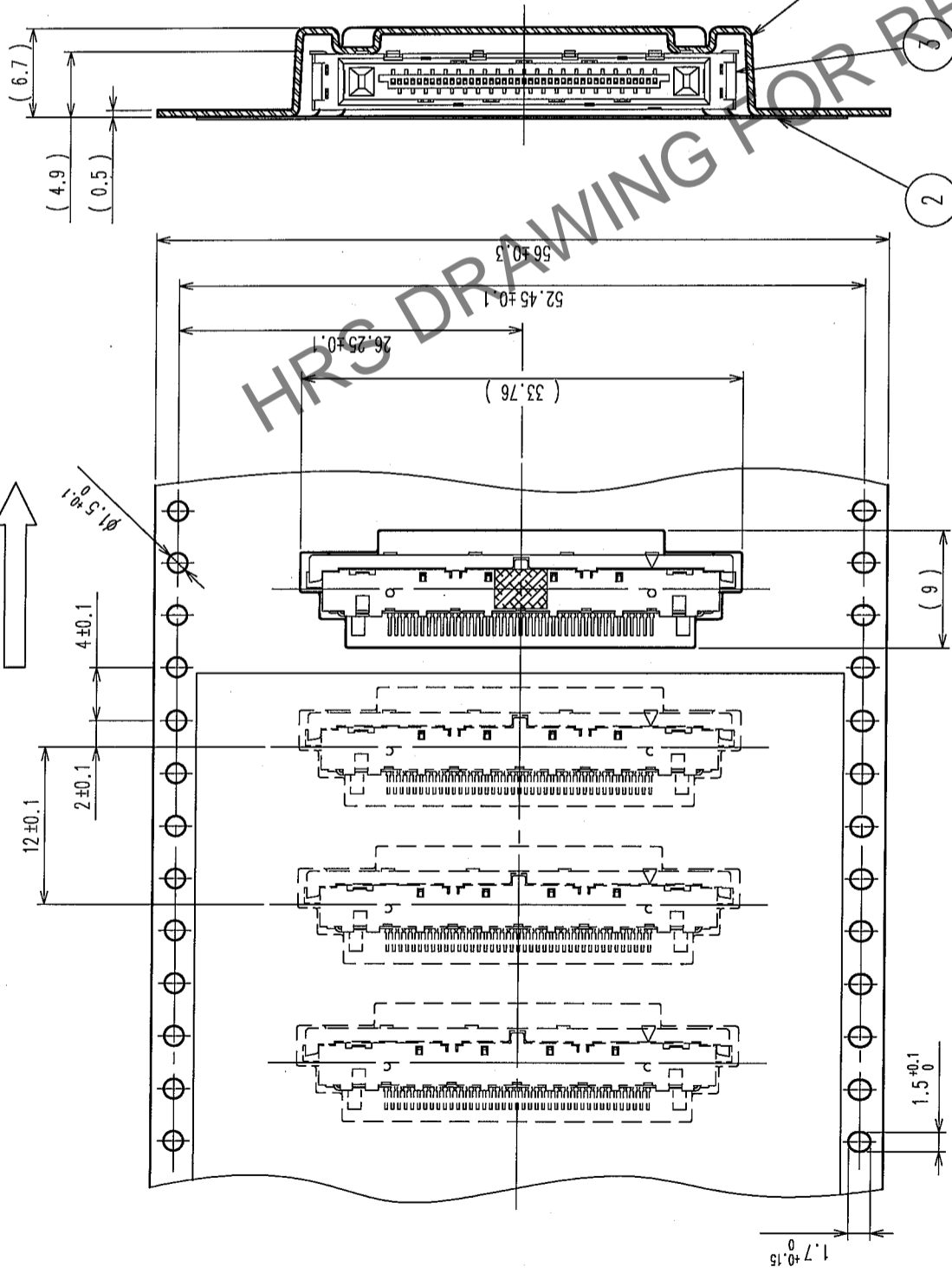
DRAWING NO.	PART NO.
EDC3-155937	FX15S-41S-0.5SH

SCALE	UNITS
4 : 1	MM

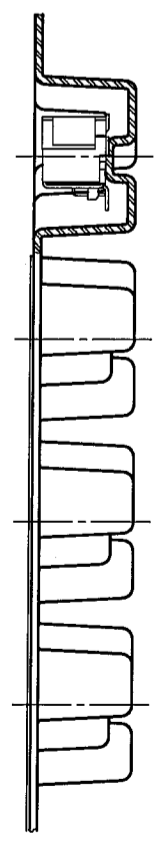
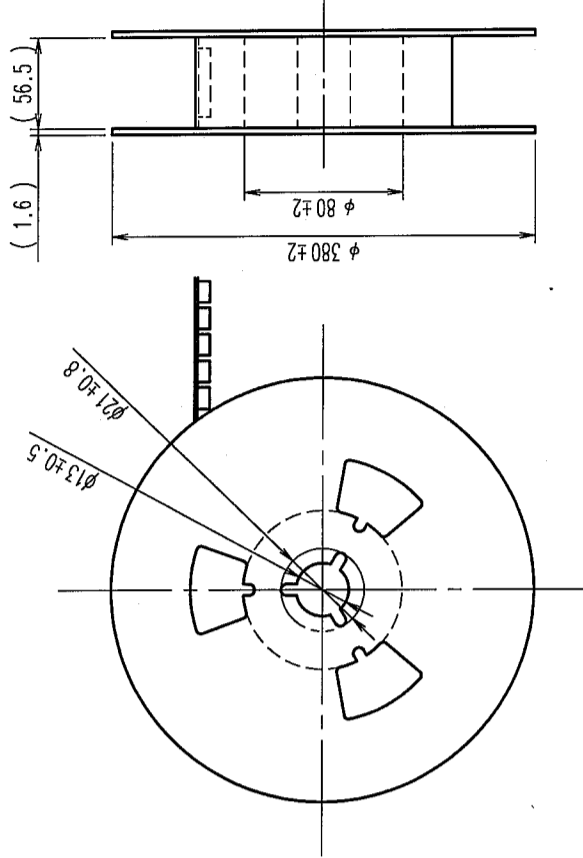
CODE NO.
CL575-2307-8

COUNT	DESCRIPTION OF REVISIONS	BY	CHKD	DATE	COUNT	DESCRIPTION OF REVISIONS	BY	CHKD	DATE
△					△				
△					△				
△					△				

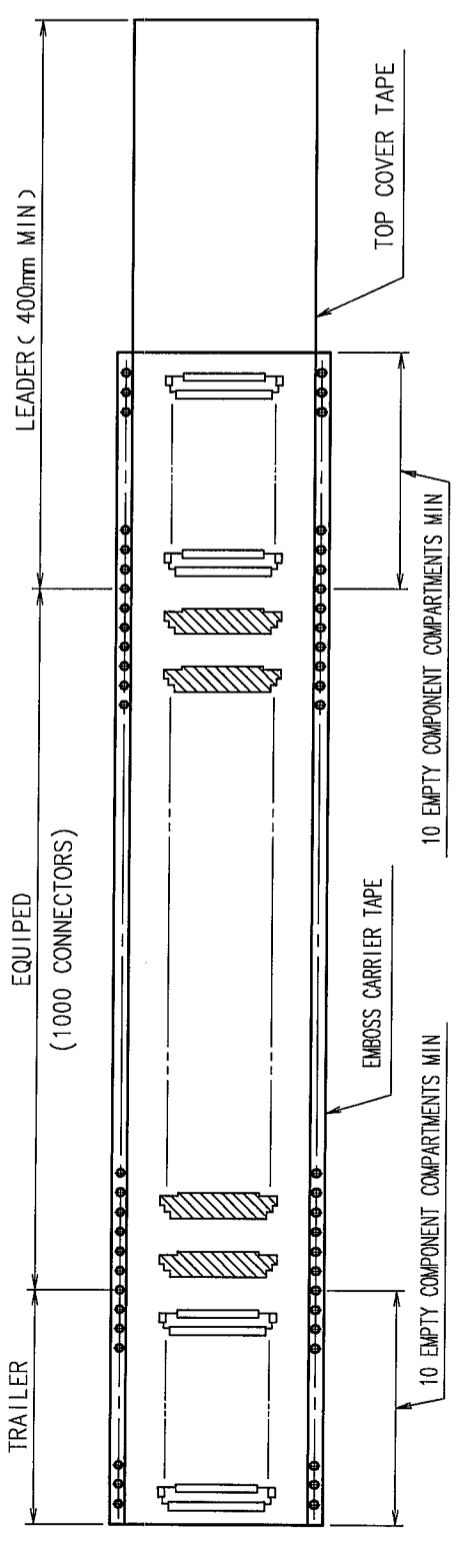
THE DIRECTION OF PULLING OUT



REELED DIMENSION (FREE)



NOTE 1. 1 REEL : 1000 CONNECTORS.



1	PS	EMBOSS CARRIER TAPE	3	CONNECTOR
NO.	MATERIAL	FINISH, REMARKS	NO.	MATERIAL
1	CL		2	POLYESTER
CODE NO. (OLD)	DRAWN	DESIGNED	CHECKED	APPROVED
	K. SHIBUYA	K. Shibuya	H. Yamaguchi	H. Okawa
	05.08.04	05.08.04	05.08.05	05.08.05
SCALE	DRAWING NO.		PART NO.	
2 : 1	EDC3-155937		FX15S-41S-0.5SH	
UNITS	CODE NO.		CODE NO.	
ITEM	HIROSE ELECTRIC CO., LTD		CL575-2307-8	

TO	
----	--