



Relays & Contactors > Contactors > DC Contactors



Relay & Contactor Type: **High Voltage Contactor**

Contact Arrangement: **1 Form X SPST-NO**

Current Type: **DC**

Contact Current Rating: **500 A**

Coil Voltage Rating: **9 – 36 VDC**

Features

Product Type Features

Relay & Contactor Type	High Voltage Contactor
------------------------	------------------------

Configuration Features

Relay Options	Not RF Rated
Contact Arrangement	1 Form X SPST-NO

Electrical Characteristics

Contact Current Rating	500 A
Coil Voltage Rating	9 – 36 VDC
Contact Switching Voltage (Max)	900 VDC
Coil Resistance	3.14 Ω

Contact Features

Contact Material	Copper
------------------	--------

Termination Features

Main Termination & Connection Type	Stud Terminals
Coil Termination & Connection Type	Flying Leads

Mechanical Attachment

Product Mounting Feature Type	Flange with Mounting Holes
Product Mount Type	Chassis



Operation/Application

Power Switching	Yes
Current Type	DC

Product Compliance

[For compliance documentation, visit the product page on TE.com>](#)

EU RoHS Directive 2011/65/EU	Compliant
EU ELV Directive 2000/53/EC	Compliant
China RoHS 2 Directive MIIT Order No 32, 2016	No Restricted Materials Above Threshold
EU REACH Regulation (EC) No. 1907/2006	Current ECHA Candidate List: JUNE 2024 (241) Candidate List Declared Against: JAN 2024 (240) Does not contain REACH SVHC
Halogen Content	Low Halogen - Br, Cl, F, I < 900 ppm per homogenous material. Also BFR/CFR/PVC Free
Solder Process Capability	Hand solderable with lead free solder

Product Compliance Disclaimer

This information is provided based on reasonable inquiry of our suppliers and represents our current actual knowledge based on the information they provided. This information is subject to change. The part numbers that TE has identified as EU RoHS compliant have a maximum concentration of 0.1% by weight in homogenous materials for lead, hexavalent chromium, mercury, PBB, PBDE, DBP, BBP, DEHP, DIBP, and 0.01% for cadmium, or qualify for an exemption to these limits as defined in the Annexes of Directive 2011/65/EU (RoHS2). Finished electrical and electronic equipment products will be CE marked as required by Directive 2011/65/EU. Components may not be CE marked. Additionally, the part numbers that TE has identified as EU ELV compliant have a maximum concentration of 0.1% by weight in homogenous materials for lead, hexavalent chromium, and mercury, and 0.01% for cadmium, or qualify for an exemption to these limits as defined in the Annexes of Directive 2000/53/EC (ELV). Regarding the REACH Regulation, the information TE provides on SVHC in articles for this part number is based on the latest European Chemicals Agency (ECHA) 'Guidance on requirements for substances in articles' posted at this URL: <https://echa.europa.eu/guidance-documents/guidance-on-reach>

Compatible Parts

TE Part # 2-1618002-4 EV250-2A=RELAY, 12VDC SPST-NO	TE Part # 6-1618006-6 AP150XB57=RELAY, VACUUM, SPST-	TE Part # 2-1618013-6 PD350XB57=RELAY, PRESSURIZED,	TE Part # 2-1618002-3 EV250-1B=RELAY, SPST-NO




TE Part # 4-1618002-9
EV500-5B=RELAY, PRESSURIZED, S



TE Part # 2-1618002-6
EV250-2B=RELAY, 24VDC SPST-NO



TE Part # 1618002-1
EV200A1ANA=RELAY,UN-ECON
EV200



TE Part # 1618002-5
EV200AAACA=RELAY, EV200 SPST-N
EV200



TE Part # 2-1618002-2
EV250-1A=RELAY, SPST-NO



TE Part # 5-1618413-0
EV600HVANM = CONTACTOR, SPST-
NO 12V COIL



TE Part # 4-1618002-4
EV500-4A=RELAY, PRESSURIZED, S



TE Part # 4-1618002-5
EV500-4B=RELAY, PRESSURIZED, S



TE Part # 4-1618002-8
EV500-5A=RELAY, PRESSURIZED, S



TE Part # 1-1618013-4
PD150XB57=RELAY, VACUUM, SPST-



TE Part # 7-1618013-2
PD90XA57=RELAY, VACUUM, SPST-N



TE Part # 7-1618013-3
PD90XB57=RELAY, VACUUM, SPST-N



TE Part # 7-1618013-4
PD90XC57=RELAY, VACUUM, SPST-N



TE Part # 1-1618007-5
AP350XB57=RELAY, PRESSURIZED,



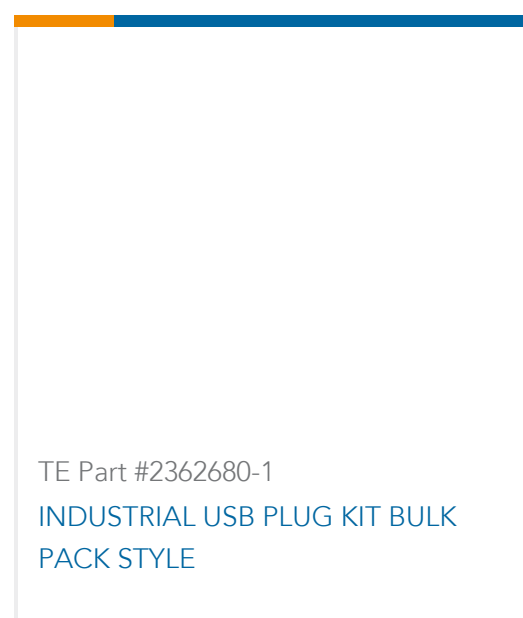
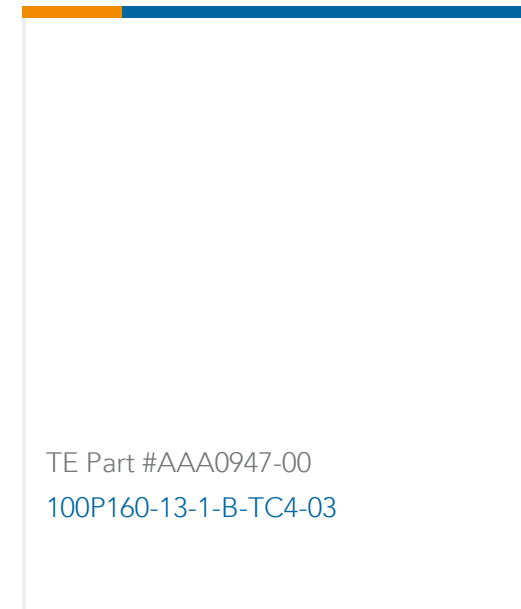
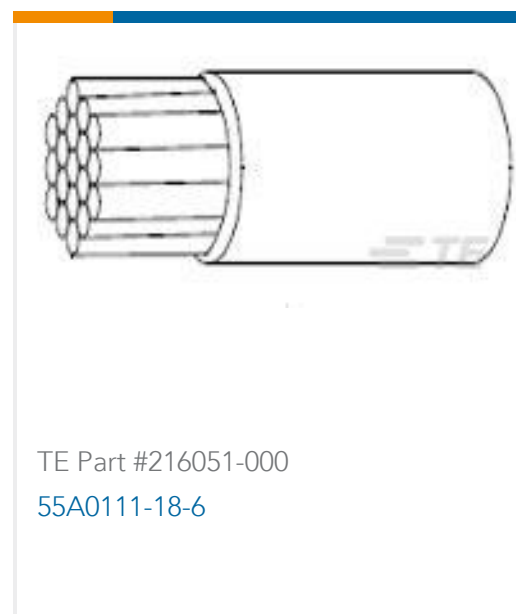
TE Part # 1-1618013-3
PD150XA57=RELAY, VACUUM, SPST-

Also in the Series | Kilovac EV200



Electromechanical Relays(18)

Customers Also Bought



Documents

CAD Files

3D PDF

3D

Customer View Model

[ENG_CVM_CVM_1618002-7_M.2d_dxf.zip](#)

English

Customer View Model

[ENG_CVM_CVM_1618002-7_M.3d_igs.zip](#)

English

Customer View Model

[ENG_CVM_CVM_1618002-7_M.3d_stp.zip](#)

English

By downloading the CAD file I accept and agree to the [Terms and Conditions](#) of use.

Datasheets & Catalog Pages

[5-1773450-5_sec7_EV200A](#)

English

[KILOVAC EV200 Series Contactor With 1 Form X Contacts](#)

English

EV200AAANA

High Voltage Contactor, DC, 1 Form X SPST-NO, 500 A Contact Rating, 9 – 36 VDC
Coil Voltage, Chassis, Kilovac EV200

