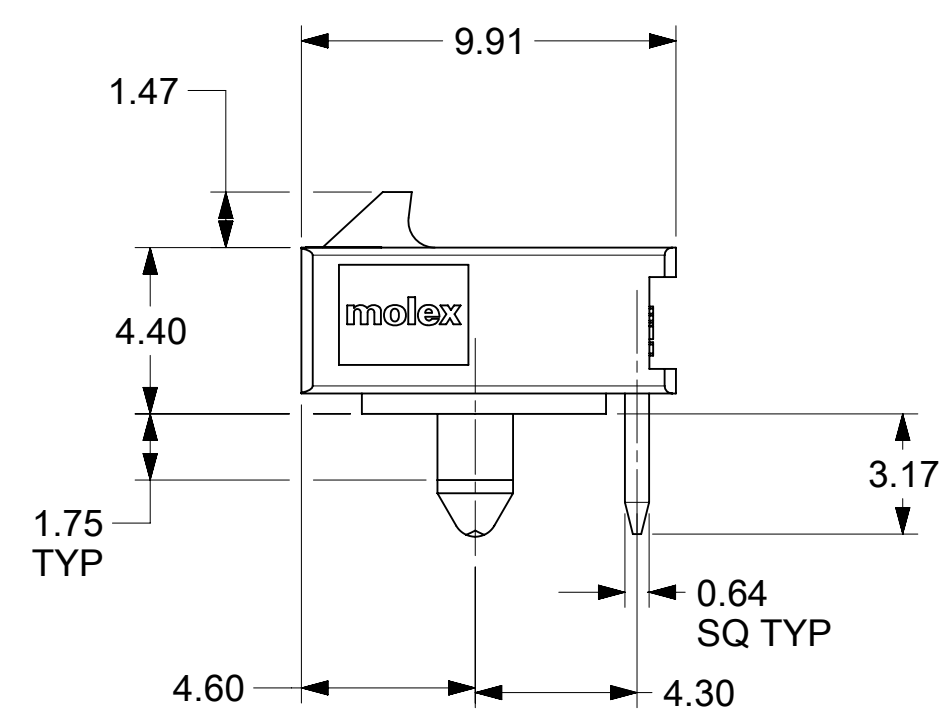
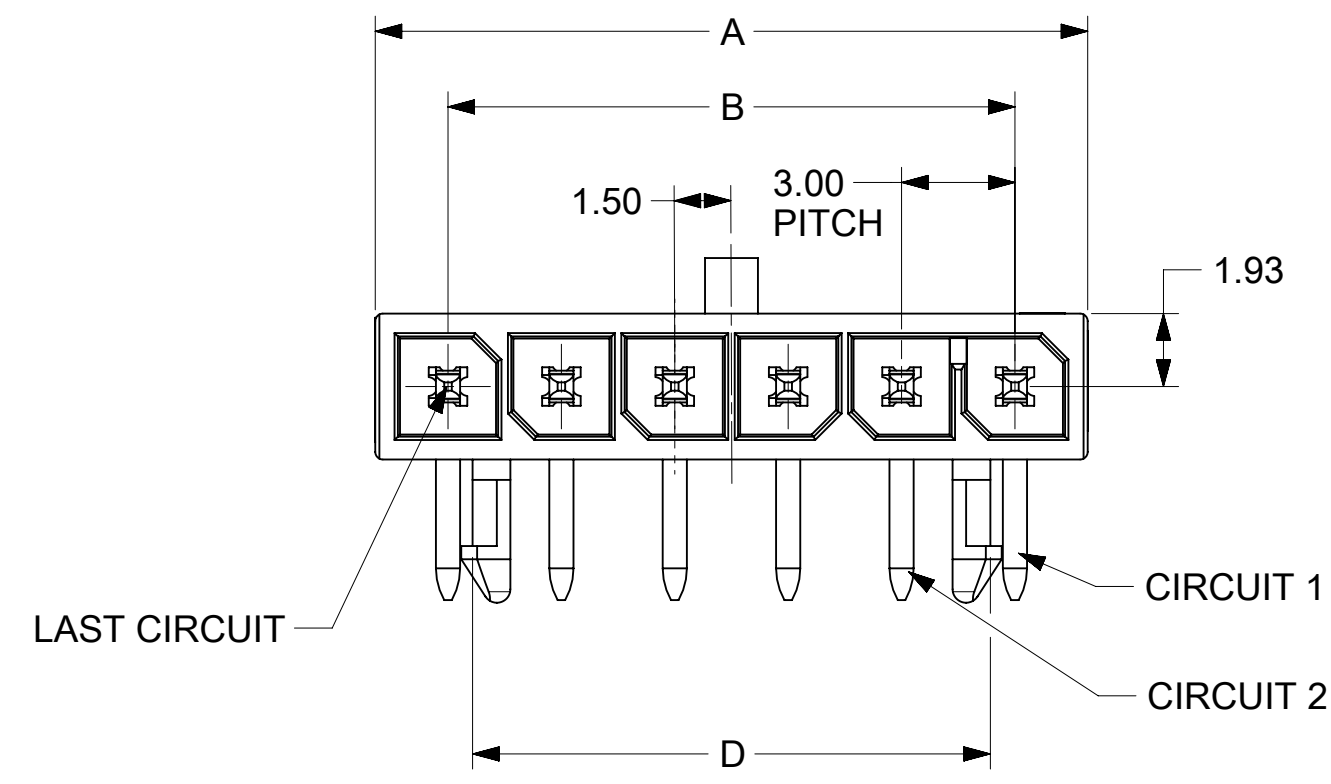
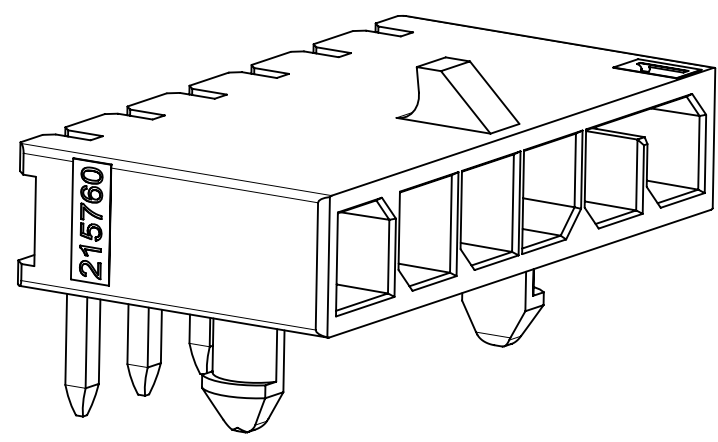
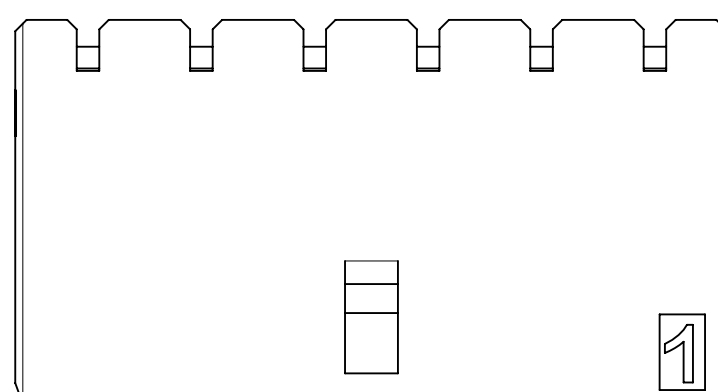


CIRCUIT	A	B	C	D
2	6.85	3.00	NA	2.95
3	9.85	6.00	NA	2.95
4	12.85	9.00	4.70	7.70
5	15.85	12.00	7.70	10.70
6	18.85	15.00	10.70	13.70
7	21.85	18.00	13.70	16.70
8	24.85	21.00	16.70	19.70



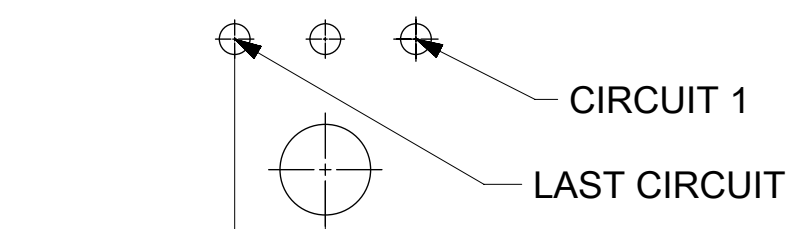
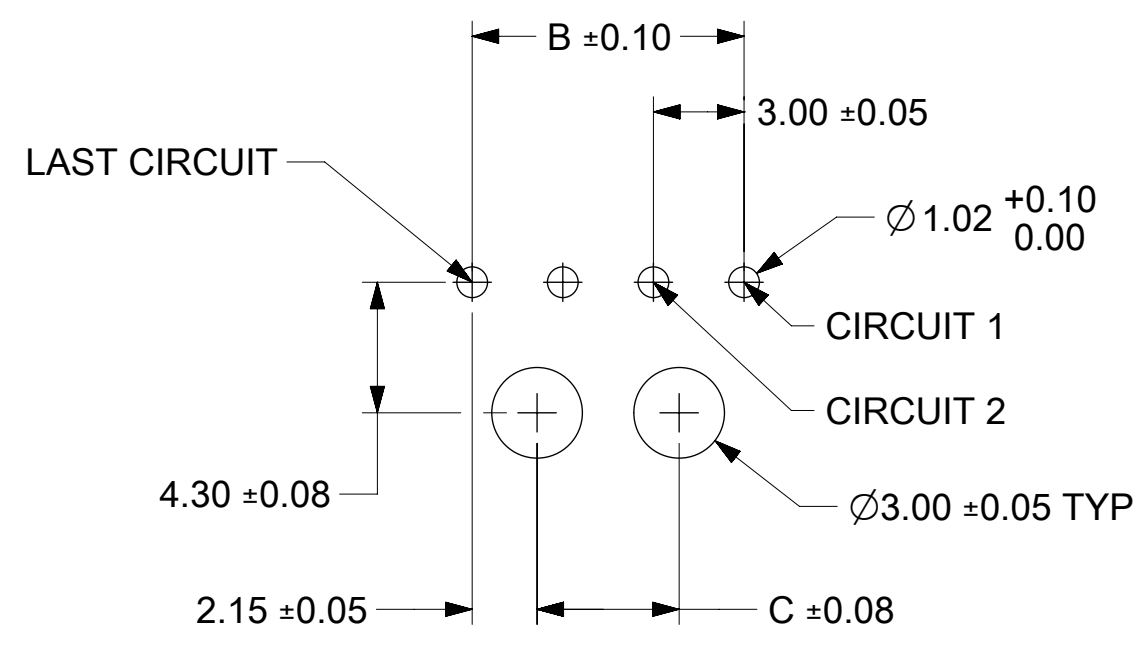
LEGEND

215760 - * * * *

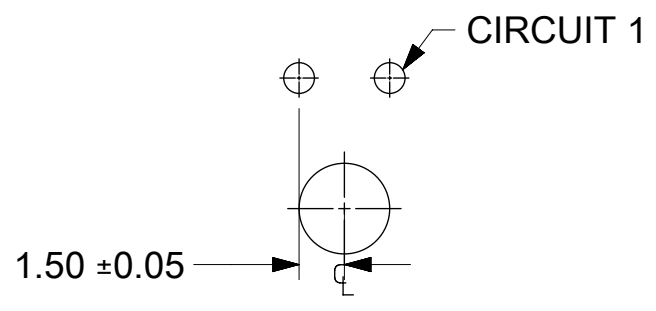
SERIES NO.	_____
PLATING OPTION	_____
1: TIN	_____
2: 15MICROINCH AU	_____
3: 30MICROINCH AU	_____
PEG OPTION	_____
0: WITH PEG	_____
1: WITHOUT PEG	_____
POLARISATION/COLOR	_____
0 - BLACK	_____
1 - NATURAL	_____
2 - RED	_____
3 - BLUE	_____
4 - YELLOW	_____
CKT NO.	_____

NOTES:

- HOSING MATERIAL: GLASS FILLED LIQUID CRYSTAL POLYMER, UL 94V-0, GLOW WIRE ,COLOR: SEE TABLE
- TERMINAL MATERIAL: HIGH COPPER ALLOY
- FINISH:
 - OPTION 1: REFLOW MATTE TIN OVER NICKEL
 - OPTION 2: SELECT 15MICROINCH GOLD AND SELECT MATTE TIN OVER NICKEL.
 - OPTION 3: SELECT 30MICROINCH GOLD AND SELECT MATTE TIN OVER NICKEL.
- PRODUCT SPECIFICATION : 2064600000-PS
- PRODUCT TEST SUMMARY: 2157590005-TS
- TRAY PACK : 2157600002-PK
- MATE WITH RECEPTACLE 215759
- THIS PART CONFORMS TO CLASS 'B' REQUIREMENTS OF COSMETIC SPECIFICATION PS-45499-002.



PCB LAYOUT: 3 CKT HEADER



PCB LAYOUT: 2 CKT HEADER

PCB LAYOUT: COMPONENT SIDE 4 TO 8 CKT
RECOMMEND PCB THICKNESS: 1.57mm

FUNCTIONAL SYMBOLS	THIS DRAWING CONTAINS INFORMATION THAT IS PROPRIETARY TO MOLEX ELECTRONIC TECHNOLOGIES, LLC AND SHOULD NOT BE USED WITHOUT WRITTEN PERMISSION		CURRENT REV DESC:		molex
	DIMENSION UNITS	SCALE			
$\frac{F}{A} = 0$	mm	NTS			MICRO-FIT PLUS RA HEADER ASSEMBLY
$\frac{F}{C} = 0$	GENERAL TOLERANCES (UNLESS SPECIFIED)				
$\frac{F}{P} = 0$	ANGULAR TOL ± °				PRODUCT CUSTOMER DRAWING
DIVISIONAL SYMBOLS	4 PLACES ±		EC NO: 784772		
	3 PLACES ±		DRWN: ZIXUAQ 2024/04/18		
	2 PLACES ± 0.25		CHK'D: XQZHANG 2024/05/08		
	1 PLACE ± 0.36		APPR: XQZHANG 2024/05/08		
	0 PLACES ±		INITIAL REVISION:		
	DRAFT WHERE APPLICABLE MUST REMAIN WITHIN DIMENSIONS		DRWN: HPAN18 2020/10/15		DOCUMENT NUMBER
	THIRD ANGLE PROJECTION		APPR: YXZHENG 2021/02/08		2157600003-SD
	DRAWING		SERIES		DOC TYPE
	C-SIZE		215760		PSD
	MATERIAL NUMBER		CUSTOMER		DOC PART
	SEE NOTES		GENERAL MARKET		000
	SHEET NUMBER		1 OF 3		REVISION
					A4

TIN PLATING			
CIRCUIT	PART NUMBER	POLARIZATION	COLOR
2	2157601002	A	BLACK
	2157601012	B	NATURAL
	2157601022	C	RED
	2157601032	D	BLUE
	2157601042	E	YELLOW
3	2157601003	A	BLACK
	2157601013	B	NATURAL
	2157601023	C	RED
	2157601033	D	BLUE
	2157601043	E	YELLOW
4	2157601004	A	BLACK
	2157601014	B	NATURAL
	2157601024	C	RED
	2157601034	D	BLUE
	2157601044	E	YELLOW
5	2157601005	A	BLACK
	2157601015	B	NATURAL
	2157601025	C	RED
	2157601035	D	BLUE
	2157601045	E	YELLOW
6	2157601006	A	BLACK
	2157601016	B	NATURAL
	2157601026	C	RED
	2157601036	D	BLUE
	2157601046	E	YELLOW
7	215760-1007	A	BLACK
	2157601017	B	NATURAL
	2157601027	C	RED
	2157601037	D	BLUE
	2157601047	E	YELLOW
8	215760-1008	A	BLACK
	2157601018	B	NATURAL
	2157601028	C	RED
	2157601038	D	BLUE
	2157601048	E	YELLOW

15 MICROINCH GOLD			
CIRCUIT	PART NUMBER	POLARIZATION	COLOR
2	2157602002	A	BLACK
	2157602012	B	NATURAL
	2157602022	C	RED
	2157602032	D	BLUE
	2157602042	E	YELLOW
3	2157602003	A	BLACK
	2157602013	B	NATURAL
	2157602023	C	RED
	2157602033	D	BLUE
	2157602043	E	YELLOW
4	2157602004	A	BLACK
	2157602014	B	NATURAL
	2157602024	C	RED
	2157602034	D	BLUE
	2157602044	E	YELLOW
5	2157602005	A	BLACK
	2157602015	B	NATURAL
	2157602025	C	RED
	2157602035	D	BLUE
	2157602045	E	YELLOW
6	2157602006	A	BLACK
	2157602016	B	NATURAL
	2157602026	C	RED
	2157602036	D	BLUE
	2157602046	E	YELLOW
7	215760-2007	A	BLACK
	2157602017	B	NATURAL
	2157602027	C	RED
	2157602037	D	BLUE
	2157602047	E	YELLOW
8	215760-2008	A	BLACK
	2157602018	B	NATURAL
	2157602028	C	RED
	2157602038	D	BLUE
	2157602048	E	YELLOW

30 MICROINCH GOLD			
CIRCUIT	PART NUMBER	POLARIZATION	COLOR
2	2157603002	A	BLACK
	2157603012	B	NATURAL
	2157603022	C	RED
	2157603032	D	BLUE
	2157603042	E	YELLOW
3	2157603003	A	BLACK
	2157603013	B	NATURAL
	2157603023	C	RED
	2157603033	D	BLUE
	2157603043	E	YELLOW
4	2157603004	A	BLACK
	2157603014	B	NATURAL
	2157603024	C	RED
	2157603034	D	BLUE
	2157603044	E	YELLOW
5	2157603005	A	BLACK
	2157603015	B	NATURAL
	2157603025	C	RED
	2157603035	D	BLUE
	2157603045	E	YELLOW
6	2157603006	A	BLACK
	2157603016	B	NATURAL
	2157603026	C	RED
	2157603036	D	BLUE
	2157603046	E	YELLOW
7	2157603007	A	BLACK
	2157603017	B	NATURAL
	2157603027	C	RED
	2157603037	D	BLUE
	2157603047	E	YELLOW
8	2157603008	A	BLACK
	2157603018	B	NATURAL
	2157603028	C	RED
	2157603038	D	BLUE
	2157603048	E	YELLOW

FUNCTIONAL SYMBOLS = 0 = 0 = 0 DIVISIONAL SYMBOLS = 0.25 = 0.36 = 0	THIS DRAWING CONTAINS INFORMATION THAT IS PROPRIETARY TO MOLEX ELECTRONIC TECHNOLOGIES, LLC AND SHOULD NOT BE USED WITHOUT WRITTEN PERMISSION		
	DIMENSION UNITS: mm SCALE: NTS	CURRENT REV DESC:	
	GENERAL TOLERANCES (UNLESS SPECIFIED) ANGULAR TOL ± °	EC NO: 784772 DRWN: ZIXUAQ 2024/04/18 CHK'D: XQZHANG 2024/05/08 APPR: XQZHANG 2024/05/08	
	4 PLACES ± 3 PLACES ± 2 PLACES ± 0.25 1 PLACE ± 0.36 0 PLACES ±	INITIAL REVISION: DRWN: HPAN18 2020/10/15 APPR: YXZHENG 2021/02/08	
	DRAFT WHERE APPLICABLE MUST REMAIN WITHIN DIMENSIONS	THIRD ANGLE PROJECTION 	DRAWING SERIES: C-SIZE 215760

MICRO-FIT PLUS RA HEADER ASSEMBLY

PRODUCT CUSTOMER DRAWING

DOCUMENT NUMBER	DOC TYPE	DOC PART	REVISION
2157600003-SD	PSD	000	A4

MATERIAL NUMBER	CUSTOMER	SHEET NUMBER
SEE NOTE	GENERAL MARKET	2 OF 3

	12	11	10	9	8	7	6	5	4	3	2	1
CKT	POLARIZATION "A"- BLACK		POLARIZATION "B"- NATURAL		POLARIZATION "C" - RED		POLARIZATION "D" - BLUE		POLARIZATION "E" - YELLOW			
H	2											
G	3											
F	4											
E	5											
D	6											
C	7											
B	8											

THIS DRAWING CONTAINS INFORMATION THAT IS PROPRIETARY TO MOLEX ELECTRONIC TECHNOLOGIES, LLC AND SHOULD NOT BE USED WITHOUT WRITTEN PERMISSION											
FUNCTIONAL SYMBOLS		DIMENSION UNITS		SCALE		CURRENT REV DESC:					
$\nabla_A = 0$		mm		NTS		EC NO: 784772 DRWN: ZIXUAQ 2024/04/18 CHK'D: XQZHANG 2024/05/08 APPR: XQZHANG 2024/05/08 INITIAL REVISION: DRWN: HPAN18 2020/10/15 APPR: YXZHENG 2021/02/08					
$\nabla_E = 0$		GENERAL TOLERANCES (UNLESS SPECIFIED)									
$\nabla_P = 0$		ANGULAR TOL \pm °									
DIVISIONAL SYMBOLS		4 PLACES \pm		3 PLACES \pm		MICRO-FIT PLUS RA HEADER ASSEMBLY PRODUCT CUSTOMER DRAWING DOCUMENT NUMBER: 2157600003-SD DOC TYPE: PSD DOC PART: 000 REVISION: A4 MATERIAL NUMBER: CUSTOMER: GENERAL MARKET SHEET NUMBER: 3 OF 3					
		2 PLACES \pm 0.25		1 PLACE \pm 0.36							
		0 PLACES \pm		DRAFT WHERE APPLICABLE MUST REMAIN WITHIN DIMENSIONS							
		THIRD ANGLE PROJECTION		DRAWING		SERIES					
				C-SIZE		215760					