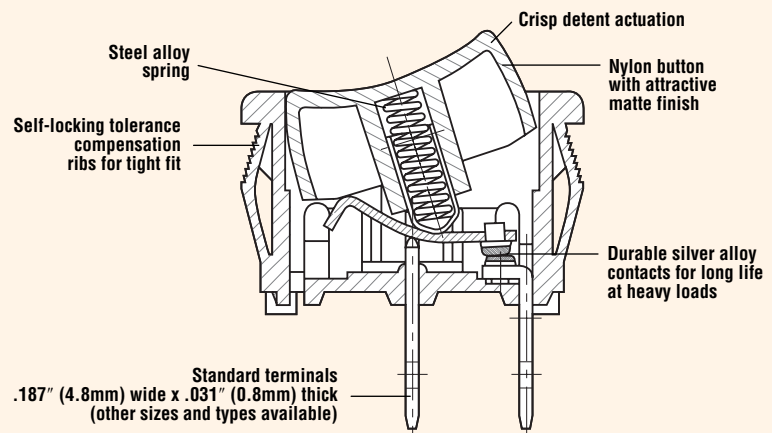


MINIATURE ROUND ROCKER SWITCH

SR Series

Features

- 20 amp switching in a compact design
- Available in a variety of colors
- Self-locking tabs and anti-rotation pin for snug fit
- Mechanical life: min. 50,000 operations



Electrical Ratings

Switch Series	EN61058 Rating	UL1054 Rating	Electrical Life at Rated Load	
			According to VDE (Min. Operations)	According to UL (Min. Operations)
SR	N/A	20A, 125VAC; 12A, 250VAC	N/A	6,000

Specifications

Electrical

Dielectric Strength:	1000VAC for 1 minute
Insulation Resistance:	10 ⁹ ohms min at 500VDC
Initial Contact Resistance:	0.020 ohms max
Temperature Range:	-20°C to +65°C

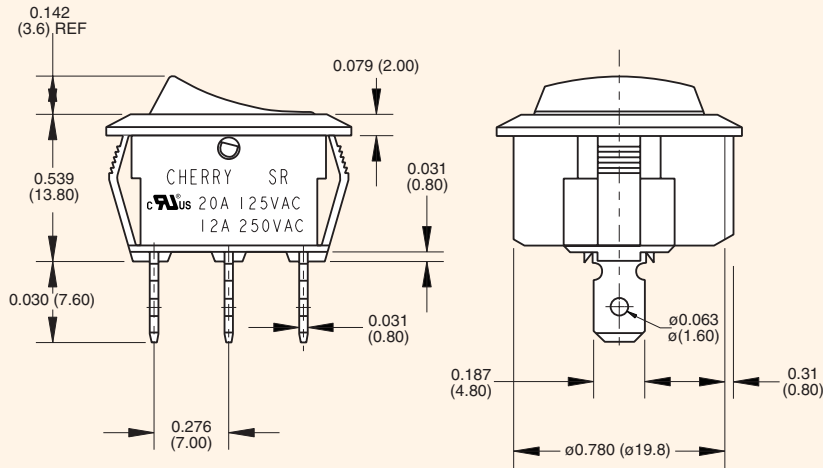
Materials

Actuator (non-lighted):	Nylon 66 94V-2
Base:	Nylon 66 94V-2
Contacts:	Silver Alloy
Movable Arm:	Silver-Plated Copper Alloy
Terminals:	Tin-Plated Copper Alloy

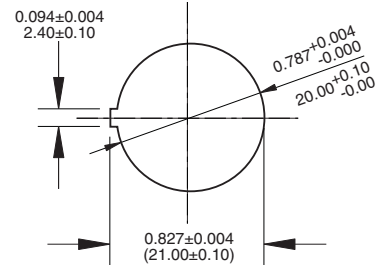




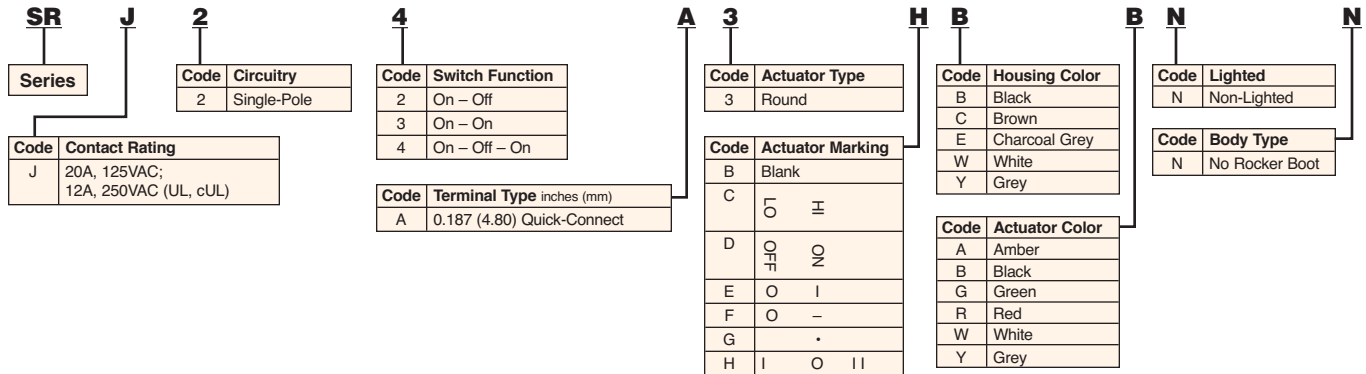
Dimensions inches (mm)



Panel Cut-Out Dimensions for Panel Thickness inches (mm) 0.039 to 0.078 (1.0 to 2.0)



Ordering Information



Examples of Common Part Numbers and Descriptions inches (mm)

Part Number	Circuitry	Switch Function	Terminal Type	Actuator/Housing Color	Legend Marking
SRJ22A3BBBNN		On - Off	0.187 (4.80) Quick-Connect	Black/Black	
SRJ23A3BBBNN		On - On	0.187 (4.80) Quick-Connect	Black/Black	
SRJ24A3BBBNN		On - Off - On	0.187 (4.80) Quick-Connect	Black/Black	
SRJ22A3WWNN		On - Off	0.187 (4.80) Quick-Connect	White/White	
SRJ22A3FBBNN		On - Off	0.187 (4.80) Quick-Connect	Black/Black	

Contact

Call, fax or visit our website for more information.

Cherry Electrical Products

11200 88th Avenue
Pleasant Prairie, WI 53158

Phone: 800 927 6298

Fax: 262 942 6566

Web: www.cherrycorp.com