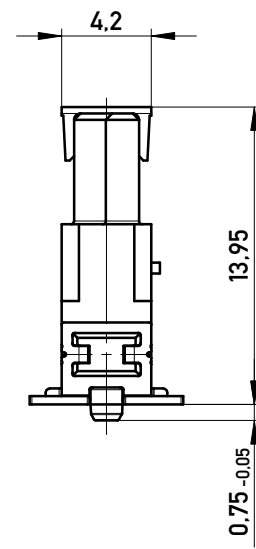
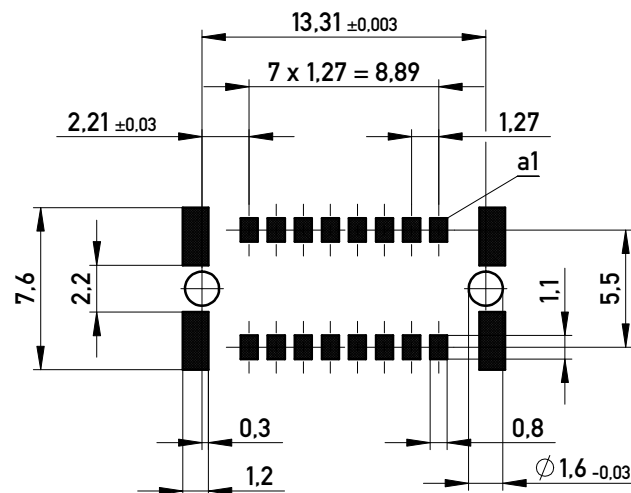
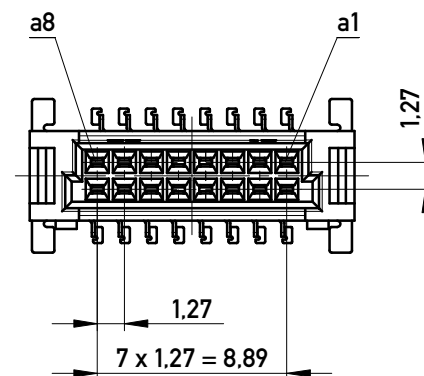


Leiterplatten-Layout Vorschlag für SMT
PCB-Layout Proposal for SMT



ohne Ansaughaube - *without hood*



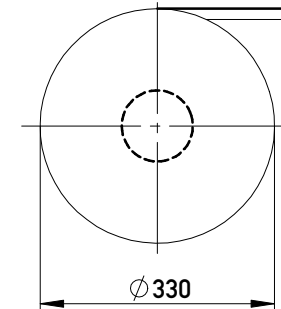
Anforderungsstufe 1
Performance Level 1

Kontaktbereich vergoldet
Mating Area gold plating

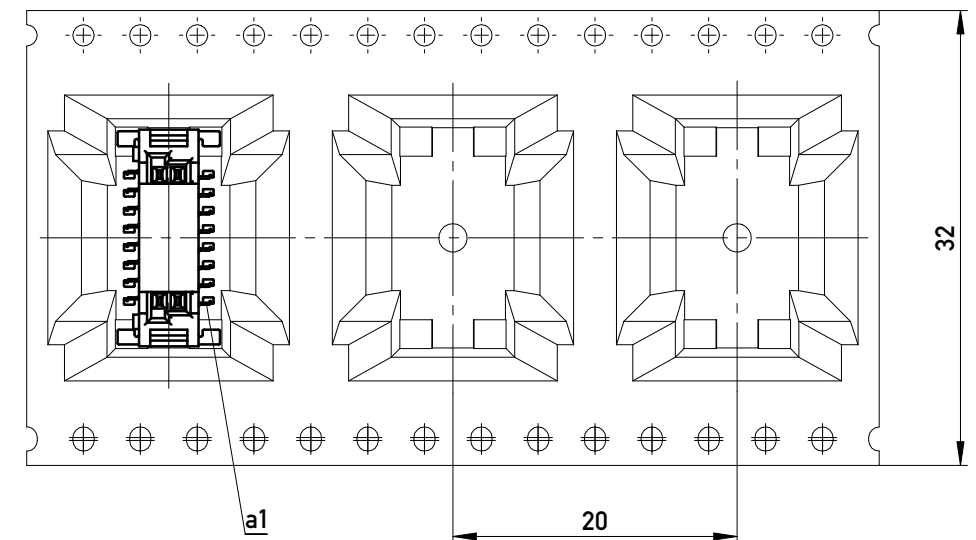
Anschlussbereich verzinnt 4-6 µm
Terminal Area 4-6 µm tin plating

Koplanarität der Anschlüsse ≤ 0,1 mm
Coplanarity Area of Termination ≤ 0,1 mm

Verpackt im Gurt nach DIN IEC 60286-3
Tape on Reel Packaging according to DIN IEC 60286-3
Verpackungseinheit: 170 Stück
Packaging unit: 170 pcs



Abspulrichtung - Reel off Direction



BA 7-23 - hohe Bauhöhe
type 7-23 - high profile

Information: All rights reserved. Only for Information. To ensure that this is the latest version of this drawing, please contact one of the ERNI companies before using.	Tolerances All Dimensions in mm	Scale	3:1
		Designation	Federl. SMC-B 16-SMD-BA7-23 <i>Female SMC-B 16-SMT-type7-23</i>
b Index	25.11.2013 Date	www.ERNI.com	
		354070	
Class		SMCB	

Copyright by ERNI GmbH
Proprietary notice pursuant to ISO 16016 to be observed.

i
A3

Mouser Electronics

Authorized Distributor

Click to View Pricing, Inventory, Delivery & Lifecycle Information:

[ERNI Electronics:](#)

[354070](#)