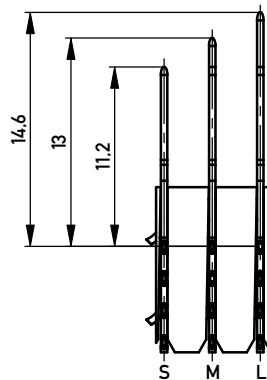


**Kontaktübersicht:  
contacts overview**

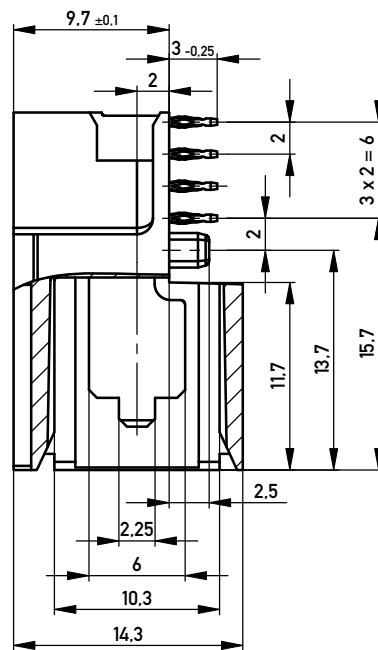
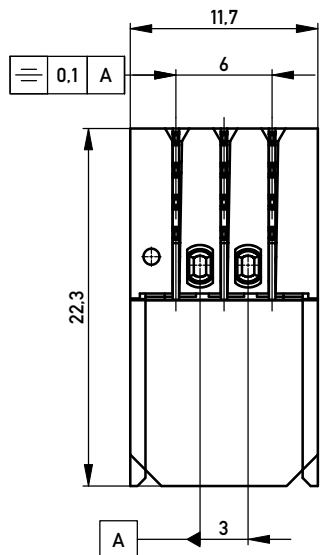
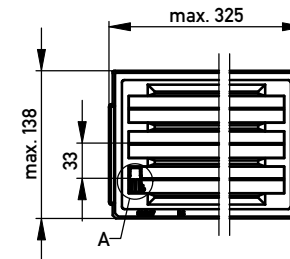
L = lang / long  
M = mittel / middle  
S = kurz / short



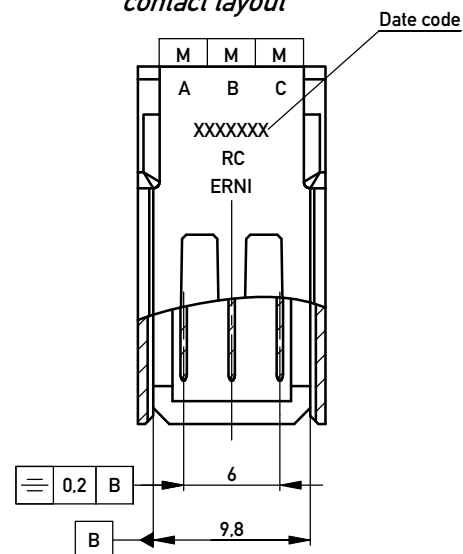
M 1.5

verpackt in Tray  
VPE: 72 St.

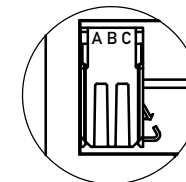
tray packaging  
packaging unit 72 pcs.



**Bestückungsplan /  
contact layout**



DETAIL A  
MAßSTAB 1 : 1

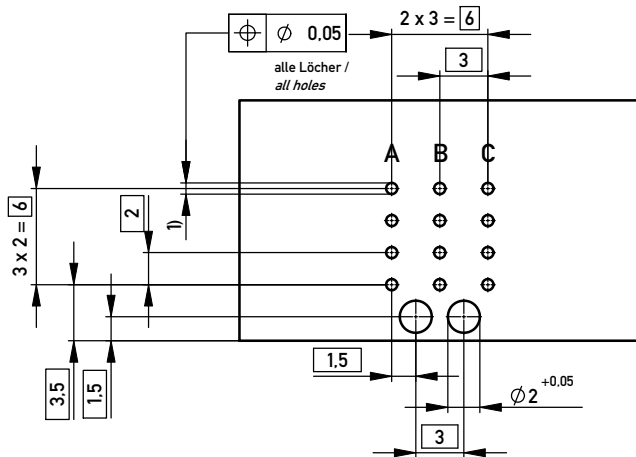


Gehäuse / housing: PBTP grau 30% GF / PBTP grey 30% GF  
Kontakte / contacts: Phosphor Bronze / phosphor bronze

Oberflächenbeschichtung / plating:  
Kontaktbereich / mating area: 0.65µm PdNi, 0.1µm Au  
Anschlussbereich / termination: 1.5-3µm Ni, 0.5-2µm Sn matt

Anforderungsstufe 2 / class 2

**Lochbild für Leiterplatte /  
Board hole pattern**



1)  $\varnothing 0,6 \pm 0,05$  Durchmesser des metallisierten Loches  
 $\varnothing 0,6 \pm 0,05$  Diameter of finished plated-through hole

Schichtaufbau im metallisierten Loch siehe  
Zeichnung 114406 / 164062 Nr.1  
Metal plating of plated-through hole see  
drawing 114406 / 164062 No.1

Copyright by ERNI GmbH.  
Proprietary notice pursuant to ISO 16016 to be observed.

Information:		Tolerances		Scale	3:1
All rights reserved. Only for Information. To ensure that this is the latest version of this drawing, please contact one of the ERNI companies before using.		Subject to modification without prior notice. Drawing will not be updated.		Designation	
		www.ERNI.com		ERmet Messerleiste PM 14,3 ERmet Male PM 14,3	
f	22.11.2010	ERNI		923619	I
Index	Date	www.ERNI.com		Class	ERMPM
				A3	

# Mouser Electronics

Authorized Distributor

Click to View Pricing, Inventory, Delivery & Lifecycle Information:

[ERNI Electronics:](#)

[923619](#)