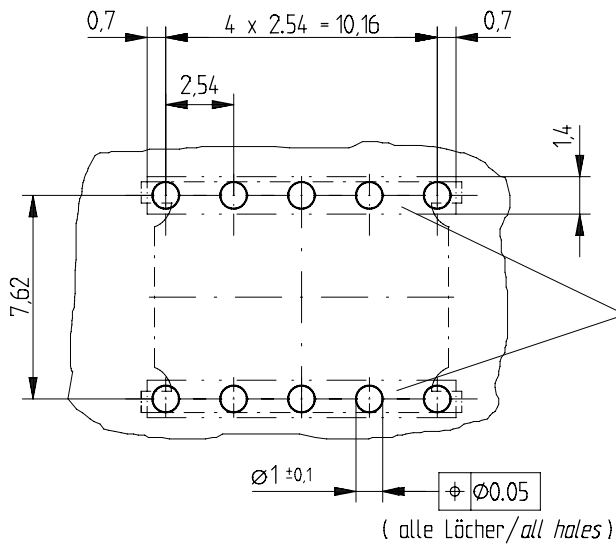


Leiterplattenbohrbild
PCB drillhole pattern



| | |
|-----------------------|-------------------|
| 214786 | M4 |
| 214785 | M3 |
| 214784 | 6-32UNC |
| 214783 | 8-32UNC |
| Ident-Nr. Part No. | Gewinde thread |

| | | |
|--|---|--|
| Information: | Tolerances | Scale 5:1 |
| | All Dimensions in mm | |
| All rights reserved. Only for information. To insure that this is the latest version of this drawing, please contact one of the ERNI companies before using. | Subject to modification without prior notice. Drawing will not be updated. | Designation SVA 10-polig TL Power Bug 10pin TL |
| | www.ERNI.com | 204819 |
| b Index | 11.05.2006 Date | H-00057490.SZA EPSVA |

Mouser Electronics

Authorized Distributor

Click to View Pricing, Inventory, Delivery & Lifecycle Information:

[ERNI Electronics:](#)

[214786](#)