

Specifications:

规格:

Voltage rating:125V AC/DC

额定电压: 125V AC/DC

Current rating:3A AC/DC

额定电流: 3A AC/DC

Withstanding voltage:500V

AC/minute

耐受电压: 500V AC/分钟

Temperature range:-40℃-+105℃

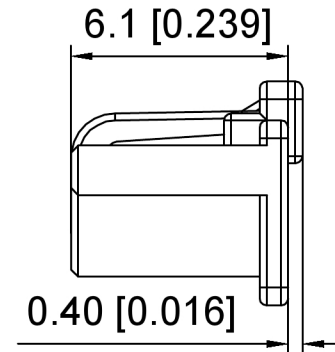
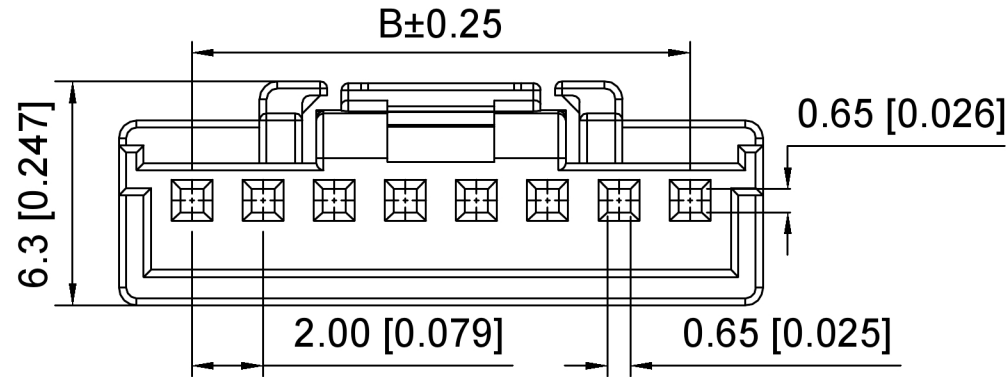
温度范围: -40℃-+105℃

Insulation resistance:1000MΩ min

绝缘电阻: 1000MΩ Min

Contact resistance:10mΩ Max

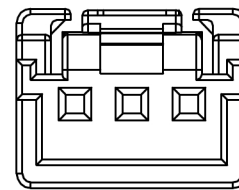
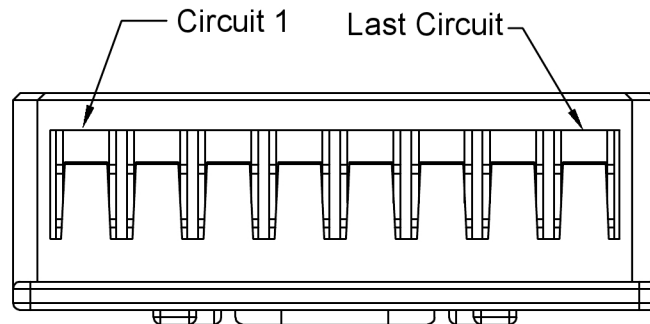
接触电阻: 10mΩ Max



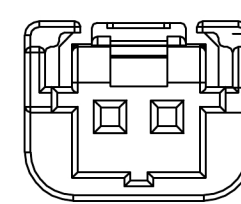
05P~15P Shape
Scale 1:1

X2009 H - XX - PT
① ② ③ ④

- 1.Series No
- 2.Category:H-HSG
- 3.Row No.Pin No:XX-02~15P
- 4.Material:PT-PBT UL94V-0 Natural



03P~04P Shape
Scale 0.8:1



2P Shape
Scale 0.8:1

Poles	Dimensions(mm)		Poles	Dimensions(mm)	
	A	B		A	B
02	8.00	2.00	09	20.10	16.00
03	8.10	4.00	10	22.10	18.00
04	10.10	6.00	11	24.10	20.00
05	12.10	8.00	12	26.10	22.00
06	14.10	10	13	28.10	24.00
07	16.10	12.00	14	20.10	26.00
08	18.10	14.00	15	32.10	28.00

X2009H-XX-PT	LCP	X2009W	X2009T
PART NO	Material	Suitable XKB Wafer	Suitable XKB Terminal

DSND		SCALE: N/A	MODEL TYPE: 2.0mm Crimp Style Connector
DWN		VIEW:	PART NO.: X2009H-XX-PT
CHKD		UNIT: mm/in	DWG NO.: X-X2007H-XX-PT
APPD		SIZE: A4	WEIGHT SHEET REVISION

XKLB

XKB INDUSTRIAL PRECISION CO.,LIMITED

1/1 A0

广东星坤科技股份有限公司

文件工程章

MARK	DESCRIPTION	DATE	REVISED	APPROVED	UNSPECIFIED TOLERANCES
Δx					ANGULAR ±5°
Δx					L ≤ 4 ±0.2
Δx					4 < L ≤ 16 ±0.3
					16 < L ≤ 63 ±0.4
					L > 63 ±0.5