

Hexagonal crimping dies

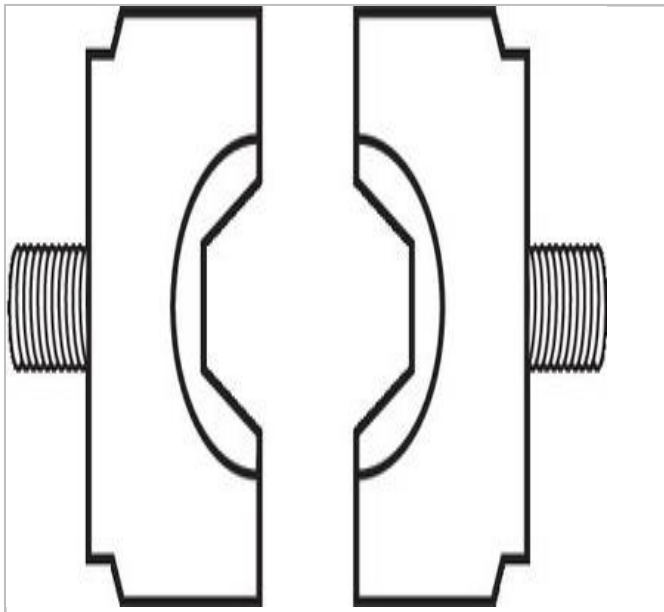



Standards:

NFC 20-130

Description:

- For crimping pliers 985913.
- For tubular terminals and sleeves.



	Weight [g]
985914	64.0
985915	88.0
985916	91.0
985917	89.0
985918	85.0
985919	79.0
985920	78.0
985921	76.0
985922	61.0
985923	66.0