

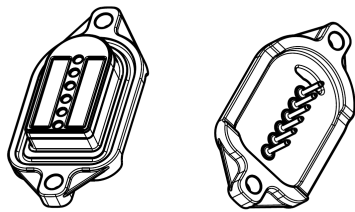
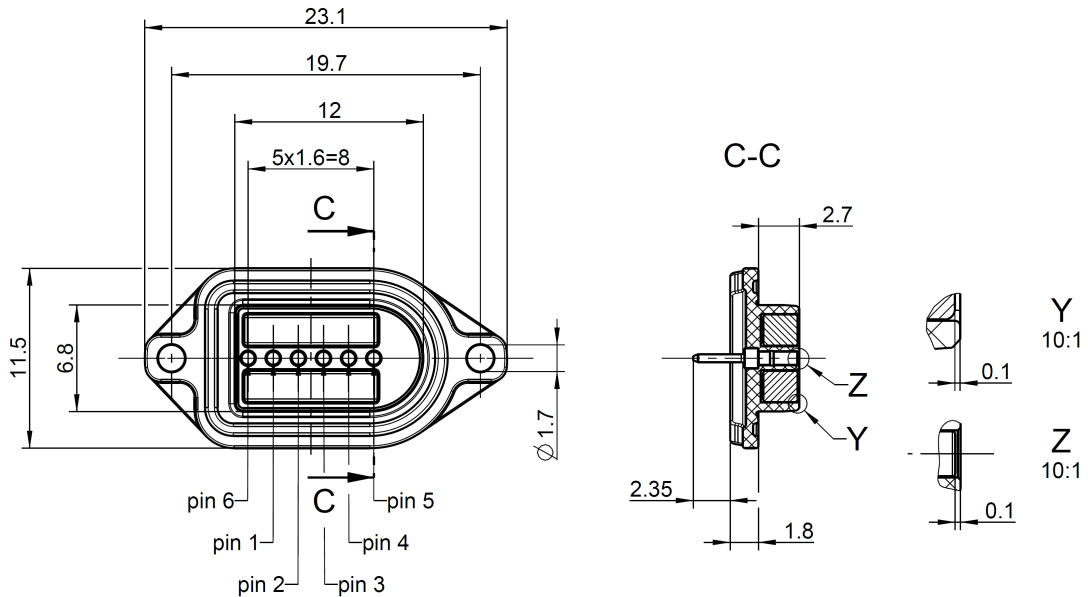
# Technical Data Sheet

# Rosenberger

M9

MultiMag 6 Receptacle  
(PCB Termination)

M9K702-400L



recommended pin design	
interface	description
pin 6	---
pin 1	+5V
pin 2	Data-
pin 3	Data+
pin 4	GND
pin 5	---

All dimensions are in mm; tolerances according to ISO 2768 m-H

## General Information

Magnetic connector  
 Number and type of contacts 6 rigid pins  
 Soldering THT  
 Color White, similar RAL 9010

## Interface

Mating with MultiMag 6 cable assembly

## Material and Plating

### Connector Parts

Contacts  
 Housing  
 Magnets

### Material

Brass  
 PBT GF30  
 NdFeB

### Plating/Color

Gold plated  
 White, similar RAL 9010  
 Nickel plated

Dieses Dokument ist urheberrechtlich geschützt • This document is protected by copyright • Rosenberger Hochfrequenztechnik GmbH & Co. KG

RF\_35/05:10/6.0

**Electrical Data**

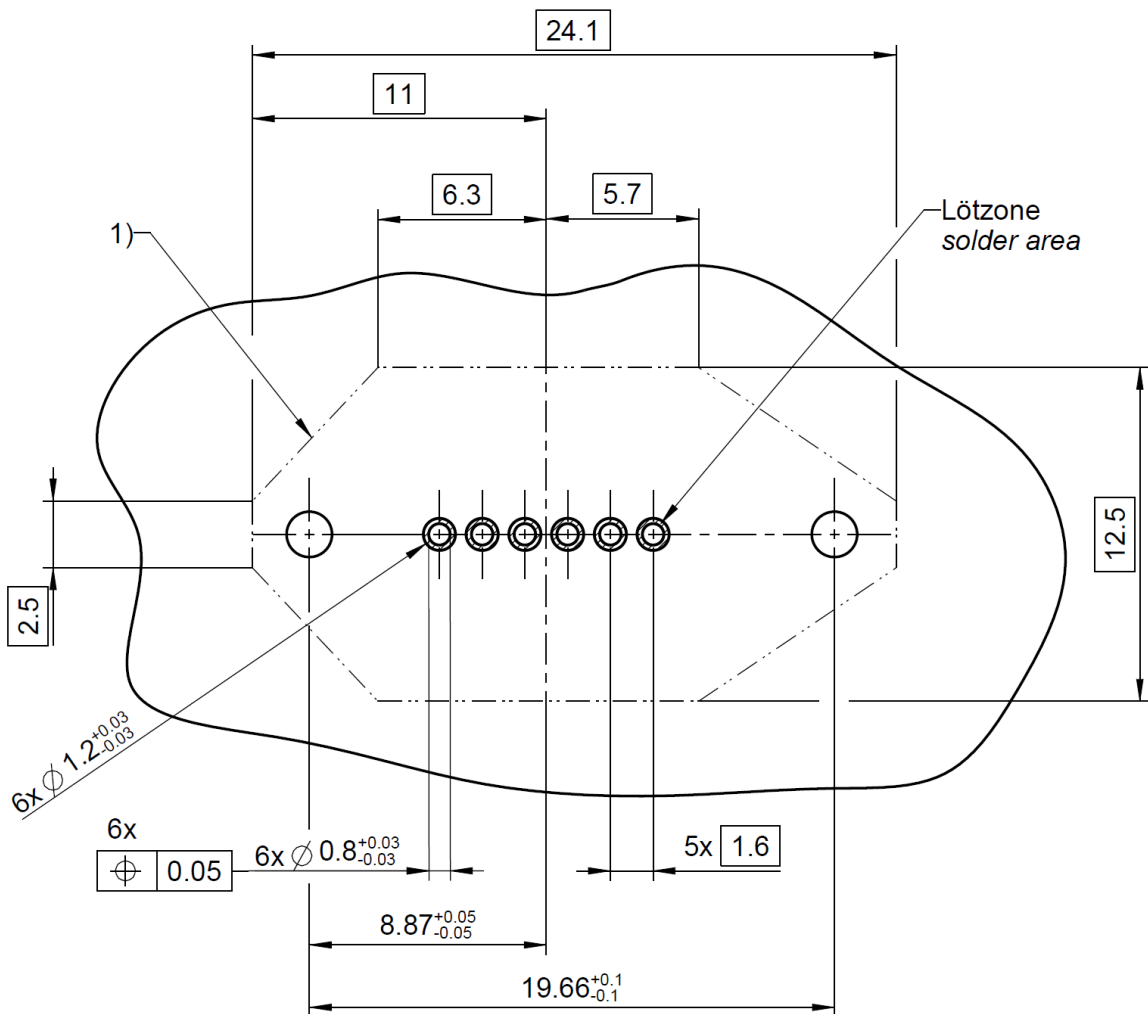
Electrical data acc. to USB 2.0 specification

Maximum voltage 5 V  
Maximum current 0.5 A

**Mechanical Data**

Mating cycles min. 5.000  
Magnetic disengagement force average ~ 8 N

**PCB Footprint**



- 1) Keine Bauteile innerhalb dieser Zone erlaubt / *no components allowed within this zone*
- 2) Die dargestellten Maße sind nur eine Empfehlung / *the stated dimensions are only recommendations.*
- 3) Alle Bohrungen sowie die Pads auf der Rückseite beschichtet / *all drill holes plated inclusive pads on the backside*

Dieses Dokument ist urheberrechtlich geschützt • This document is protected by copyright • Rosenberger Hochfrequenztechnik GmbH & Co. KG

RF\_35/05:10/6.0

# Technical Data Sheet

# Rosenberger

M9

MultiMag 6 Receptacle  
(PCB Termination)

**M9K702-400L**

### Environmental Data

Temperature range

-20 °C to +65 °C

Magnets start losing their magnetic properties above 65 °C

### Compliance

RoHS

compliant

### Packing

Standard

100 pcs in blister

Weight

~ 1.1 g/pc

### Caution!

**Magnets can impact the function of pace makers and implantable cardioverter-defibrillators (e.g. actuation of reed switch). Keep a minimum distance of 0.2 m (20 cm) between the magnetic connector and the implanted devices to prevent malfunction and danger to health.**

While the information has been carefully compiled to the best of our knowledge, nothing is intended as representation or warranty on our part and no statement herein shall be construed as recommendation to infringe existing patents. In the effort to improve our products, we reserve the right to make changes judged to be necessary.

Draft	Date	Approved	Date	Rev.	Engineering change number	Name	Date
T. Scheuerlein	22.07.16	T. Scheuerlein	19.04.17	a00	17-s123	M. Schönsmaul	19.07.17
Rosenberger Hochfrequenztechnik GmbH & Co. KG P.O.Box 1260 D-84526 Tittmoning Germany <a href="http://www.rosenberger.de">www.rosenberger.de</a>				Tel. : +49 8684 18-0 Fax : +49 8684 18-499 Email : <a href="mailto:info@rosenberger.de">info@rosenberger.de</a>			Page 3 / 3