

Wire Wound Type Common Mode Filter

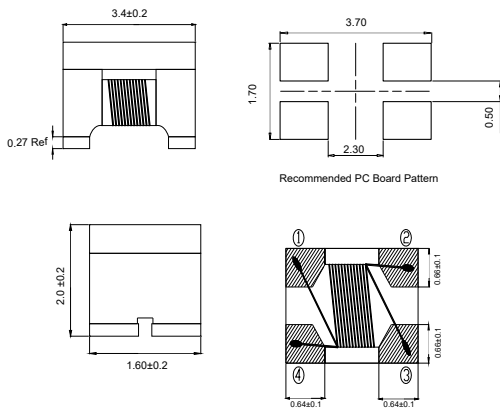


- 1.High common mode impedance at high frequency Effects excellent noise suppression performance
- 2.100% Lead(Pb) & Halogen-Free and RoHS compliant.
- 3.Operating temperature-40~+125 °C (Including self - temperature rise)
- 4.FOR LAN Module application

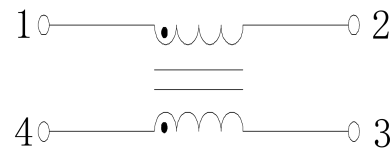
Electrical Specifications @25°C

Part Number	Inductance (DC bias 0.1mA) (uH Min)	Capacitance (pF Max)	DCR (Ω Max)	Insertion Loss 1~125MHz (dB Max)	Return Loss 1~125MHz (dB Min)	Rated Current mA Max	Rated Volt (Vdc)	Withstand Volt. (Vdc) Max.	IR(Ω) Min. (M)
DM3416A550L F	55	8	1.3	-1.0 typ. -1.2 Min..	-15 typ. -20 Max.	200	50	125	10

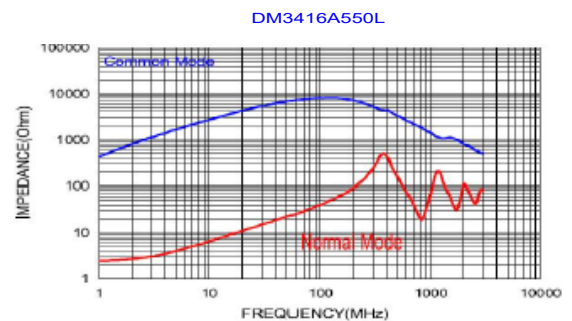
MECHANICAL



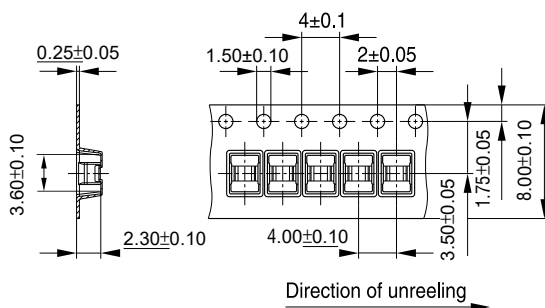
SCHEMATICS



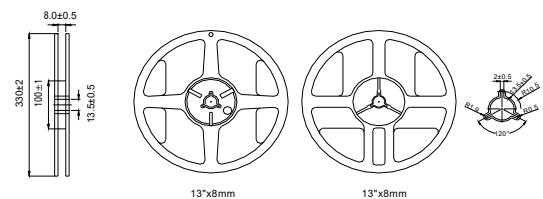
IMPEDEANCE FREQUENCY



TAPING AND PACKING



Reel



Quantity (pcs):
10000 PCS PER REEL
10 REELS PER CARTON
100000PCS PER CARTON

Dimensions in mm