

PRODUCT NUMBER

SEE TABLE
ON THIS SHEET

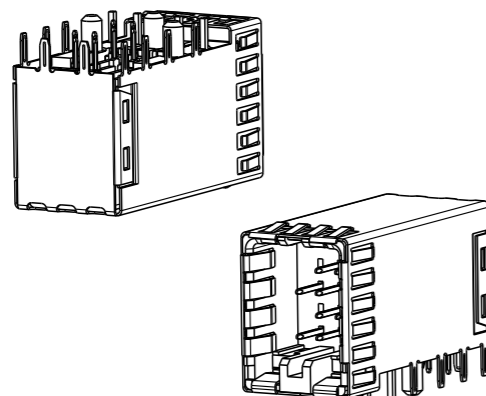
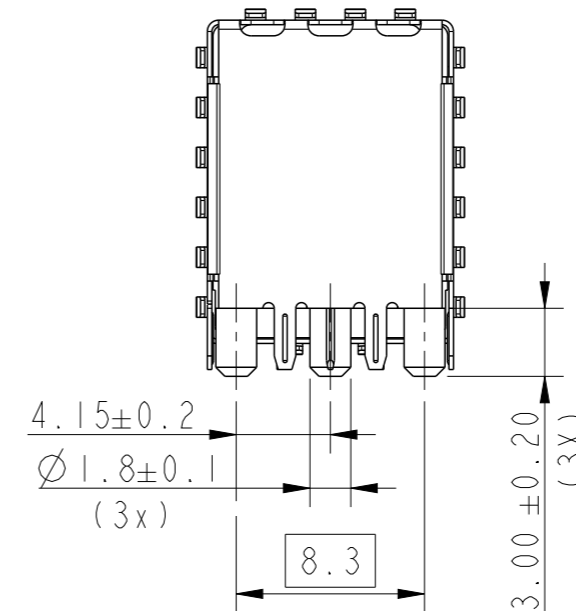
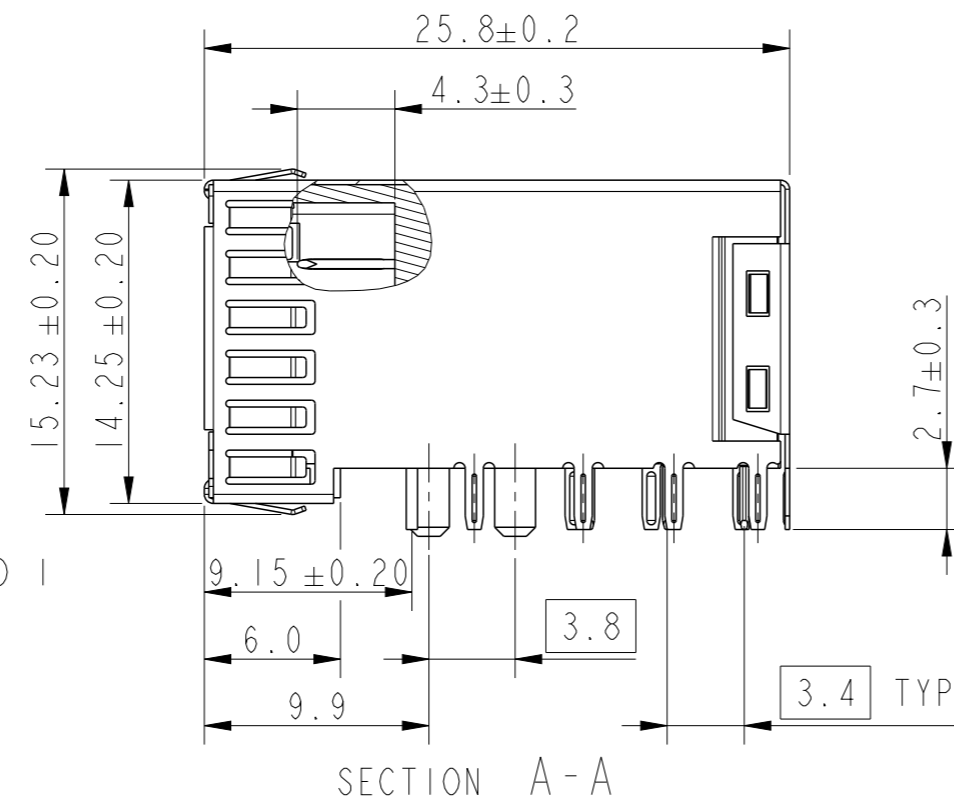
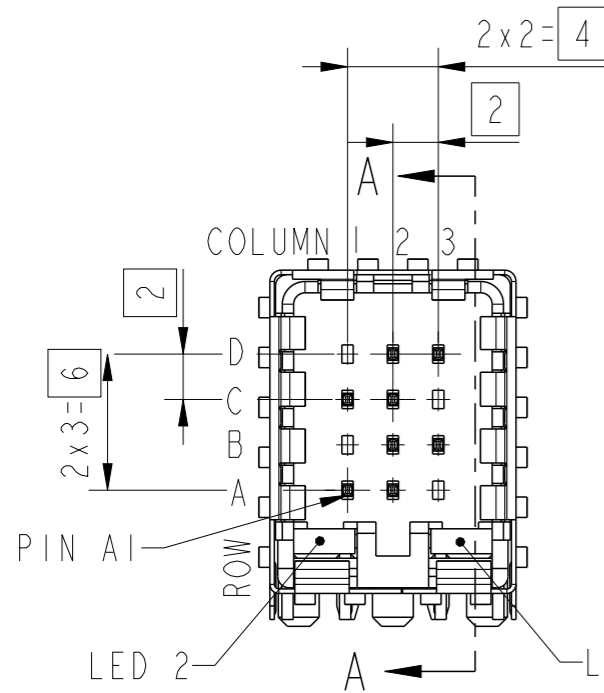
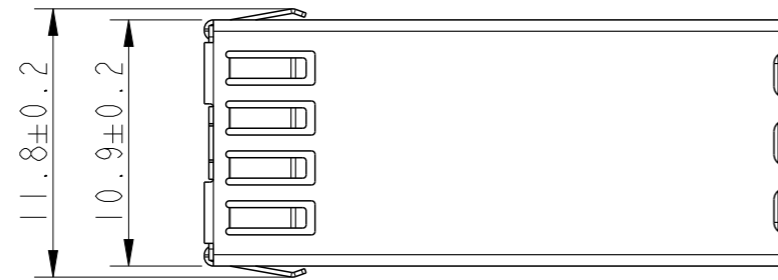
CONTACT LOADING PATTERN

PART NO.	ROW	COLUMN 1	COLUMN 2	COLUMN 3
10137391-10XLF (SEE NOTE 9, PAGE 8)	D	-	x	x
	C	x	x	-
	B	-	x	x
	A	x	x	-
10137391-20XLF (SEE NOTE 9, PAGE 8)	D	x	x	x
	C	x	x	-
	B	x	x	x
	A	x	x	-
10137391-30XLF (SEE NOTE 9, PAGE 8)	D	x	x	x
	C	x	x	x
	B	x	x	x
	A	x	x	x

'x' DENOTES CONTACTS LOADED POSITION

LED LOADING INFORMATION

PART NO. (SEE NOTE 9, PAGE 8)	LED 2 LEFT	LED 1 RIGHT
10137391-X00LF	NIL	NIL
10137391-X01LF	YELLOW	GREEN
10137391-X02LF	NIL	GREEN
10137391-X03LF	YELLOW	NIL
10137391-X04LF	GREEN	YELLOW
10137391-X05LF	GREEN	GREEN
10137391-X06LF	YELLOW	YELLOW

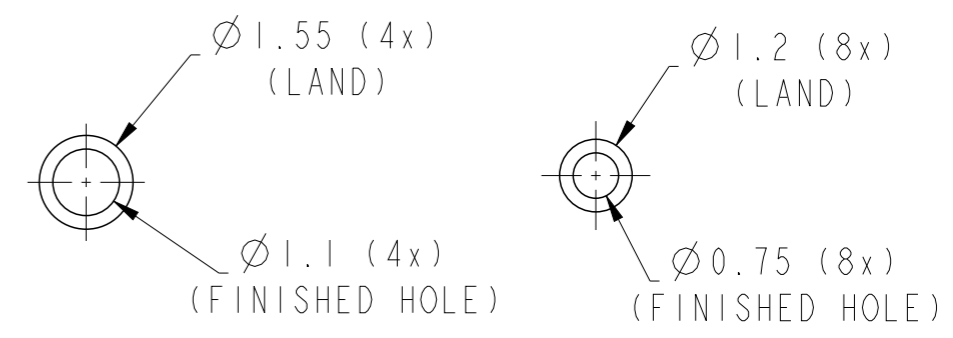
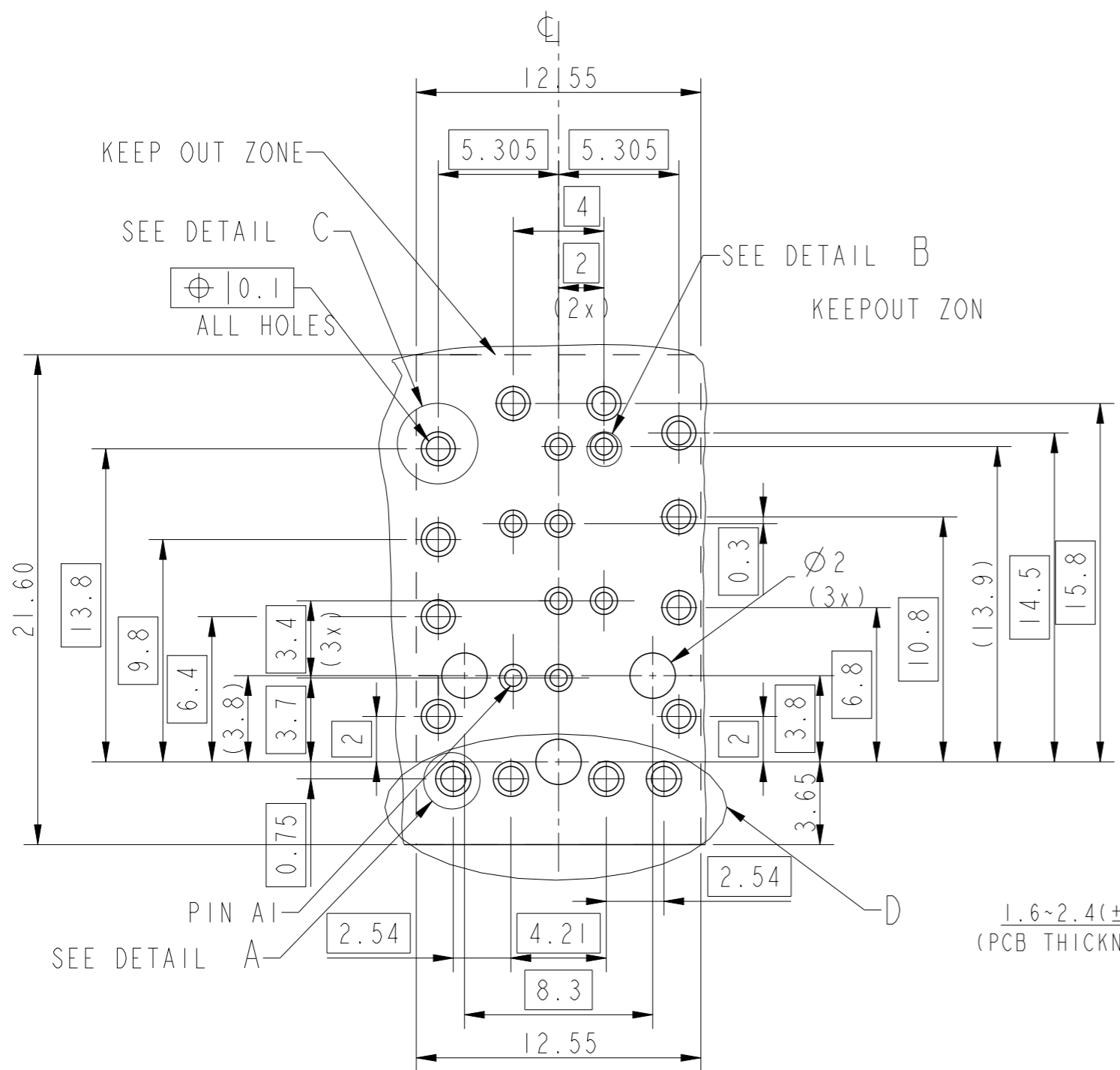


spec ref	dr	Jibin John	2016/10/27	projection	MM	size	A3	scale	2:1
tolerance std	eng	Alosius, Stali	2019/03/19			ecn no	ELX-I-30525-2	rel level	Released
ISO 406 ISO 1101	chr	-	-						
surface	linear	0.X	±0.3	product family	BOLTRACK	dwg no	10137391	rev	E
		0.XX	±0.13						
ISO 1302	angular	0°	±2°	cat. no.	-	Product - Customer Drw	sheet 1 of 8		

**Amphenol
FCi**

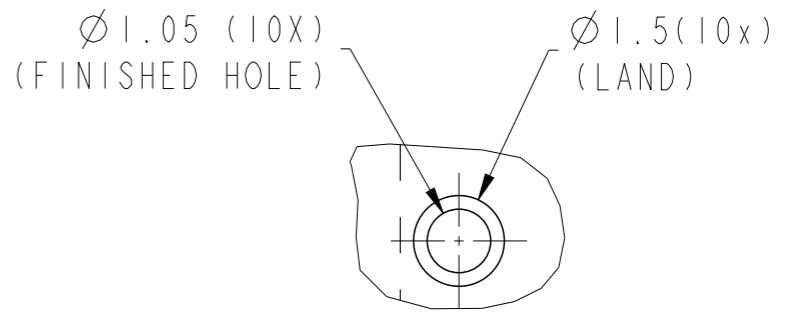
RIGHT ANGLE SHIELDED BOARD CONNECTOR
BOLTRACK

PCB LAYOUT
PART NUMBER- 10137391-10XLF
VIEW FROM COMPONENT SIDE

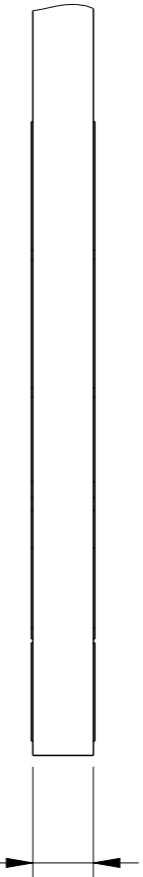


DETAIL A
SCALE 8:1
LED HOLES

DETAIL B
SCALE 8:1
SIGNAL HOLES



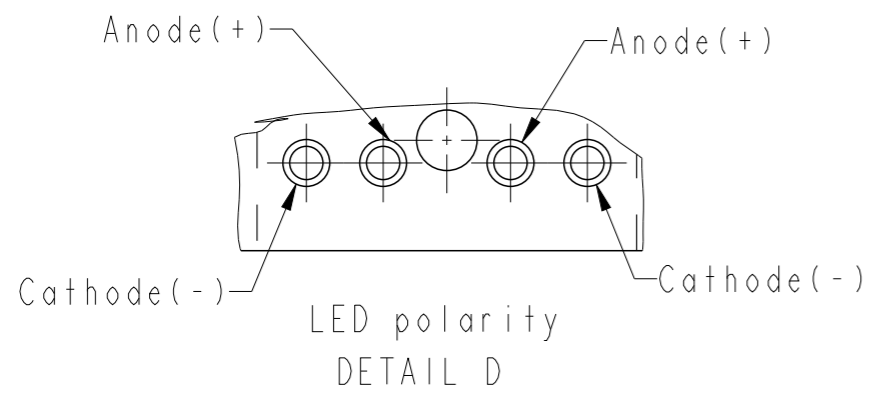
DETAIL C
SCALE 8:1
SHIELD HOLES



	SIGNAL PTH DETAILS	SHIELD PTH DETAILS	LED PTH DETAILS
DRILLED HOLE	0.82-0.87mm	1.12-1.17mm	1.17-1.22mm
COPPER PLATING	25-50µm	25-50µm	25-50µm
TIN PLATING	0.8-1.2µm	0.8-1.2µm	0.8-1.2µm
FINISHED HOLE DIA	0.70-0.80mm	1.00-1.10mm	1.05-1.15mm

NOTE:

1. REMOVE LED HOLES FOR PN:10137391-X00LF



spec ref	dr	Jibin John	2016/10/27	projection	MM	size	A3	scale	2:1
tolerance std	eng	Alosius, Stali	2019/03/19			ecn no	ELX-I-30525-2	rel level	Released
ISO 406 ISO 1101	chr	-	-						
surface	linear	0.X	±0.3	product family	BOLTRACK	dwg no	10137391	rev	E
		0.XX	±0.13						
ISO 1302	angular	0°	±2°	RIGHT ANGLE SHIELDED BOARD CONNECTOR	BOLTRACK	Product - Customer Drw	sheet 2 of 8		

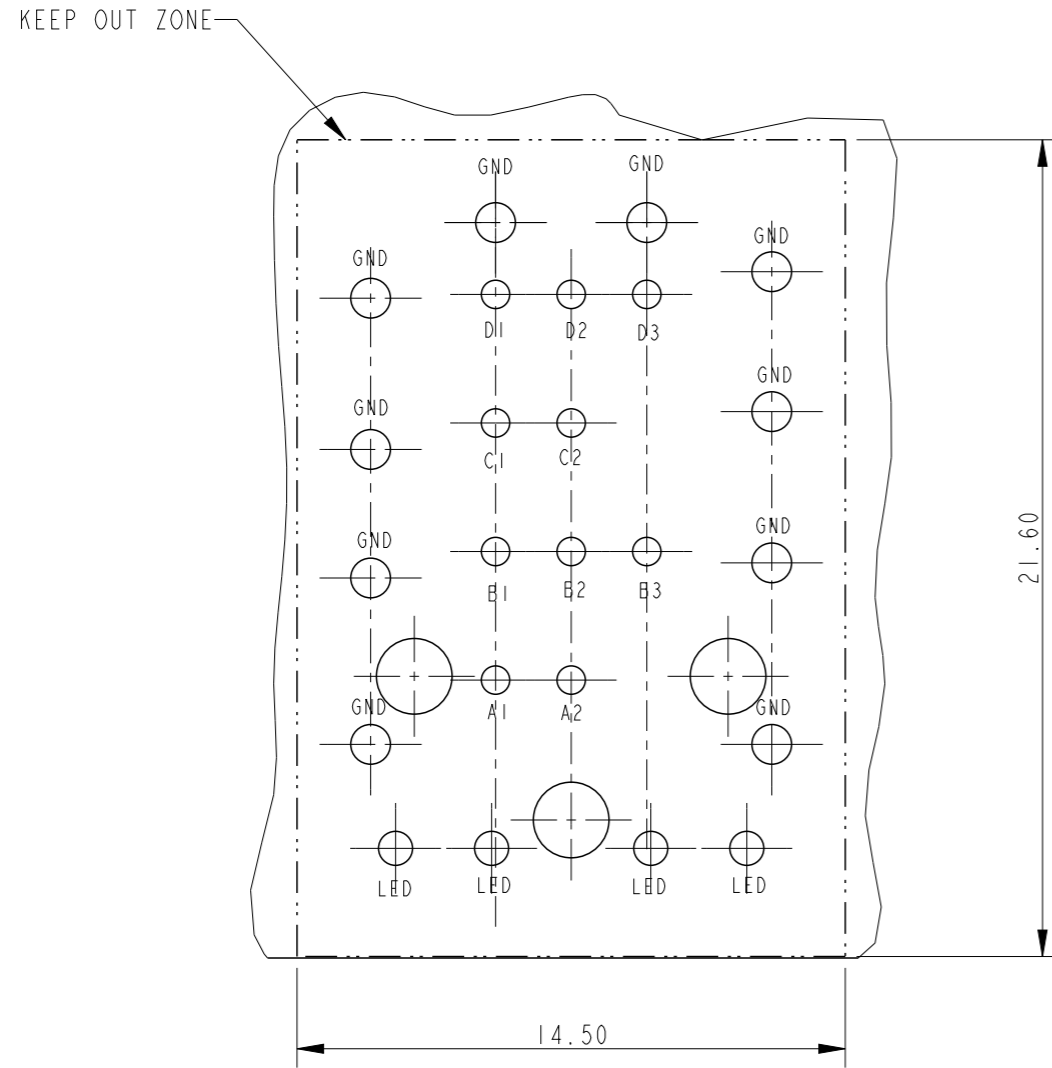
Amphenol
FCi

© 2016 AFCI

PCB LAYOUT

PART NUMBER- 10137391-20XLF

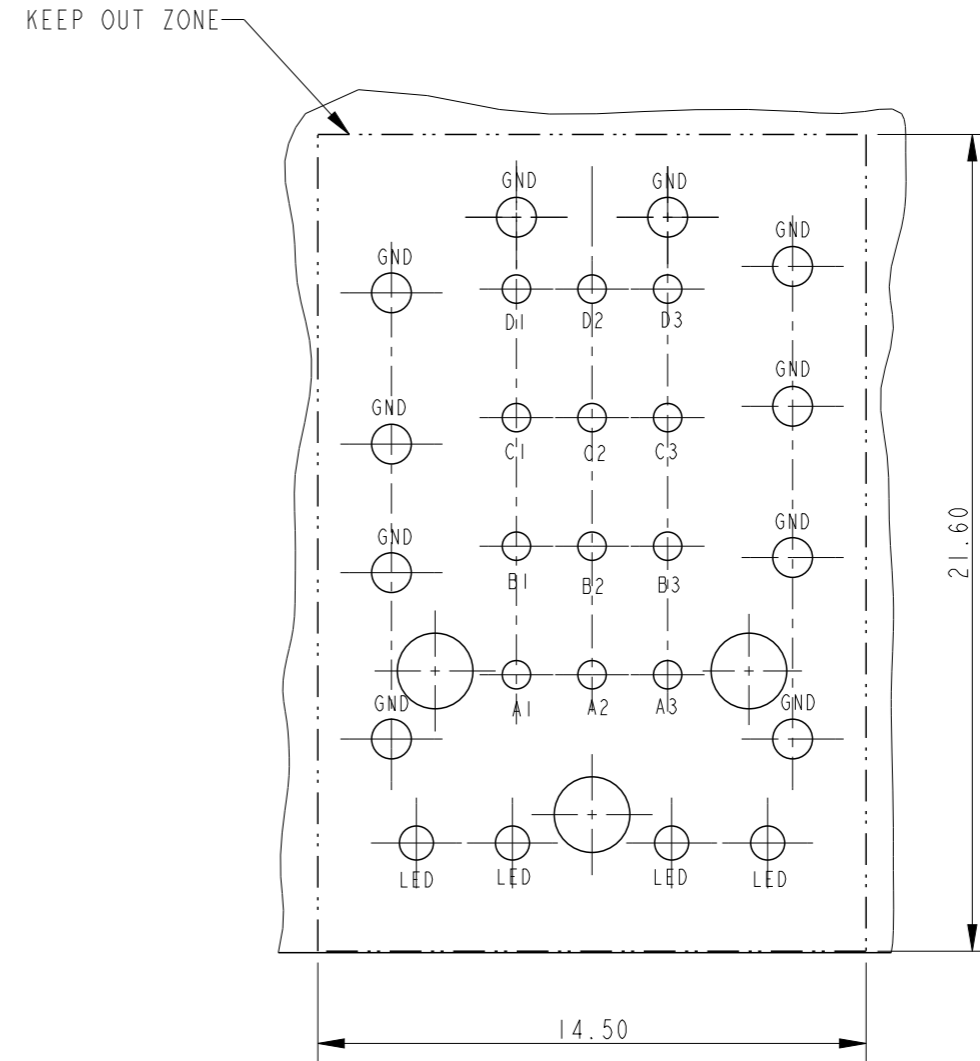
VIEW FROM COMPONENT SIDE



PCB LAYOUT

PART NUMBER- 10137391-30XLF

VIEW FROM COMPONENT SIDE



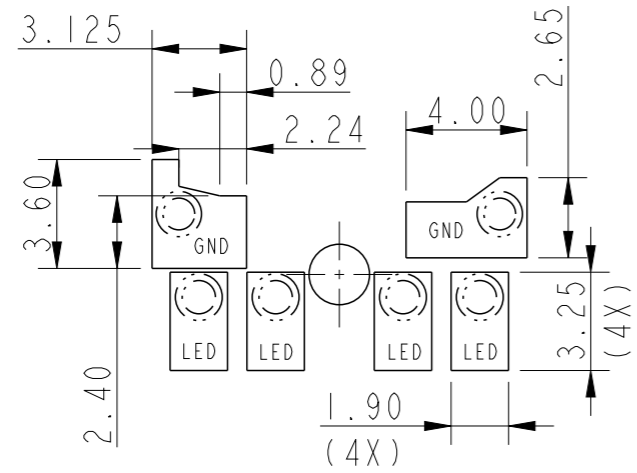
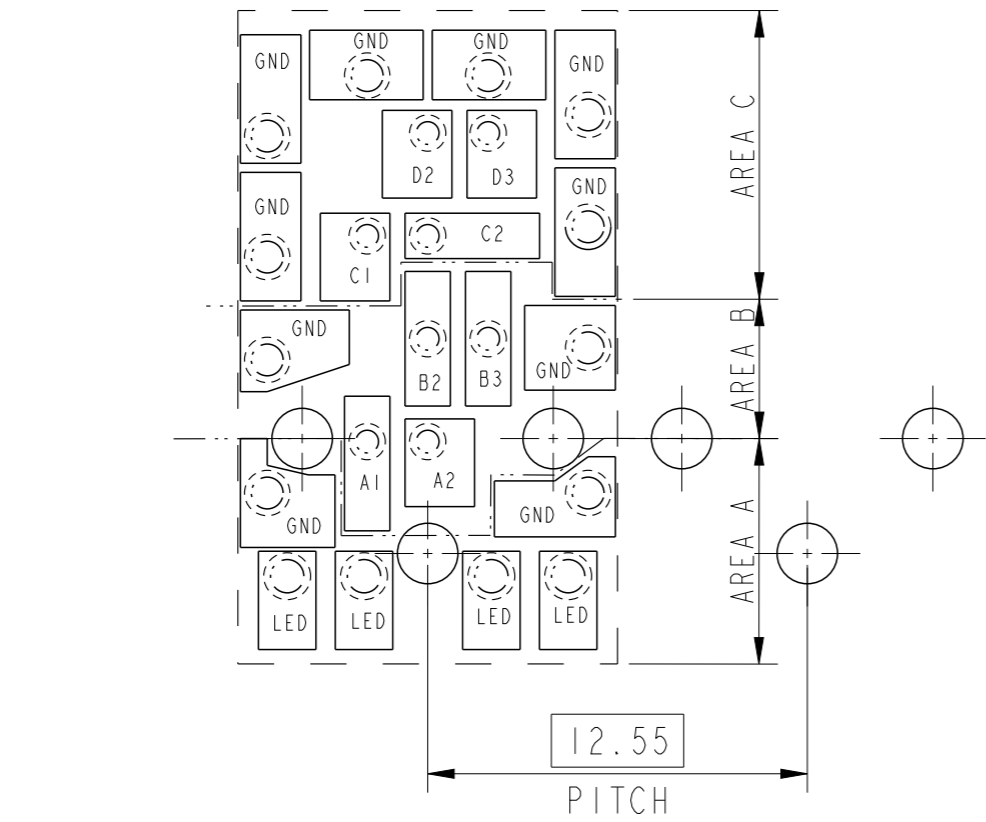
NOTE:

1. REMOVE LED HOLES FOR PN:10137391-X00LF

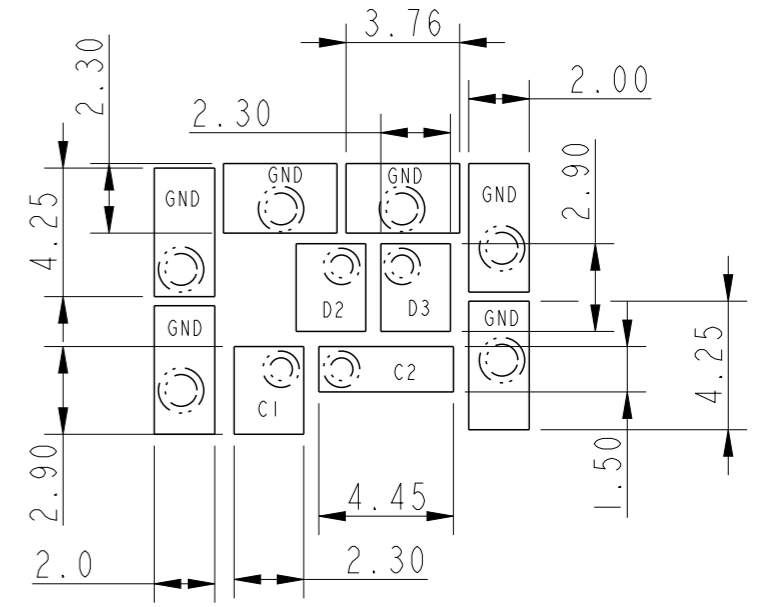
spec ref		dr	Jibin John	2016/10/27	projection	MM	size	A3	scale	1:1
tolerance std		eng	Aloisius, Stali	2019/03/19			ecn no		ELX-I-30525-2	
ISO 406 ISO 1101		chr	-	-			rel level		Released	
TOLERANCES UNLESS OTHERWISE SPECIFIED		appr	K-Paul Biju	2019/03/19	product family		BOLTRACK		rev	
surface	linear	0.X		±0.3	Amphenol FCI	RIGHT ANGLE SHIELDED BOARD CONNECTOR		dwg no	10137391	
		0.XX		±0.13						
		0.XXX		±0.050						
ISO 1302	angular	0°		±2°	cat. no.	-	Product - Customer Drw		sheet 3 of 8	

RECOMMENDED STENCIL LAYOUT FROM COMPONENT SIDE

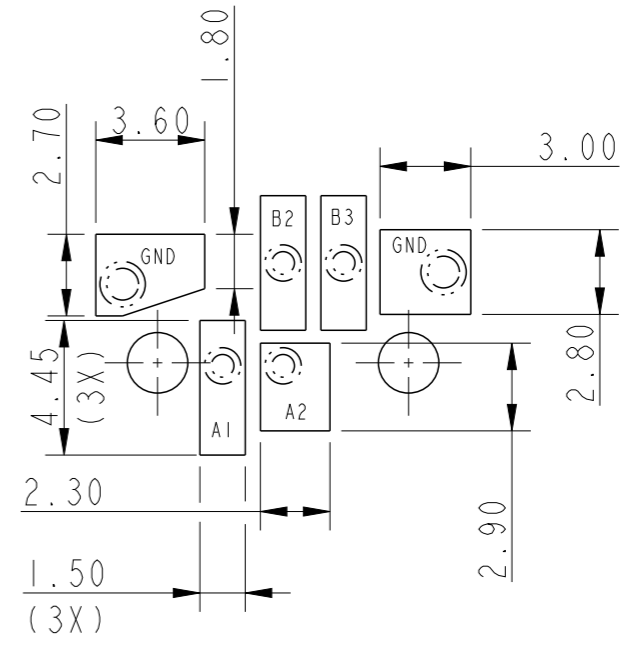
PART NUMBER- 10137391-10XLF



PCB AREA A



PCB AREA C



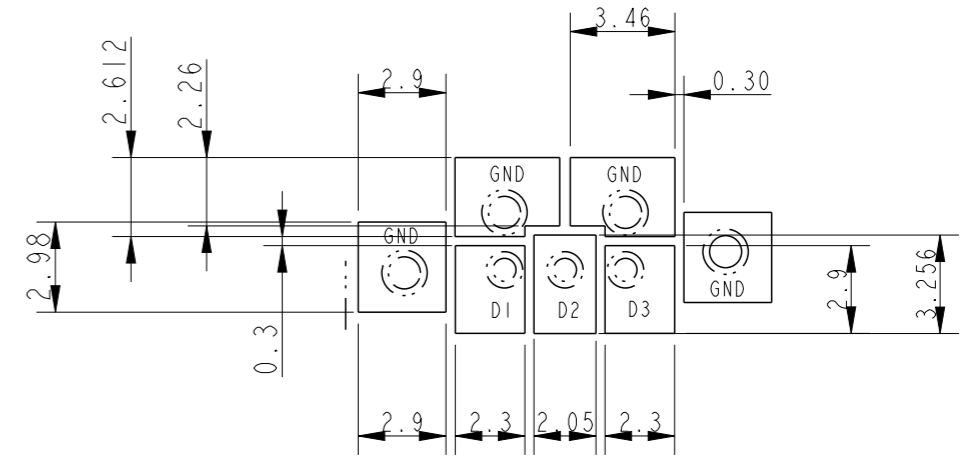
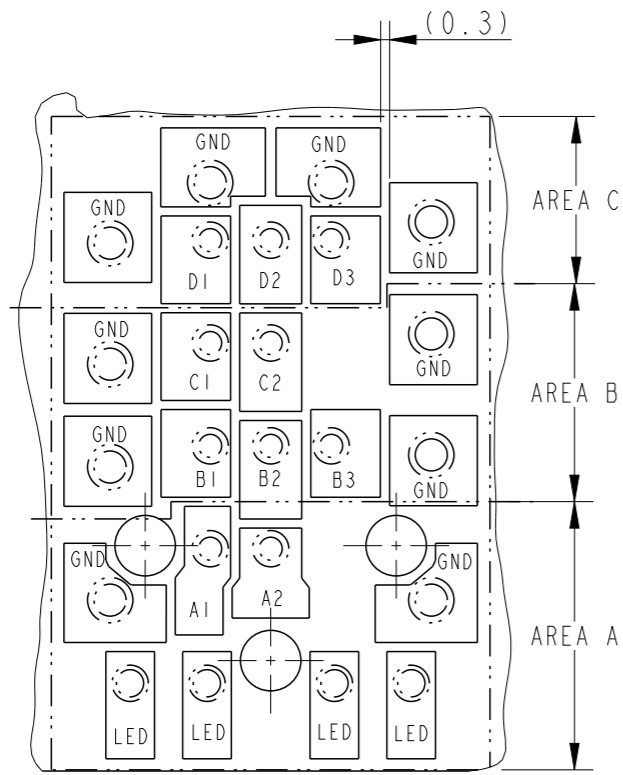
PCB AREA B

- NOTE:
 1. RECOMMEND THICKNESS OF STENCIL IS 0.125 MM FOR 1.6MM THICKNESS PCB
 2. REMOVE LED HOLES FOR PN:10137391-X00LF

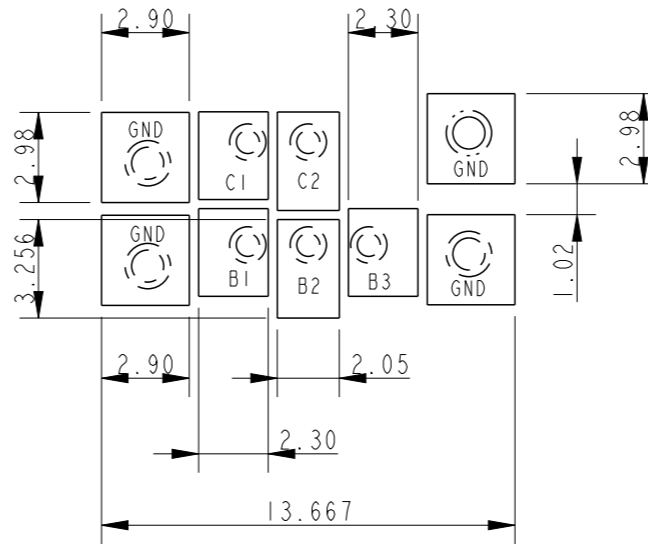
spec ref	dr	Jibin John	2016/10/27	projection	MM	size	A3	scale	2:1
tolerance std	eng	Aloisius, Stali	2019/03/19			ecn no	ELX-I-30525-2	rel level	Released
ISO 406 ISO 1101	chr	-	-						
surface	linear	0.X	±0.3		title RIGHT ANGLE SHIELDED BOARD CONNECTOR BOLTRACK	dwg no	10137391	rev	E
		0.XX	±0.13						
		0.XXX	±0.050						
ISO 1302	angular	0°	±2°	cat. no.	-	Product - Customer Drw	sheet 4 of 8		

RECOMMENDED STENCIL LAYOUT FROM COMPONENT SIDE

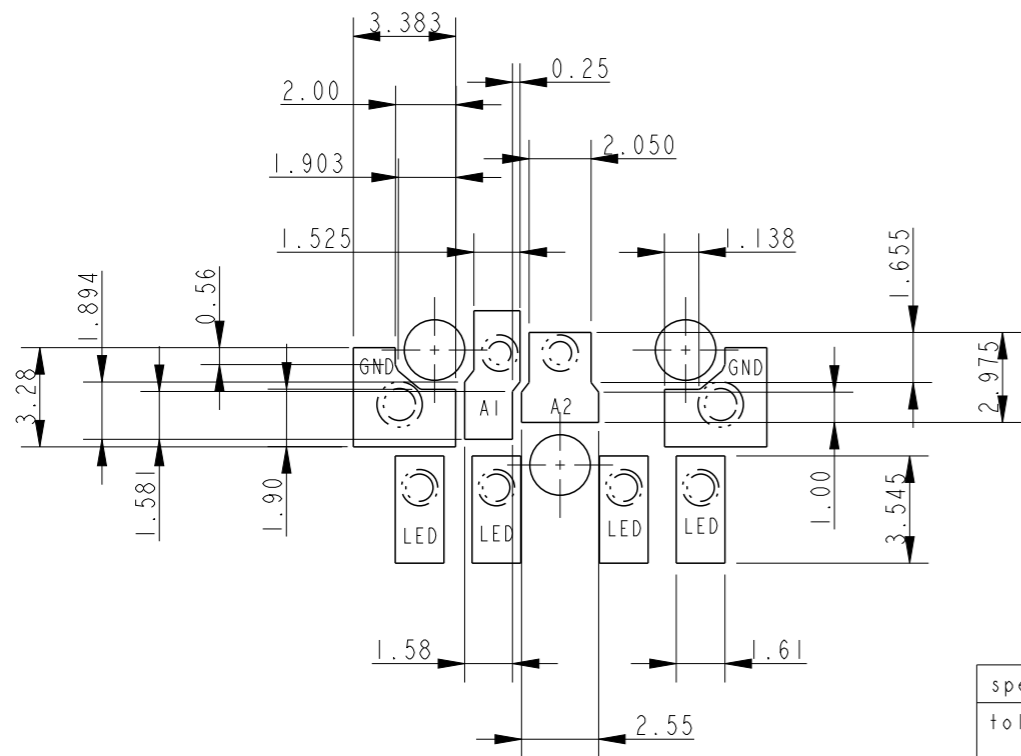
PART NUMBER- 10137391-20XLF



PCB AREA C



PCB AREA B



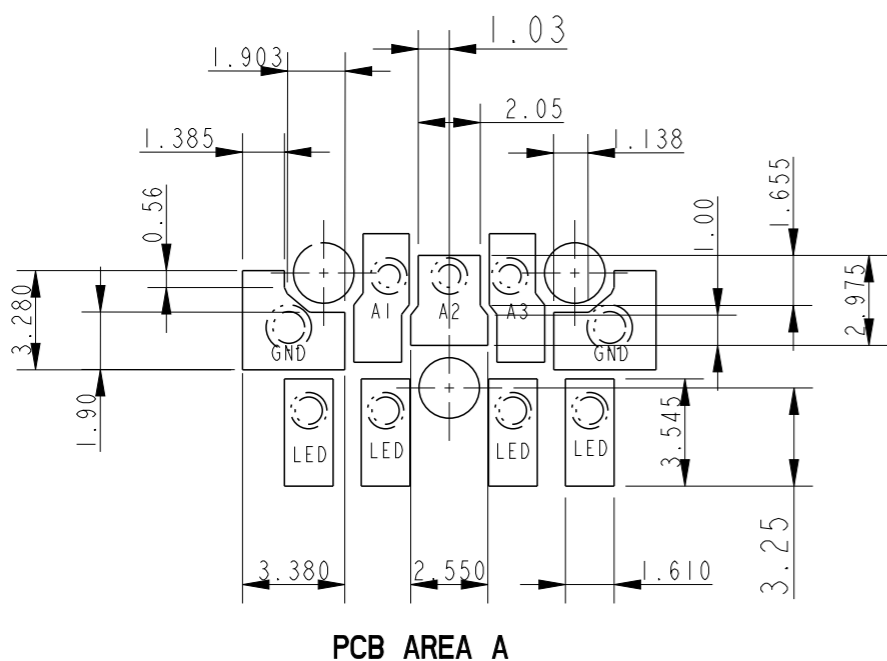
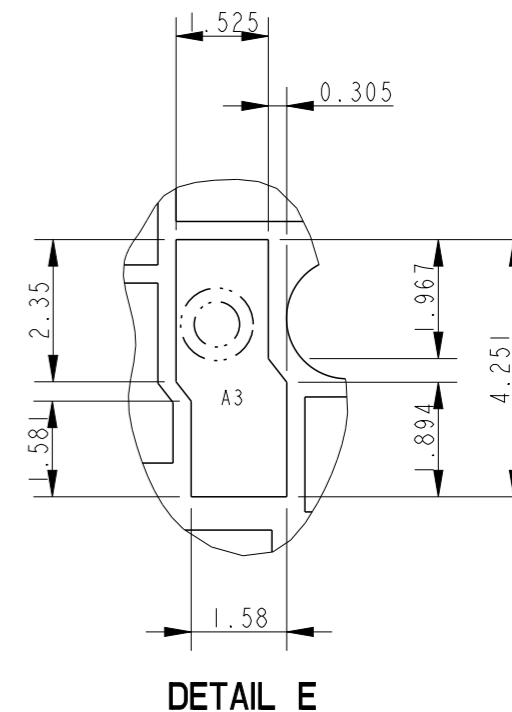
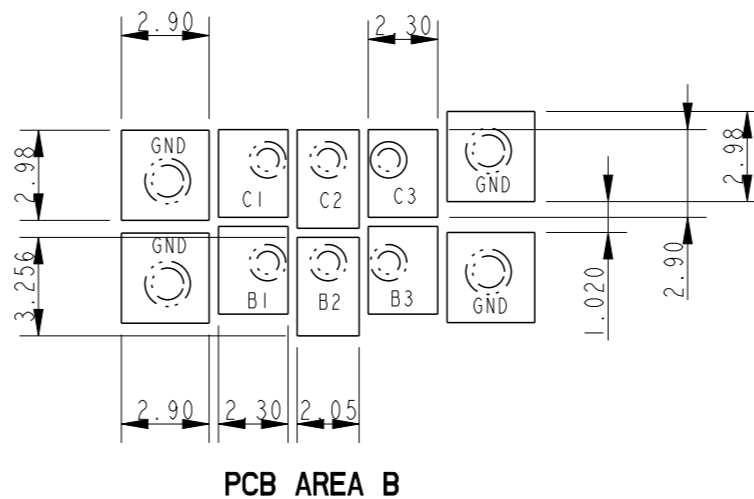
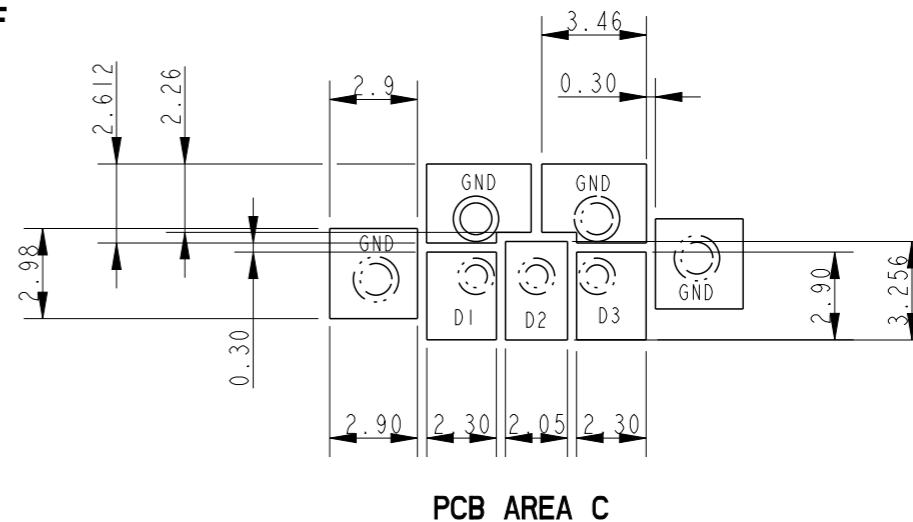
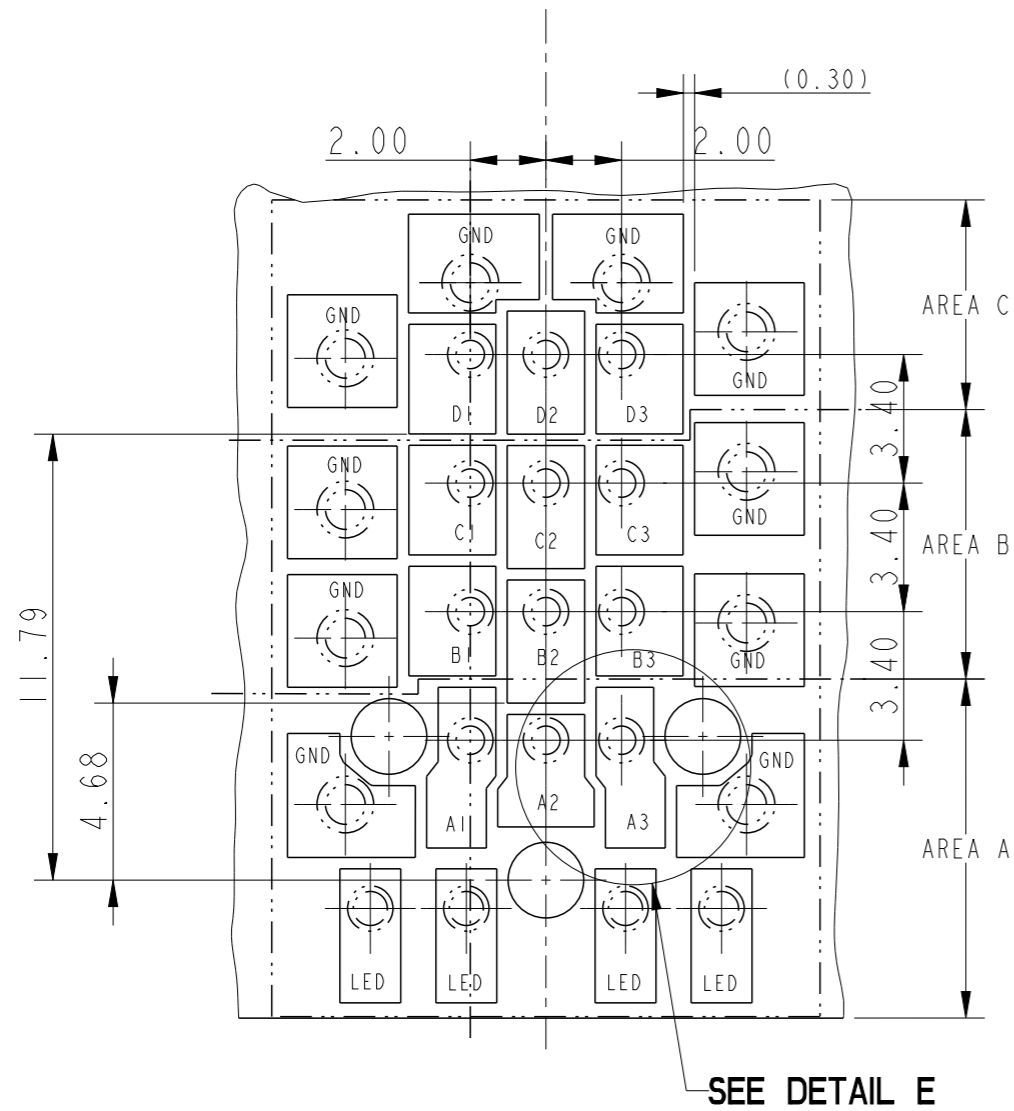
PCB AREA A

- NOTE:
 1. RECOMMEND THICKNESS OF STENCIL IS 0.125 MM FOR 1.6MM THICKNESS PCB
 2. REMOVE LED HOLES FOR PN:10137391-X00LF

spec ref	dr	Jibin John	2016/10/27	projection	MM	size	A3	scale	1:1
tolerance std	eng	Aloisius, Stali	2019/03/19			ecn no	ELX-I-30525-2	rel level	Released
ISO 406 ISO 1101	chr	-	-						
surface	appr	K-Paul Biju	2019/03/19			dwg no	10137391	rev	E
ISO 1302	linear	0.X	±0.3	Amphenol FCI		RIGHT ANGLE SHIELDED BOARD CONNECTOR BOLTRACK		cat. no.	-
	angular	0°	±2°	Product - Customer Drw		sheet 5 of 8			

RECOMMENDED STENCIL LAYOUT FROM COMPONENT SIDE

PART NUMBER- 10137391-30XLF

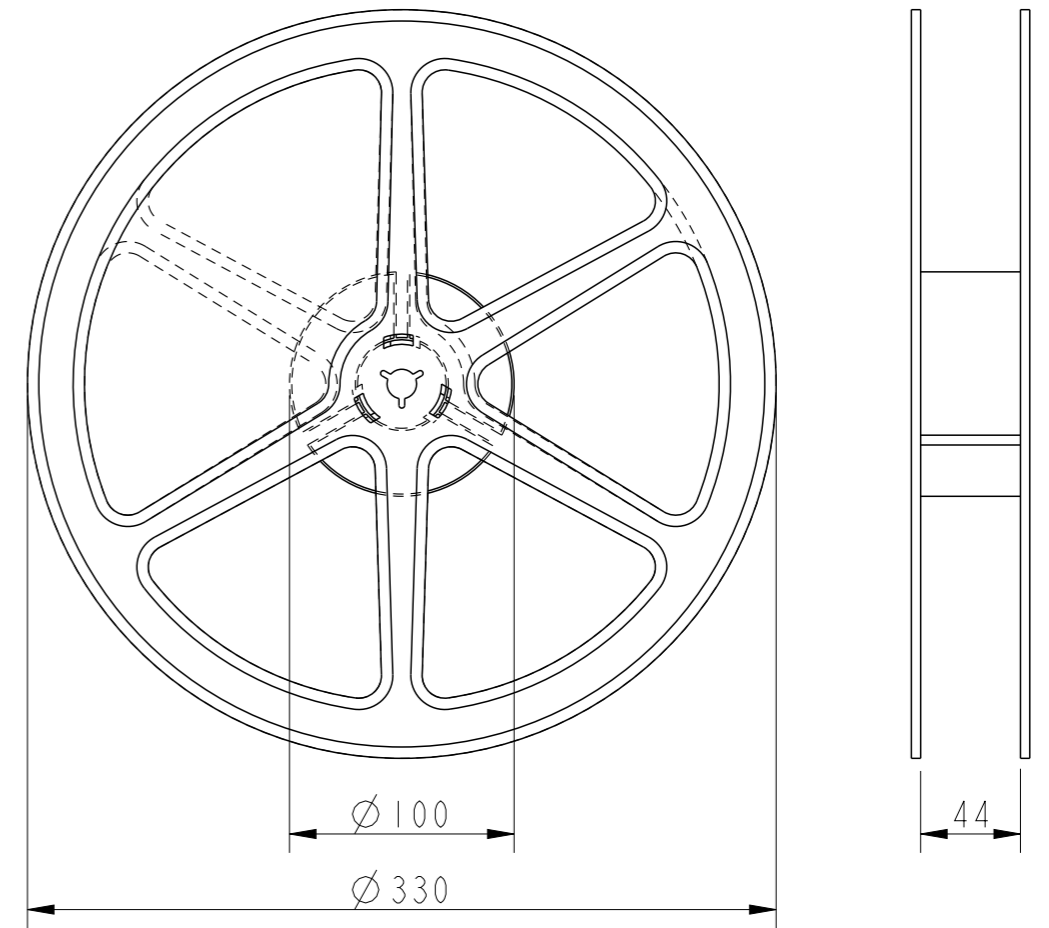
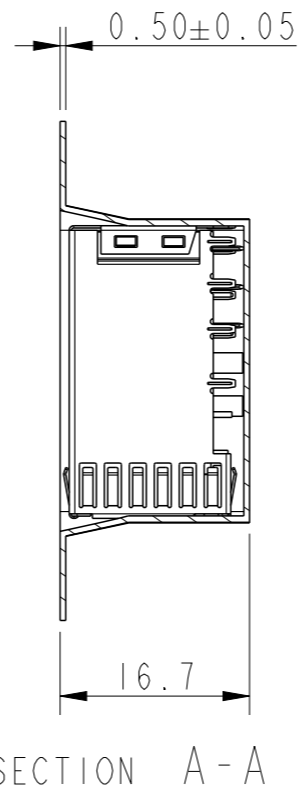
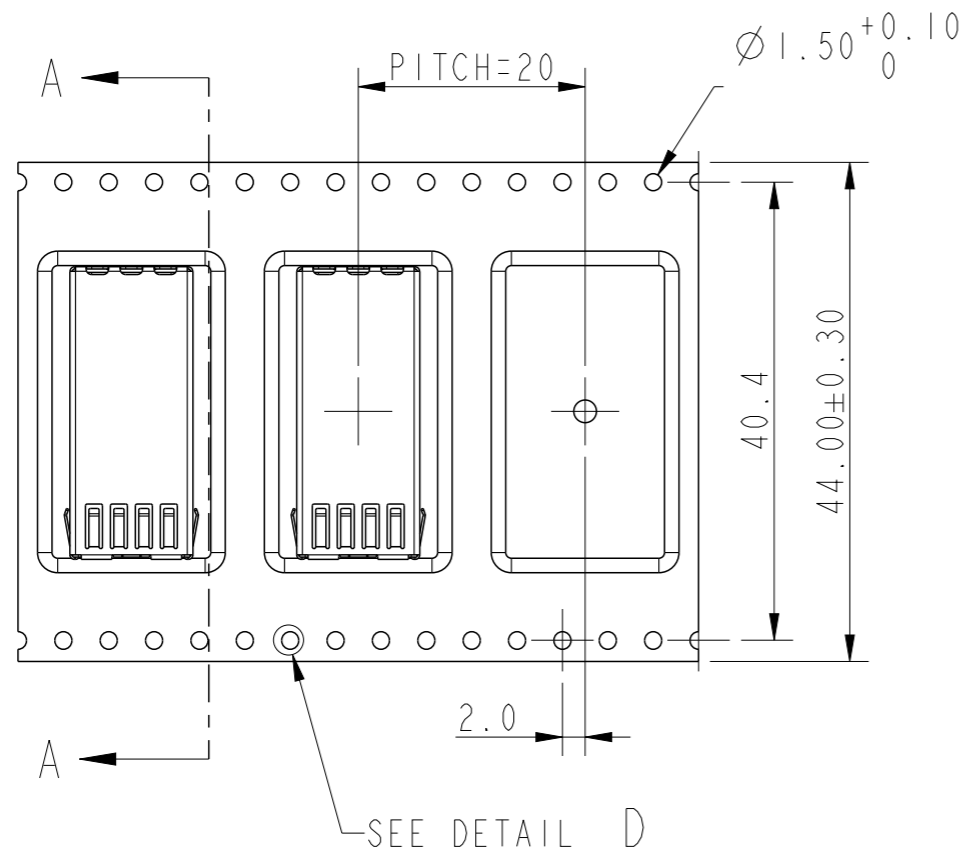


NOTE:

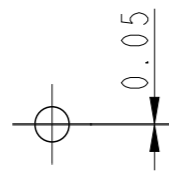
- RECOMMEND THICKNESS OF STENCIL IS 0.125 MM FOR 1.6MM THICKNESS PCB
- REMOVE LED HOLES FOR PN:10137391-X00LF

spec ref	dr	Jibin John	2016/10/27	projection	MM	size	A3	scale	1:1
tolerance std	eng	Aloisius, Stali	2019/03/19			ecn no	ELX-I-30525-2	rel level	Released
ISO 406 ISO 1101	chr	-	-						
surface	appr	K-Paul Bijju	2019/03/19			dwg no	10137391	rev	E
ISO 1302	linear	0.X	±0.3	title RIGHT ANGLE SHIELDED BOARD CONNECTOR BOLTRACK		cat. no.	-	Product - Customer Drw	
	angular	0°	±2°			sheet 6 of 8			

PACKAGING SPECIFICATION



DIRECTION OF FEED →



DETAIL D
SCALE 3:1

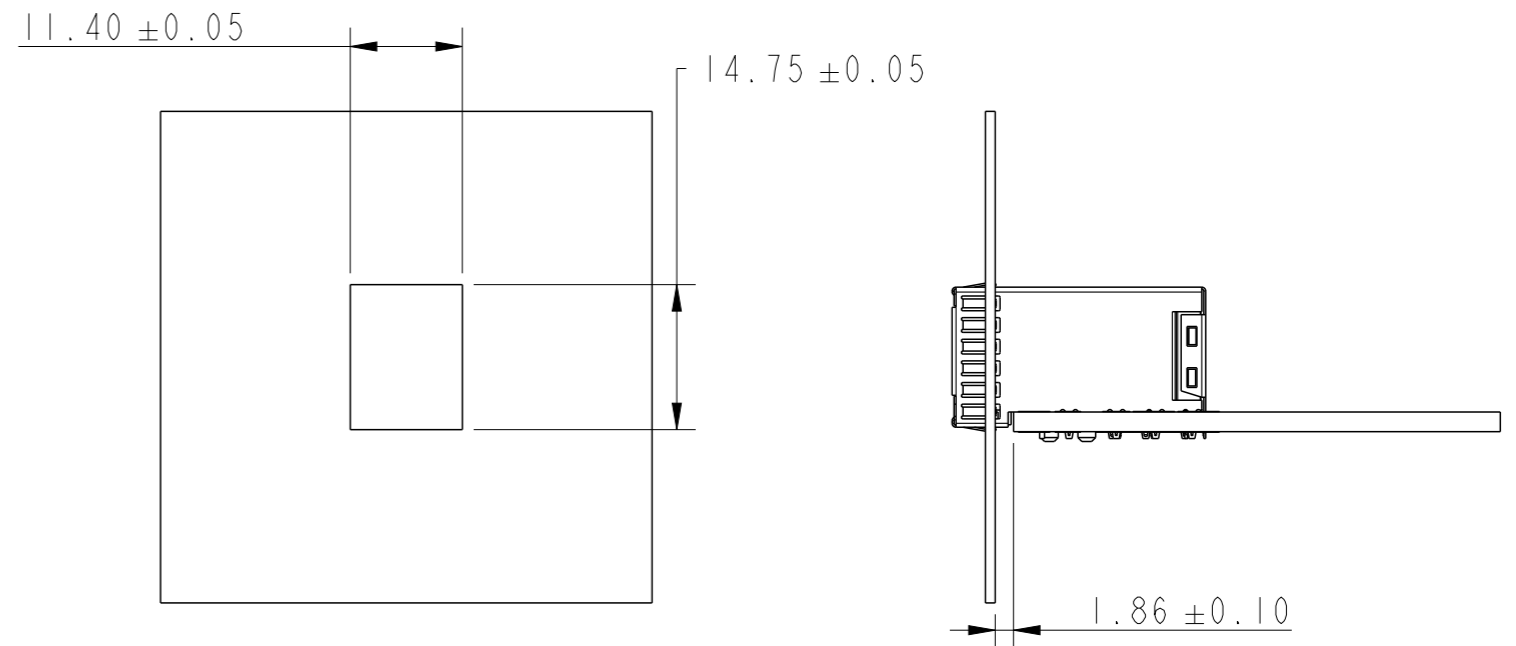
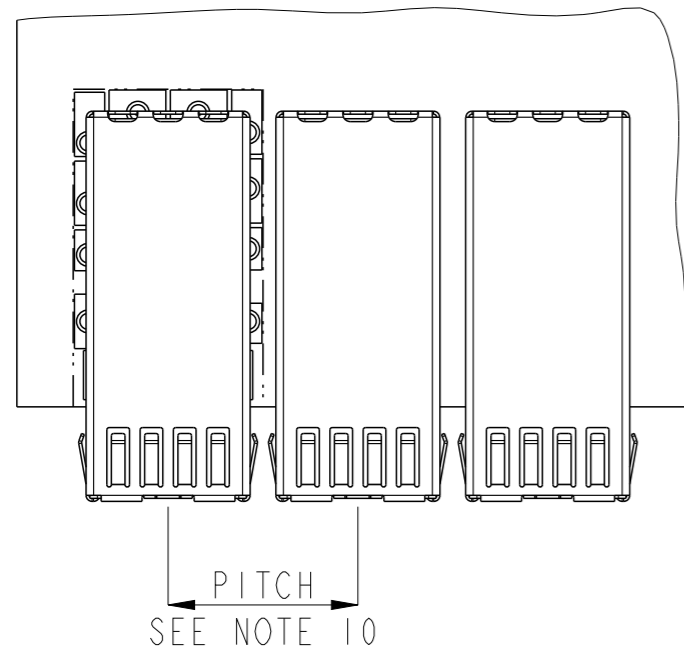
TAPE & REEL PACKING DETAILS

NOTES:

1. PACKAGING DETAILS AS PER EIA-481 STD.
2. PACKING SHOULD BE ANTISTATIC.
3. MATERIAL :
CARRIER TAPE : POLYSTYRENE
COVER TAPE : POLYSTYRENE

spec ref		dr	Jibin John	2016/10/27	projection	MM	size	A3	scale	1:1		
tolerance std		eng	Aloisius, Stali	2019/03/19			ecn no		ELX-I-30525-2			
ISO 406 ISO 1101		chr	-	-			rel level		Released			
TOLERANCES UNLESS OTHERWISE SPECIFIED		appr	K-Paul Biju	2019/03/19	product family		BOLTRACK					
surface		linear	0.X	±0.3		RIGHT ANGLE SHIELDED BOARD CONNECTOR		dwg no	10137391		rev	E
			0.XX	±0.13		BOLTRACK						
			0.XXX	±0.050								
ISO 1302		angular	0°	±2°	cat. no.	-	Product - Customer Drw		sheet 7 of 8			

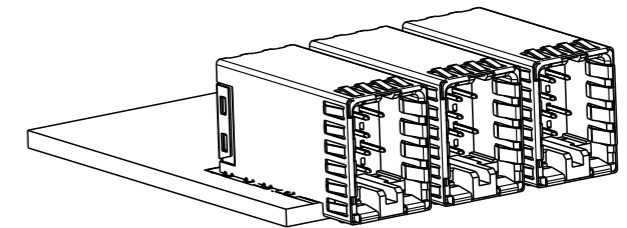
RECOMMENDED PANEL CUTOUT



NOTES:

1. MATERIAL :
 -RESIN - LCP, GLASS FILLED, FLAME RETARDANT ACC FLAMMABILITY CLASSIFICATION - UL94-V0
 -SIGNAL CONTACTS - COPPER ALLOY
 -CAGE - COPPER ALLOY
2. PLATING :
 -GOLD OVER PALLADIUM NICKEL ON CONTACT AREA OF SIGNALS PURE TIN AT TERMINAL AREA OF SIGNALS
3. PRODUCT SPECIFICATION: GS-12-1423
4. APPLICATION SPECIFICATION:GS-20-0556
5. PACKAGING - TAPE & REEL / TRAY
 PACKAGING SPECIFICATION: GS-XX-XXX

6. UNDER PLATING FOR CONTACTS IS 1.27μ NICKEL.
7. PRODUCT WILL WITHSTAND EXPOSURE TO 260° FOR 60 SECONDS IN A CONVECTION, INFRA RED OR VAPOUR PHASE REFLOW OVEN
8. PRODUCT WHERE THE PARTNUMBER ENDS IN LF MEETS EUROPEAN DIRECTIVES AND OTHER COUNTRY REGULATIONS AS DESCRIBED IN GS-47-0004.
9. FOR TRAY PACKAGING THE PART NUMBER WOULD BE 10137391-XOXPLF
10. FOR PART NUMBER 10177391-10XLF PITCH WILL BE 12.55 MM, FOR PART NUMBERS 10137391-20XLF AND 10137391-30XLF THE PITCH WILL BE 14.5 MM



spec ref		dr	Jibin John	2016/10/27	projection	MM	size	A3	scale	2:1		
tolerance std		eng	Aloisius, Stali	2019/03/19			ecn no		ELX-I-30525-2			
ISO 406		chr	-	-			rel level		Released			
ISO 1101		appr	K-Paul Biju	2019/03/19			product family		BOLTRACK			
surface	linear	0.X	±0.3		part no		RIGHT ANGLE SHIELDED BOARD CONNECTOR		dwg no	10137391	rev	E
		0.XX	±0.13		BOLTRACK							
ISO 1302	angular	0°	±2°		cat. no.	-	Product - Customer Drw		sheet 8 of 8			