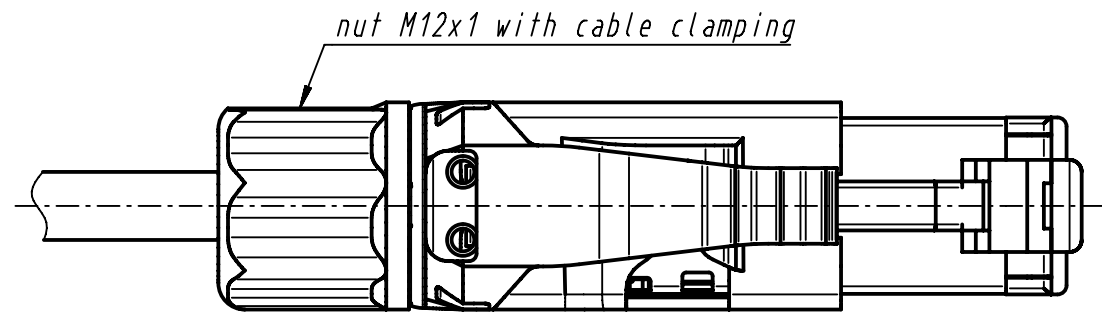
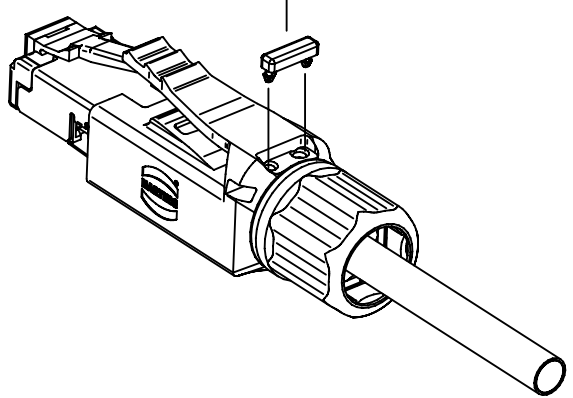


on request: Colour-Clip with RFID slot  
TB 09 45 850 00xx

Colour-Clip



data contact plating: Au 1,27 $\mu\text{m}$  (50 $\mu\text{in}$ ) over nickel

	All Dimensions in mm Original Size DIN A4	Scale 2:1		Free size tol.		Ref.	
						Sub.	
	All rights reserved Department EC PD - FR	Created by DOUGE	Inspected by BAGDIKIAN	Standardisation HOFFMANN	Date 2013-11-20	State Final Release	
		Title RJ45 PN plug Cat.5 IDC 4p RAIL					Doc-Key / ECM-Nr. 100557920/UGD/001/A 500000068637
HARTING Electronics GmbH D-32339 Espelkamp		Type TB	Number 09451511122			Rev. A	Page 1/1