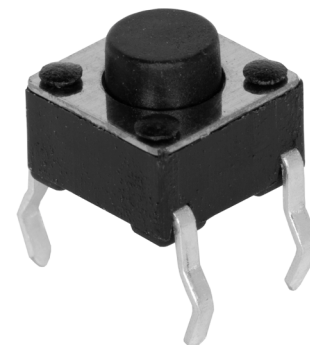


**SERIES:** TS02 | **DESCRIPTION:** TACTILE SWITCH

**FEATURES**

- through hole
- long crimped pins
- short crimped pins



**SPECIFICATIONS**

| parameter             | conditions/description                                   | min  | typ     | max  | units  |
|-----------------------|--|------|---------|------|--------|
| rated voltage         |  | 1    |         | 12   | Vdc    |
| rated current         |  | 0.01 |         | 50   | mA     |
| withstanding voltage  | for 1 minute   |      | 250     |      | Vac    |
| contact resistance    | applying load of 2 times operating force at 5 Vdc, 10 mA |      |         | 100  | mΩ     |
| insulation resistance | at 100 Vdc for 1 minute                                  | 100  |         |      | MΩ     |
| operating force       | see force table  |      |         |      |        |
| actuator travel       |  | 0.15 | 0.25    | 0.35 | mm     |
| operating temperature |  | -30  |         | 80   | °C     |
| storage temperature   |  | -40  |         | 90   | °C     |
| life                  | rated load, 2 cycles/second, 1.5 times operating force   |      |         |      |        |
|                       | 100 gf models  |      | 100,000 |      | cycles |
|                       | 160 gf models  |      | 80,000  |      | cycles |
|                       | 260 gf models  |      | 60,000  |      | cycles |
| vibration             | 10-55~10 Hz, 1.5 mm amplitude, 2 hours on each XYZ       |      |         |      |        |
| flammability rating   | see material table                                       |      |         |      |        |
| RoHS                  | yes  |      |         |      |        |

**SOLDERABILITY**

| parameter      | conditions/description | min | typ | max | units |
|----------------|------------------------|-----|-----|-----|-------|
| hand soldering | for maximum 3 seconds  |     |     | 350 | °C    |
| wave soldering | for maximum 5 seconds  |     |     | 260 | °C    |

**PART NUMBER KEY**

**TS02 - 66 - XX - BK - XXX - XXX - D**

Base Number

Actuator Height:

43 = 4.3 mm    80 = 8.0 mm    130 = 13.0 mm  
 50 = 5.0 mm    90 = 9.0 mm    \*140 = 14.0 mm  
 \*55 = 5.5 mm    95 = 9.5 mm    150 = 15.0 mm  
 60 = 6.0 mm    100 = 10.0 mm    153 = 15.3 mm  
 70 = 7.0 mm    110 = 11.0 mm    \*160 = 16.0 mm  
 73 = 7.3 mm    \*120 = 12.0 mm    170 = 17.0 mm

Push Force:  
 100 = 100 gf  
 160 = 160 gf  
 260 = 260 gf

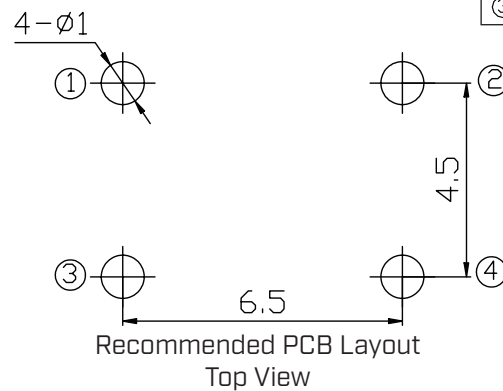
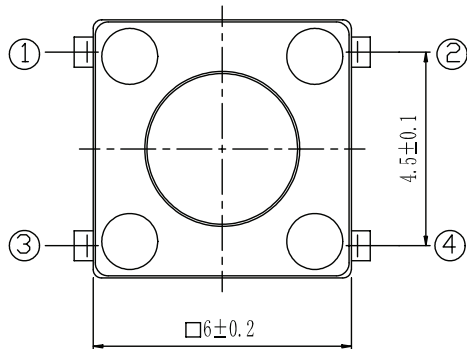
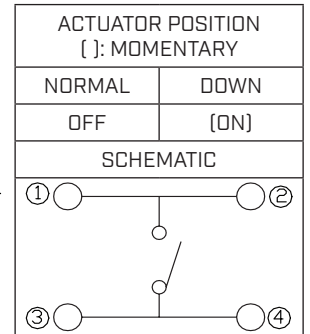
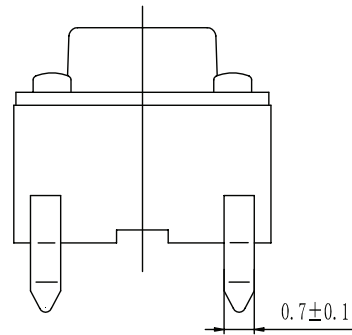
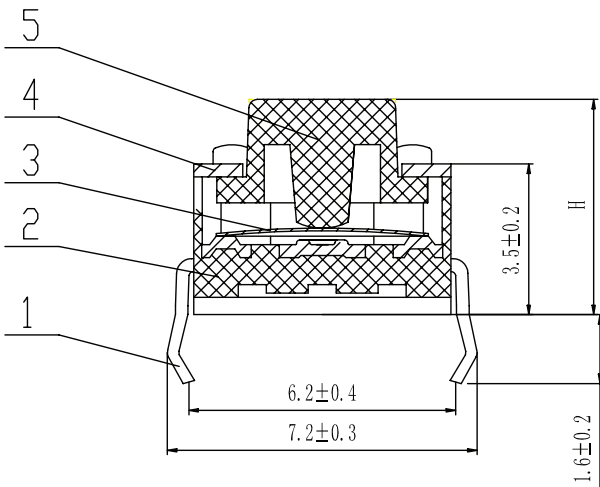
Terminals:  
 SCR = Short Crimped  
 LCR = Long Crimped

Note: \*Only available with LCR (long crimped) terminals.

## MECHANICAL DRAWING (SCR VERSION)

units: mm  
tolerance:  $\pm 0.2$  mm  
unless otherwise noted

| ITEM | DESCRIPTION | MATERIAL        | PLATING/COLOR |
|------|-------------|-----------------|---------------|
| 1    | terminals   | brass           | silver        |
| 2    | housing     | PA66 (UL94HB)   | black         |
| 3    | contacts    | phosphor bronze | silver        |
| 4    | cover       | stainless steel |               |
| 5    | stem        | PA66 (UL94HB)   | black         |

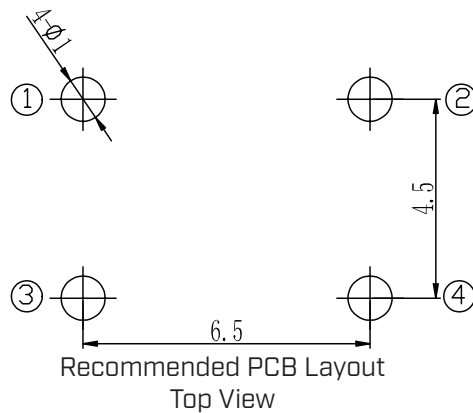
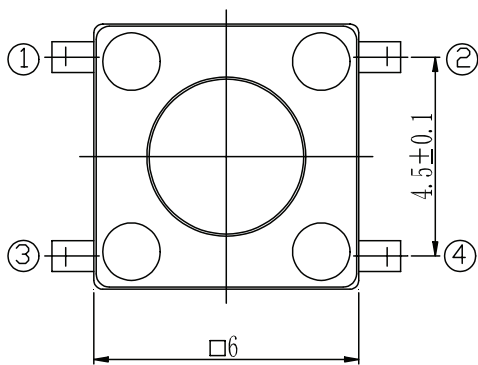
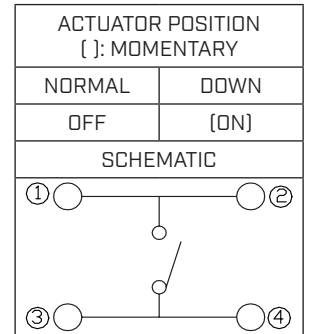
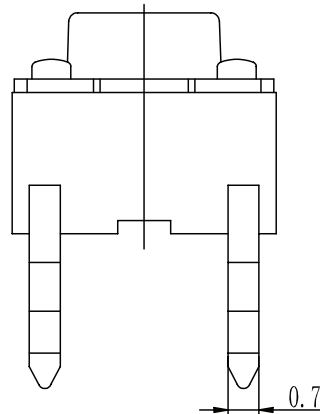
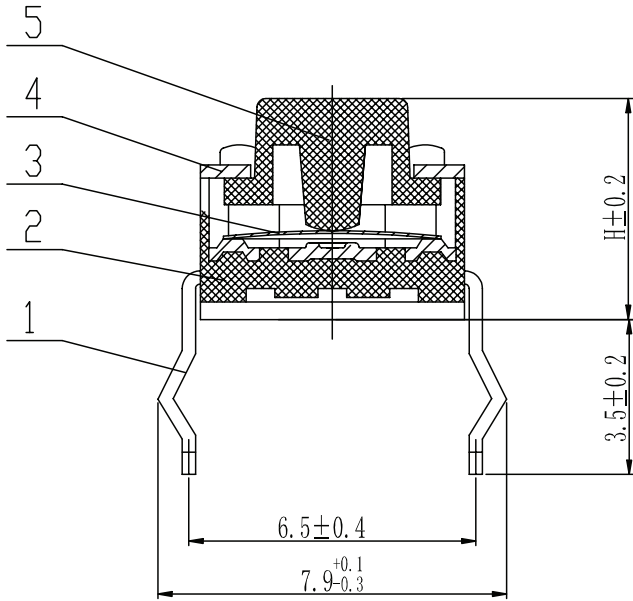


| Operating Force Table |                 |                  |
|-----------------------|-----------------|------------------|
| Model                 | Press Force [N] | Return Force [N] |
| 100                   | $1.0 \pm 0.3$   | $> 0.2$          |
| 160                   | $1.6 \pm 0.5$   | $> 0.2$          |
| 260                   | $2.6 \pm 0.5$   | $> 0.2$          |

## MECHANICAL DRAWING (LCR VERSION)

units: mm  
 tolerance:  $\pm 0.2$  mm  
 unless otherwise noted

| ITEM | DESCRIPTION | MATERIAL        | PLATING/COLOR |
|------|-------------|-----------------|---------------|
| 1    | terminals   | brass           | silver        |
| 2    | housing     | PA66 (UL94HB)   | black         |
| 3    | contacts    | phosphor bronze | silver        |
| 4    | cover       | stainless steel |               |
| 5    | stem        | PA66 (UL94HB)   | black         |

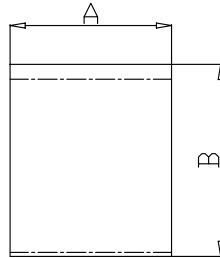


| Model | Press Force [N] | Return Force [N] |
|-------|-----------------|------------------|
| 100   | 1.0 $\pm$ 0.3   | >0.2             |
| 160   | 1.6 $\pm$ 0.5   | >0.2             |
| 260   | 2.6 $\pm$ 0.5   | >0.2             |

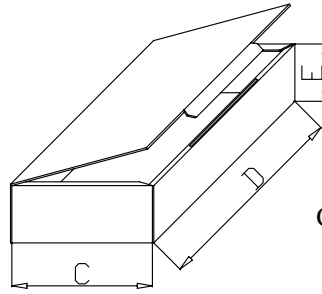
## PACKAGING

units: mm

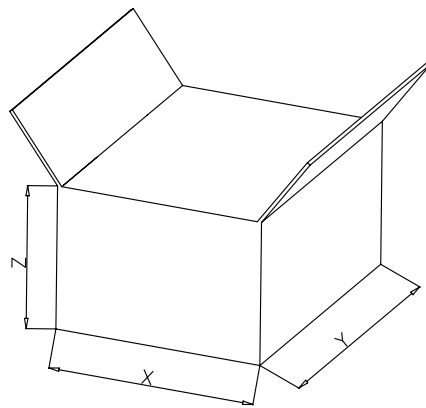
Bag Size: 190 x 160 mm  
Carton Box Size: 445 x 350 x 280 mm  
Bag QTY: 1,000 pcs per box  
Carton Box QTY: 60,000 pcs per bag



A=160mm、B=190mm



C=160mm、D=216mm、E=48mm



X=350mm、Y=455、Z=280mm

## REVISION HISTORY

| rev. | description                  | date       |
|------|------------------------------|------------|
| 1.0  | initial release              | 09/21/2021 |
| 1.01 | logo, datasheet style update | 08/05/2022 |

The revision history provided is for informational purposes only and is believed to be accurate.



CUI Devices offers a one (1) year limited warranty. Complete warranty information is listed on our website.

CUI Devices reserves the right to make changes to the product at any time without notice. Information provided by CUI Devices is believed to be accurate and reliable. However, no responsibility is assumed by CUI Devices for its use, nor for any infringements of patents or other rights of third parties which may result from its use.

CUI Devices products are not authorized or warranted for use as critical components in equipment that requires an extremely high level of reliability. A critical component is any component of a life support device or system whose failure to perform can be reasonably expected to cause the failure of the life support device or system, or to affect its safety or effectiveness.

[cuidevices.com](http://cuidevices.com)