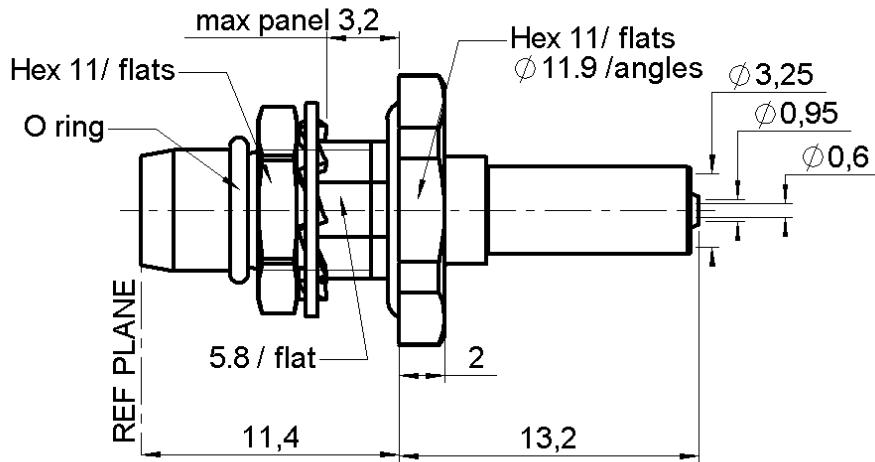


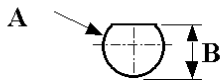
**STRAIGHT BULHEAD PLUG COMBINATION SEAL**  
**CRIMP TYPE FOR 2/50S CABLE**

**R128.081.001**

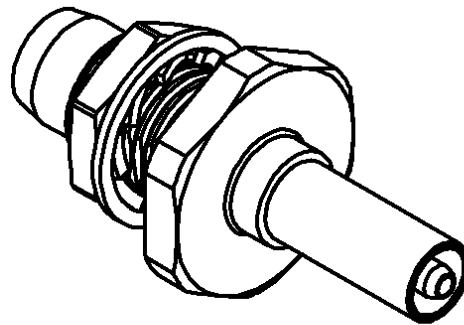
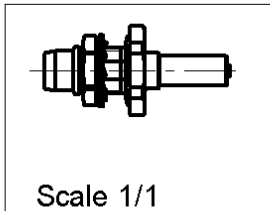
Series : BMA



**PANEL CUT OUT**



mm		
	Maxi	mini
A	6.175	6.15
B	5.88	5.87



All dimensions are in mm.



COMPONENTS	MATERIALS	PLATINGS ( $\mu\text{m}$ )
BODY	STAINLESS STEEL	PASSIVATED .
CENTER CONTACT	BERYLLIUM COPPER	GOLD 1.3 OVER NICKEL 2
OUTER CONTACT	-	-
INSULATOR	PTFE	-
GASKET	SILICONE RUBBER	-
OTHERS PARTS	BRASS	NICKEL 2
-	-	-
-	-	-

Issue : 0723 B

In the effort to improve our products, we reserve the right to make changes judged to be necessary.



**STRAIGHT BULKEAD PLUG COMBINATION SEAL**

**R128.081.001**

**CRIMP TYPE FOR 2/50S CABLE**

Series : BMA

**PACKAGING**

Standard	Unit	Other
<b>1 1</b>		<b>Contact us</b>

**SPECIFICATION**

**ELECTRICAL CHARACTERISTICS**

Impedance		<b>50</b> Ω
Frequency		<b>0-12.4</b> GHz
VSWR	<b>1.25 +</b>	<b>0,0700</b> x F(GHz) Maxi
Insertion loss		<b>0.03</b> √F(GHz) dB Maxi
RF leakage	- (	<b>NA</b> - F(GHz) dB mini
Voltage rating		<b>250</b> Veff Maxi
Dielectric withstanding voltage		<b>750</b> Veff mini
Insulation resistance		<b>5000</b> MΩ mini

**CABLE ASSEMBLY**

Stripping	a	b	c	d	e	f
mm	1,50	7,00	11,5	0,00	10,0	0,00

Assembly instruction :

Recommended cable(s)  
 RG 196  
 RG 178 LC  
 RG 178  
 KX 21

Cable retention

- pull off **40** N mini
- torque **NA** N.cm

**MECHANICAL CHARACTERISTICS**

Center contact retention		
Axial force – Mating end	<b>27</b>	N mini
Axial force – Opposite end	<b>27</b>	N mini
Torque	<b>NA</b>	N.cm mini

**TOOLING**

Part Number	Description	Hexagon
.	.	.
R282.293.000	CRIMPING TOOL M22520/5-01	-
R282.211.000	CRIMPING TOOL	3.25
R282.235.003	CRIMPING DIES	3.25

Recommended torque		
Mating	<b>NA</b>	N.cm
Panel nut	<b>150</b>	N.cm
Clamp nut	<b>NA</b>	N.cm
A/F clamp nut	<b>0,0000</b>	mm

Mating life	<b>1000</b>	Cycles mini
Weight	<b>0,0000</b>	g

**OTHERS CHARACTERISTICS**

-

**ENVIRONMENTAL**

Operating temperature	<b>-65/+125</b>	° C
Hermetic seal	<b>NA</b>	Atm.cm3/s
Panel leakage	<b>0.35</b>	

Issue : 0723 B

In the effort to improve our products, we reserve the right to make changes judged to be necessary.



**STRAIGHT BULKEAD PLUG COMBINATION SEAL**

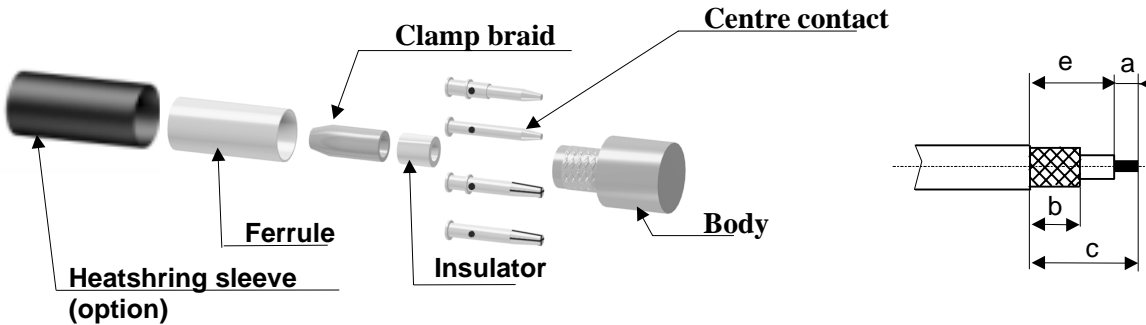
**R128.081.001**

**CRIMP TYPE FOR 2/50S CABLE**

Series : BMA

**COMPONENTS**

**STRIPPING DIMENSIONS**



**1**

Slide the heatshrink sleeve onto the cable (Option).  
Slide the ferrule onto the cable.  
Strip the cable.

**4**

Slide cable into body until it bottoms against insulator.

**2**

Fan the braid.  
Slide the braid clamp and the insulator between the dielectric and the braid.  
Slide the insulator between the dielectric and the braid.

**5**

Slide the ferrule over the braid.  
Crimp the ferrule with crimping tool ( see connector TDS ).

**3**

Slide on the centre contact until it bottoms against the cable dielectric.  
Solder or crimp the centre contact with crimping tool ( see connector TDS ).  
Clean solder area if necessary.

**6**

Cut the excess of braid if necessary.  
Slide the sleeve over the ferrule and heatshrink it in place (Option).

Issue : 0723 B

In the effort to improve our products, we reserve the right to make changes judged to be necessary.



# Mouser Electronics

Authorized Distributor

Click to View Pricing, Inventory, Delivery & Lifecycle Information:

[Radial:](#)

[R128081001](#)