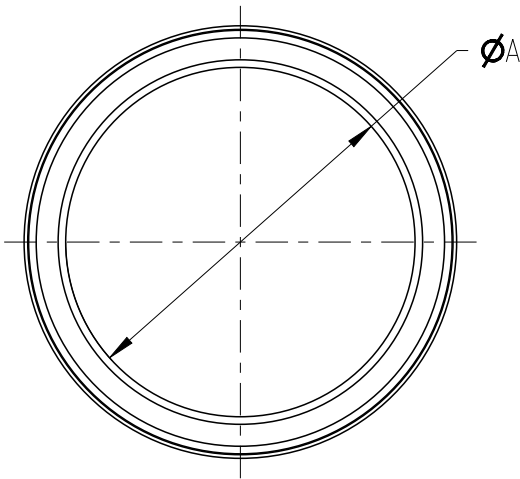
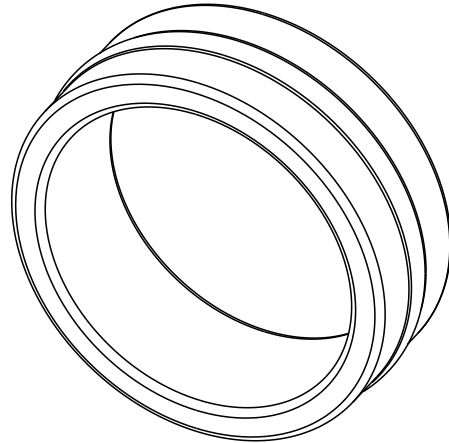
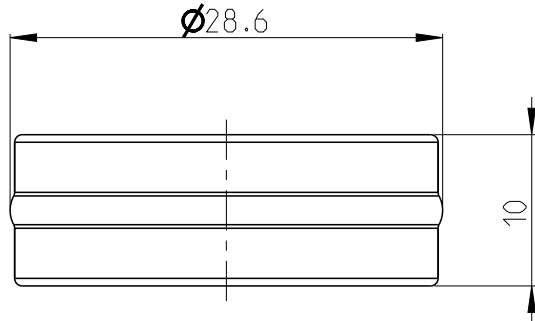


REVISIONS

P	LTR	DESCRIPTION	DATE	DWN	APVD
	A1	ECR-22-136442	12APR22	S.T	Z.Z
	A2	ECR-22-153884	19SEP22	S.T	Z.Z
	A3	ECR-22-162330	28DEC22	S.T	Z.Z
	A4	ECN-23-223419	25JUL23	Y.L	Z.Z



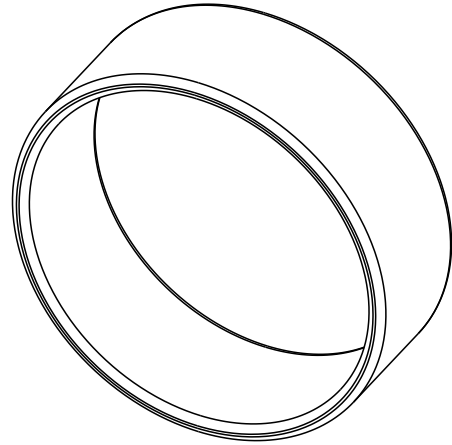
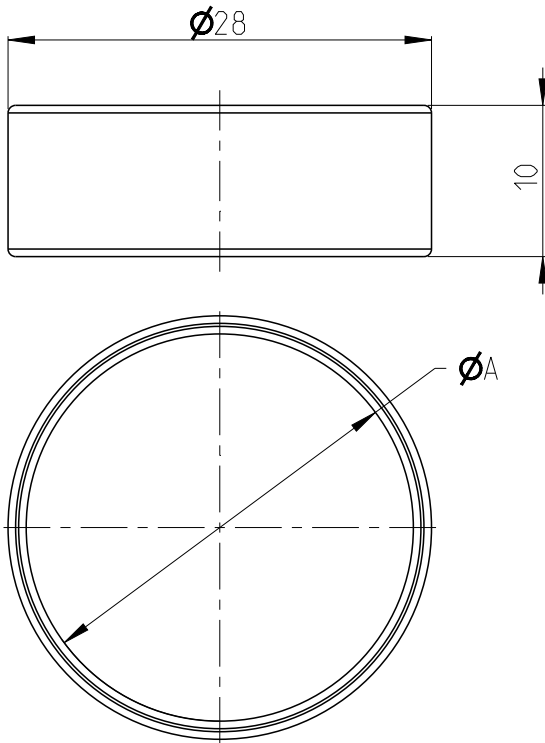
- 1 MATERIAL: COPPER ALLOY
- 2 MATERIAL: STEEL
- 3. BULK PACKAGED

© 2021 TE Connectivity. All Rights Reserved.

2387549-3	CRIMP ANVIL - 120SQ (STANDARD)	1	Ø23.1	22.2	23.0
2387549-2	CRIMP ANVIL - 95SQ (STANDARD)	1	Ø20.4	19.5	20.3
2387549-1	CRIMP ANVIL - 70SQ (STANDARD)	1	Ø17.4	16.7	17.3
PART NO.	DESCRIPTION	MATERIAL	DIA.A	MIN.	MAX.
				CABLE O.D.	

DIMENSIONS: mm	DWN Y.LI	25JUL2023	MATERIAL	1 2	FINISH	
	CHK J.LI	25JUL2023				
TOLERANCES UNLESS OTHERWISE SPECIFIED: ±0.3	APVD Z.ZHOU	25JUL2023				
	0 PLC ± 1 PLC ±0.1 2 PLC ±0.01 3 PLC ±0.001 4 PLC ±0.0001	PRODUCT SPEC	108-160407	SIZE	CAGE CODE	DRAWING NO
ANGLES ±	APPLICATION SPEC	114-160223/160418	A 4	00779	C=2387549	-
	WEIGHT		CUSTOMER DRAWING		SCALE	2:1
					SHEET	1 OF 2
					REV	A4

REVISIONS					
P	LTR	DESCRIPTION	DATE	DWN	APVD
-		SEE SHEET 1	-	-	-



A4

2387549-8	CRIMP ANVIL - 95SQ (HIGH FLEX)		Ø20.0	19.1	19.9
2387549-7	CRIMP ANVIL - 120SQ (STANDARD & HIGH FLEX)		Ø23.1	22.2	23.0
2387549-6	CRIMP ANVIL - 95SQ (STANDARD)		Ø20.4	19.5	20.3
2387549-5	CRIMP ANVIL - 70SQ (STANDARD & HIGH FLEX)		Ø17.4	16.7	17.3
2387549-4	CRIMP ANVIL - 150SQ (HIGH FLEX)		Ø25.6	24.5	25.5
PART NO.	DESCRIPTION	MATERIAL	DIA.A	MIN.	MAX.
				CABLE O.D.	

© 2021 TE Connectivity. All Rights Reserved.

DIMENSIONS: mm	DWN Y.LI 25JUL2023	MATERIAL		FINISH	
TOLERANCES UNLESS OTHERWISE SPECIFIED: ±0.3	CHK J.LI 25JUL2023				
0 PLC ± 1 PLC ±0.1 2 PLC ±0.01 3 PLC ±0.001 4 PLC ±0.0001 ANGLES ±	APVD Z.ZHOU 25JUL2023				
	PRODUCT SPEC 108-160407	NAME CRIMP ANVIL HVP-HD1400			
	APPLICATION SPEC 114-160223/160418	SIZE A 4	CAGE CODE 00779	DRAWING NO C=2387549	RESTRICTED TO -
	WEIGHT	CUSTOMER DRAWING			
		SCALE 2:1	SHEET 2 OF 2	REV A4	