

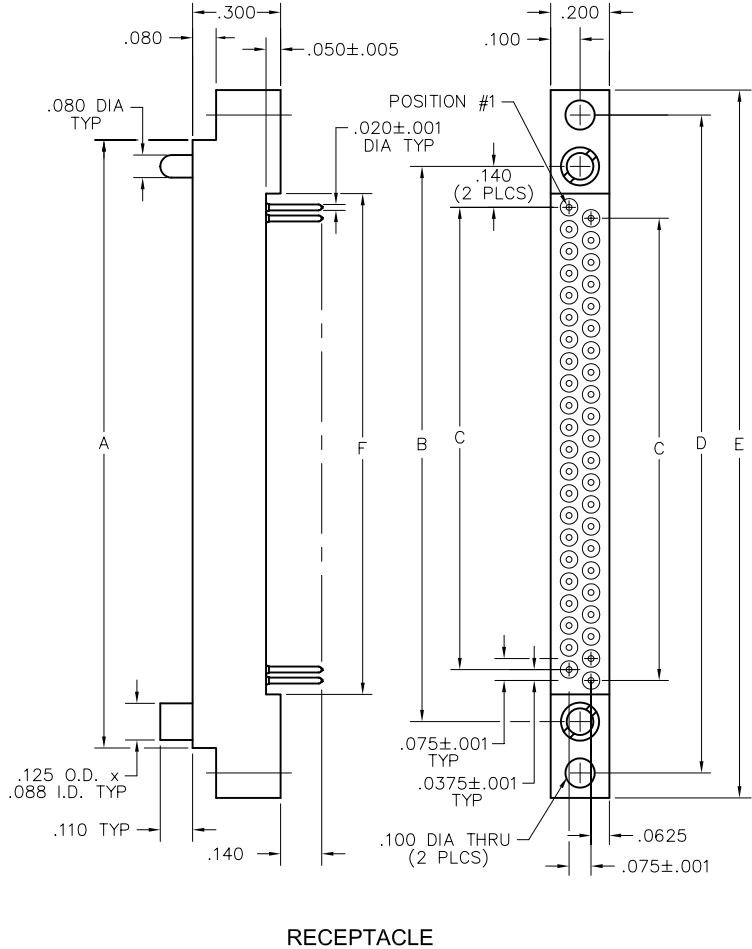
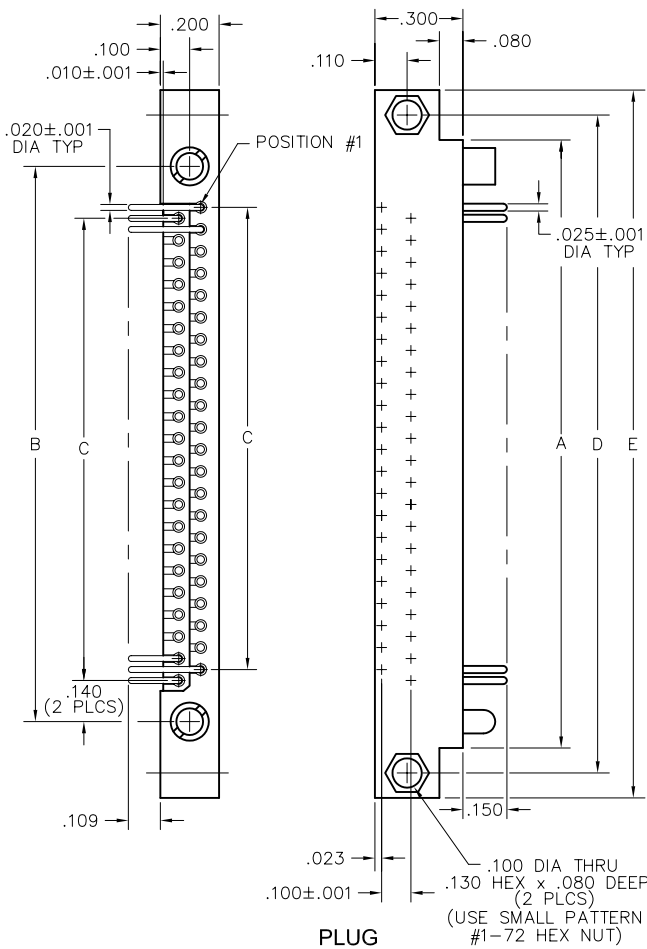
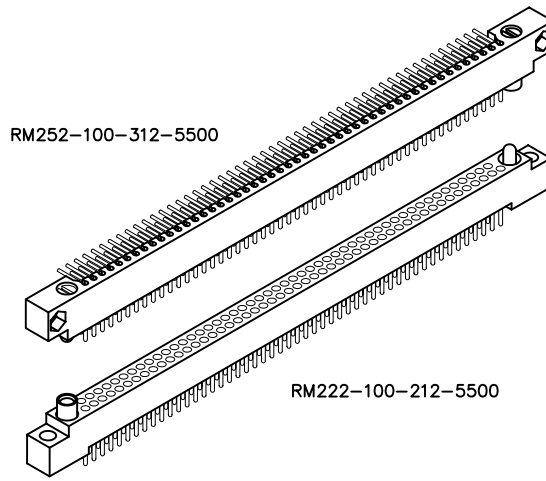


2 · ROW Daughterboard to Motherboard or Chassis

.075"

RM2

10 thru 100 Contacts



PLUG

RECEPTACLE

DIMENSIONS						
SIZE	A	B	C	D	E	F
10	.797	.617	.300	.967	1.137	.432
20	1.172	.992	.675	1.342	1.512	.807
30	1.547	1.367	1.050	1.717	1.887	1.182
40	1.922	1.742	1.425	2.092	2.262	1.557
50	2.297	2.117	1.800	2.467	2.637	1.932
60	2.672	2.492	2.175	2.842	3.012	2.307
70	3.047	2.867	2.550	3.217	3.387	2.682
80	3.422	3.242	2.925	3.592	3.762	3.057
90	3.797	3.617	3.300	3.967	4.137	3.432
100	4.172	3.992	3.675	4.342	4.512	3.807

Mouser Electronics

Authorized Distributor

Click to View Pricing, Inventory, Delivery & Lifecycle Information:

AirBorn:

[RM342-011-581-2900](#) [RM222-100-531-0256](#) [RM452-110-312-9502](#) [RM342-023-571-0256-E53](#) [RM332-104-121-5500](#) [RM422-220-001-0256-558](#) [RM623-100-000-2900-D38](#) [RM252-010-311-5500](#) [RM252-010-321-2900BN](#) [RM332-023-181-0256](#) [RM332-011-181-0256](#) [RM342-011-571-0256-E53](#)