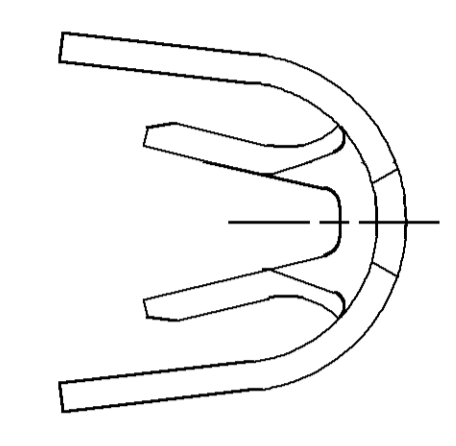
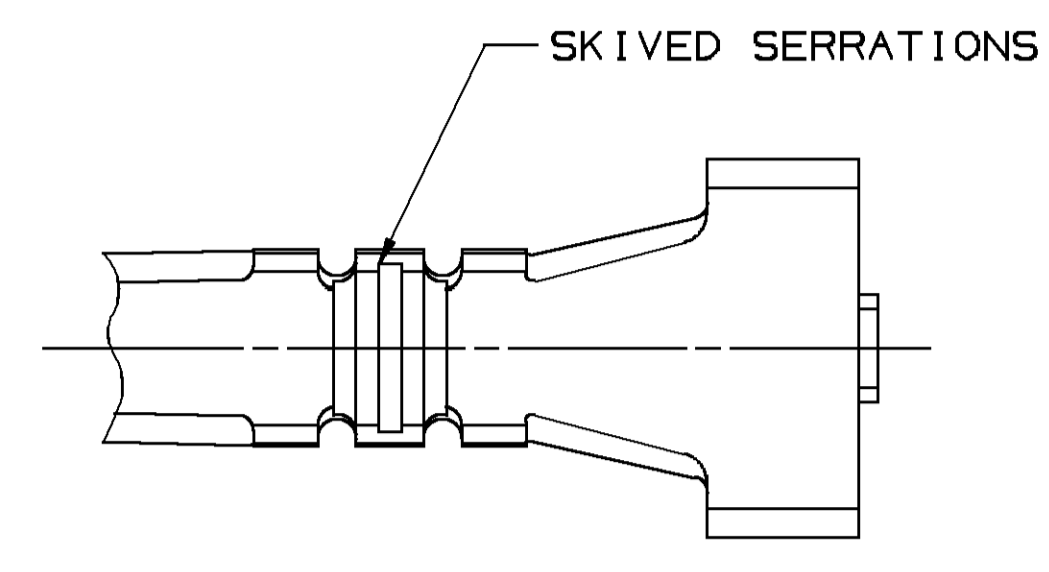
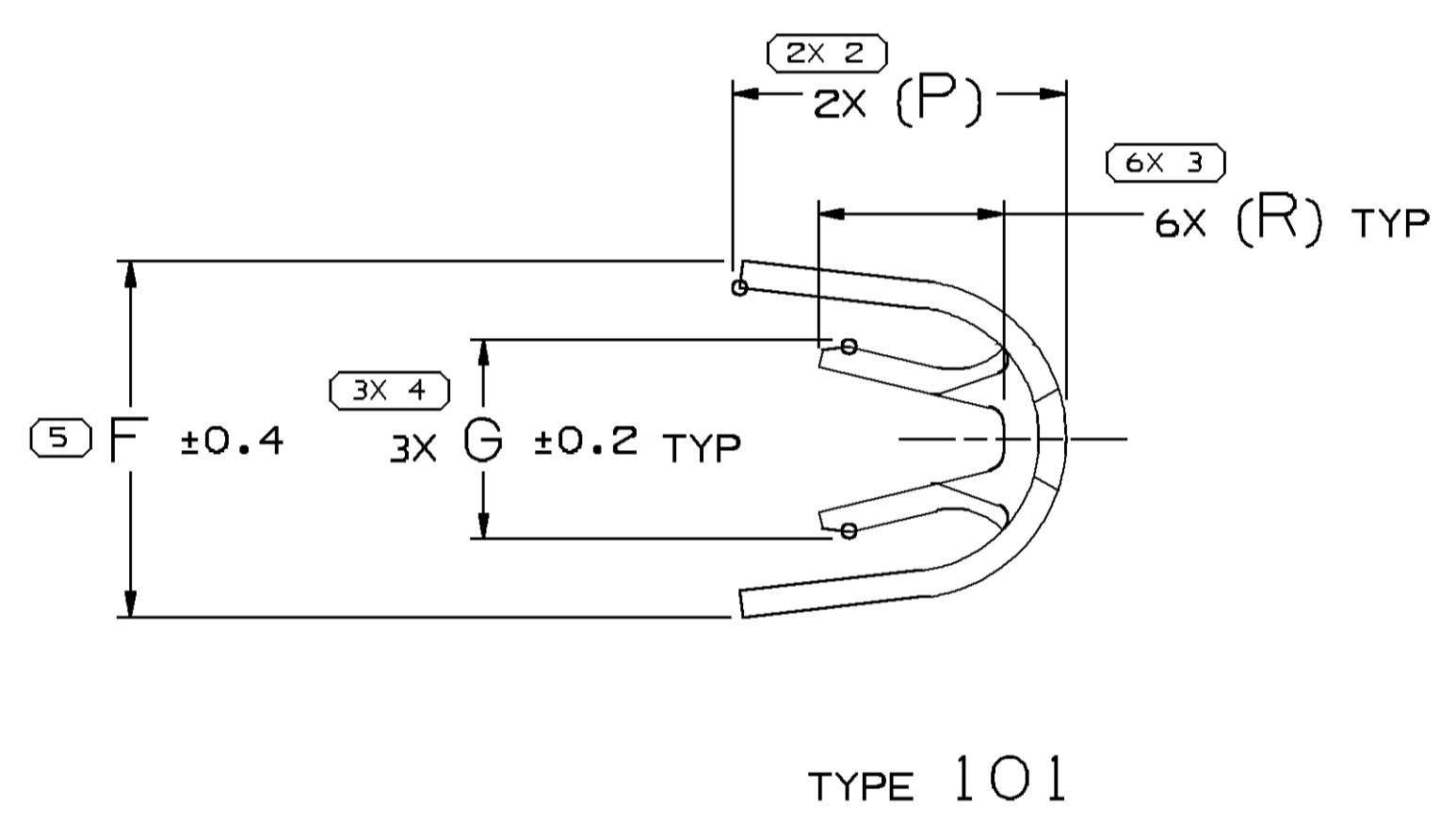
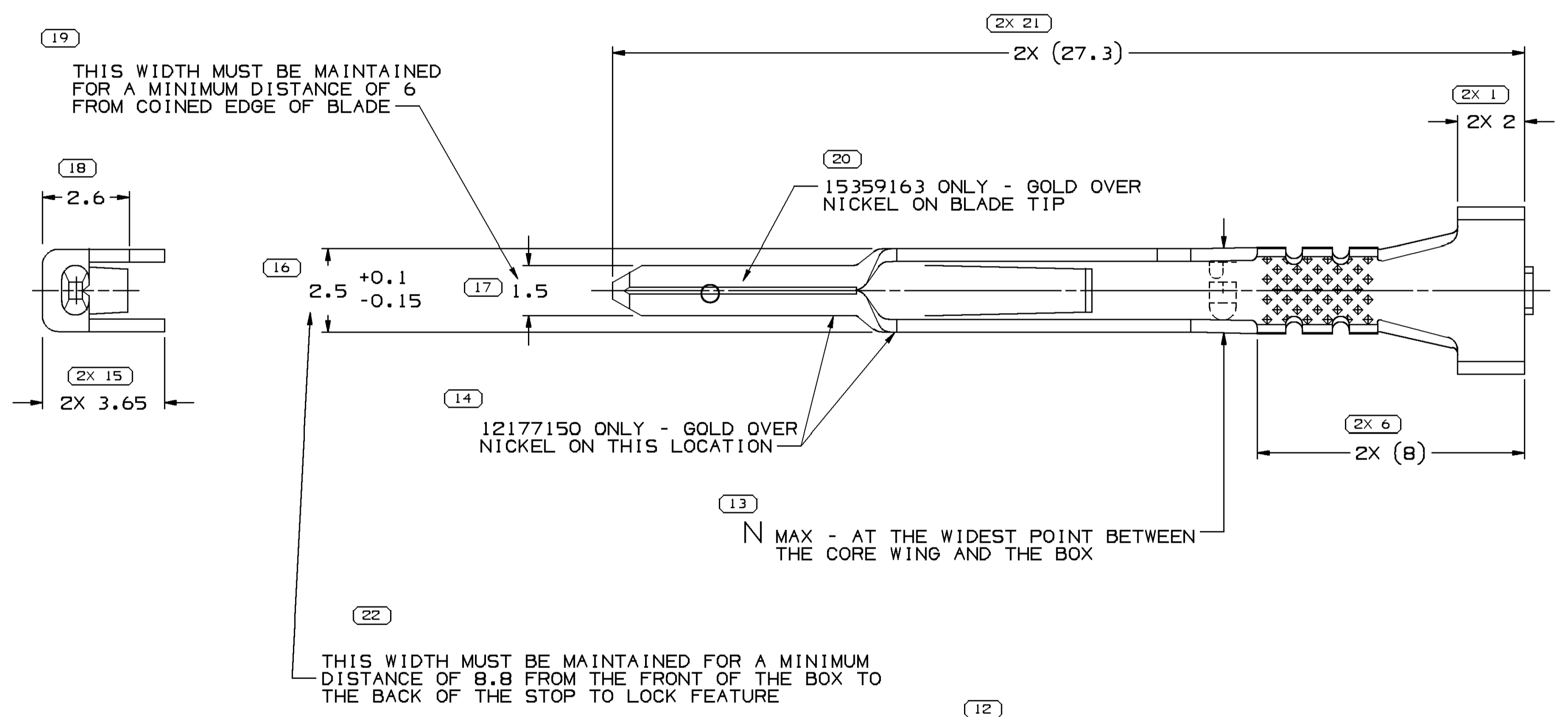
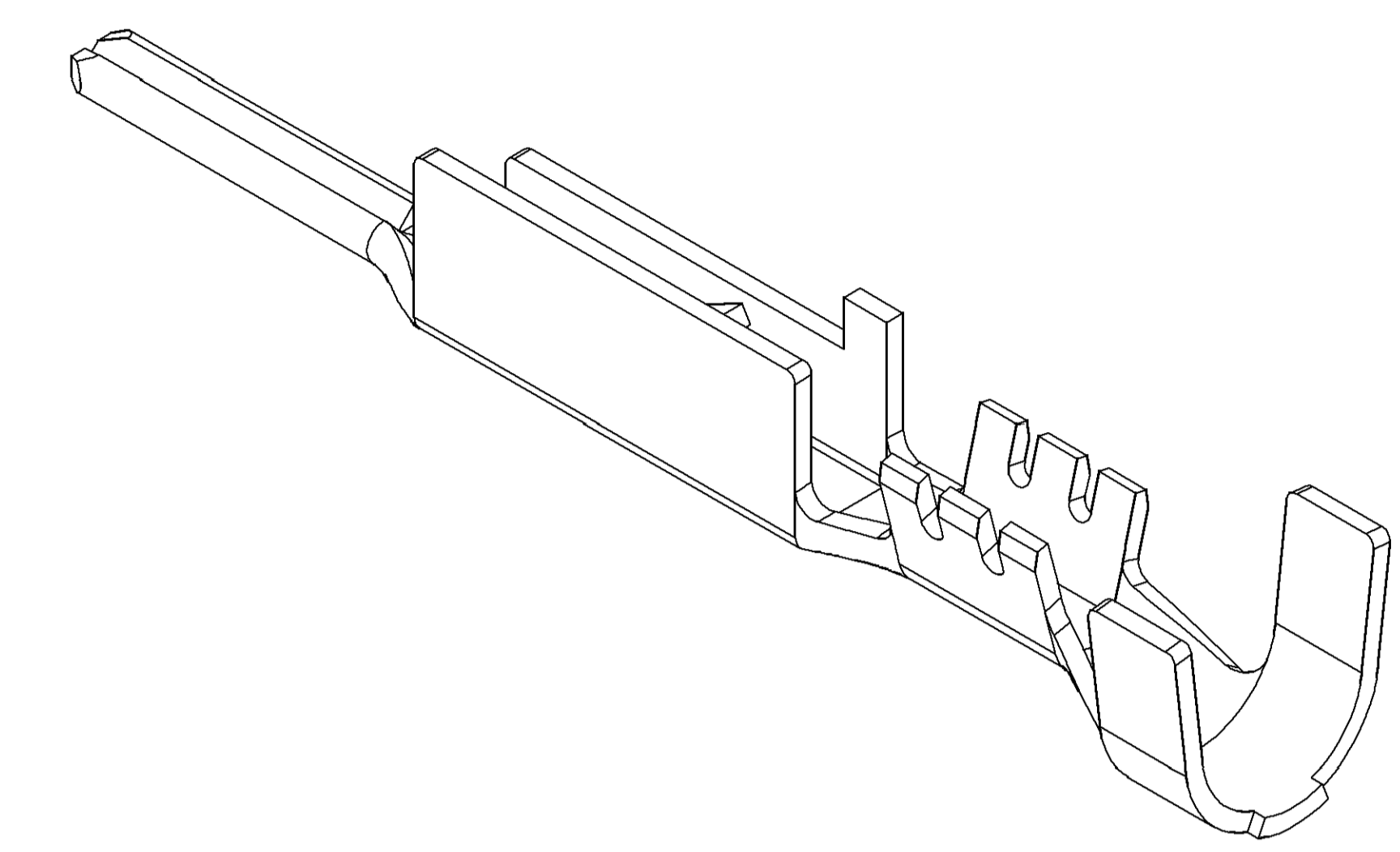


| SYMBOL DEFINITION  |  | TOTAL NO OF INSPECTIONS REQUIRED | MISSING SYMBOLS          |
|--|--|----------------------------------|--------------------------|
| A DIMENSION WITHOUT AN INSPECTION REPORT SYMBOL DOES NOT REQUIRE INSPECTION. IT MAY BE CONTROLLED ON THE INDIVIDUAL COMPONENT DRAWING. |  | 38                               | NO MISSING SYMBOL NUMBER |
|  |  | LAST NO. USED                    | 22                       |

| DATE   | STG | REV | N/P | CHG | ZONE | REVISION HISTORY  | AUTH   | DR  | APV | APV2 |
|--------|-----|-----|-----|-----|------|---|--------|-----|-----|------|
| 10FEO0 | R   | 001 | -   | -   | -    | CLEARED REV COLUMN; 15359163 - RELEASED   | 000005 | JHN | PHC | MDM  |
| 08MY00 | R   | 002 | -   | -   | -    | 15359163 - TERMINAL FORM ID 21 WAS ID 19  | 200183 | FRG | MVA | MDM  |
| 30JN00 | R   | 003 | -   | -   | -    | 15359163 - REV MAT'L SPEC   | 202037 | TLP | TLP | MJD  |
| 15JN05 | R   | 04  | -   | -   | -    | CORRECTED DIM LOCATION FOR DIM 2.6  | 269209 | MJM | MJM | MKM  |
| 08DE06 | R   | 05  | -   | -   | -    | REVISED MATERIAL SPEC-12191888,12191887<br>12077628,12045773 WAS P3607402 AND<br>12077150 WAS PM003636      | 287631 | MM  | MM  | MKM  |
| 23NO07 | R   | 06  | -   | -   | -    | 13654490 - RELEASED   | 402515 | EFS | JVM | ACB  |
| 25MR08 | R   | 07  | -   | -   | -    | ALL ACTIVE PARTS DIM 2X 4 MAX<br>EXCLUDING COIN WAS 2X 3.6 +/- 0.15   | 404175 | ARV | PYP | ARV  |
| 22JA09 | R   | 08  | -   | -   | -    | ALL ACTIVE PARTS - DIM 2.5 +/- .15 WAS<br>+/- .10, ADDED NOTE TO DIM 2.5 +/- .15<br>& UPDATED MAT'L CALLOUT | 407116 | CBG | SCR | BEM  |
| 31JL12 | R   | 09  | -   | -   | -    | 12045773, 12077628, 12191887 &<br>12191888 - UPDATED PDM ATTRIBUTES   | 419104 | JGM | JGM | MAA  |
| 07AU12 | R   | 10  | -   | -   | -    | 13654490, 15359163 AND 12177150 UPDATED<br>MAT'L CALLOUT  | 419193 | DCH | JVM | MAA  |



TYPE 102  
SAME AS TYPE 101  
EXCEPT AS SHOWN



TYPE 101

NOTES

- UNLESS OTHERWISE SPECIFIED AND/OR INDICATED:  
DIMENSIONS ARE TO FACE OF VIEW SHOWN AND AUTOMATICALLY ROUNDED BY COMPUTER FOR INSPECTION (SEE MATH MODEL FOR PRECISE DIMENSIONS). FOR ALL OTHER DIMENSIONS NOT SHOWN BUT REQUIRED FOR TOOL BUILD, SEE MATH MODEL FOR PRECISE TOOL PATH DATA.
- REFERENCE MATING COMPONENTS OR EQUIVALENT:  
TERMINAL 12048074
- PART TO BE USED WITH CABLE SEAL

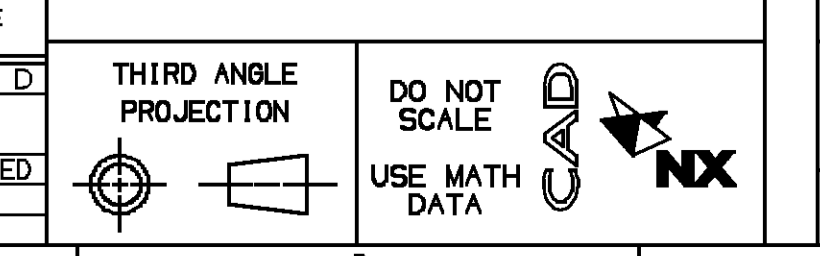
| PART NO  | REV | N/P | MAT'L SIZE    | UNPLATED | MAT'L SPEC   | PART NO  | REV | N/P | MAT'L SIZE               | PLATED     | MAT'L SPEC  | CABLE DIA   | TYPE | F   | G    | N    | R   | P   |
|----------|-----|-----|---------------|----------|--------------|----------|-----|-----|--------------------------|------------|-------------|-------------|------|-----|------|------|-----|-----|
| 12092703 | B2  | -   | 0.381 X 35.71 |          | COPPER ALLOY | 12077628 | C5  | -   | 0.35 - 0.5               | 21         | 2.4 - 1.47  | 101         | 5.9  | 2.4 | 2.55 | 2.1  | 4.7 |     |
| 12092668 | C2  | -   | 0.381 X 35.71 |          | COPPER ALLOY | 12058408 | C   | -   | 0.35                     | 22         | 1.63 - 1.47 | 102         | 5.9  | 2.2 | 2.6  | 1.9  | 4.7 |     |
|          |     |     |               |          |              | 13654490 | O1  | AC  | GOLD PLATED COPPER ALLOY | 0.5 - 0.8  | 19          | 2.78 - 1.69 | 101  | 5   | 2.6  | 2.55 | 2.6 | 4.6 |
|          |     |     |               |          |              | 15359163 | O2  | AE  | GOLD PLATED COPPER ALLOY | 0.35 - 0.5 | 21          | 2.4 - 1.47  | 101  | 5.9 | 2.4  | 2.55 | 2.1 | 4.7 |
|          |     |     |               |          |              | 12191888 | C6  | -   | COPPER ALLOY             | 0.35 - 0.5 | 21          | 2.4 - 1.47  | 101  | 5.9 | 2.4  | 2.55 | 2.1 | 4.7 |
|          |     |     |               |          |              | 12191887 | C6  | -   | COPPER ALLOY             | 0.5 - 0.8  | 19          | 2.78 - 1.69 | 101  | 5   | 2.6  | 2.55 | 2.6 | 4.6 |
|          |     |     |               |          |              | 12177150 | C5  | -   | GOLD PLATED COPPER ALLOY | 0.5 - 0.8  | 19          | 2.78 - 1.69 | 101  | 5   | 2.6  | 2.55 | 2.6 | 4.6 |

DELPHI  
DELPHI PACKARD ELECTRICAL/ELECTRONIC ARCHITECTURE  
WARREN, OH  
COPYRIGHT 1996 DELPHI CORPORATION AND/OR ITS AFFILIATES.  
ALL RIGHTS RESERVED.  
THIS DRAWING IS THE PROPERTY OF DELPHI CORPORATION.  
THE REPRODUCTION, DISTRIBUTION AND UTILIZATION  
OF THIS DOCUMENT OR ITS RELATED CAD DATA  
AS WELL AS COMMUNICATION OF ANY CONTENT TO OTHERS,  
WITHOUT EXPRESS AUTHORIZATION IS PROHIBITED.

DATE: 04/26/96  
OR: L. R. MOYSEN M  
APV02: W. TURNBULL  
APV03: C. SCHAEFFER  
APV04:  
SUBSTANCES OF CONCERN AND RECYCLED CONTENT PER DELPHI 10949001

DRAWING NUMBER: TAXI TERM M/M/P 150 SEALED  
DRAWING NUMBER: 12089630  
SIZE: A0  
SCALE: 10:1  
FRAME NO: 1 OF 1  
SHEET NO: 1 OF 1  
STG: R  
N/P: 10

|    |  |          |
|----|--|----------|
| 17 | PROCESS SENSITIVE DIMENSION  |          |
|    | DIMENSIONS ENCLOSED IN ( ) INDICATE REFERENCE DIMENSIONS AND NO TOLERANCE LIMITS ARE ESTABLISHED |          |
|    | OTHER DIMENSIONAL RANGE (MM)   | CHART CD |
|    | FROM 0 TO 12   | > 12     |
|    | TOLERANCE UNLESS OTHERWISE SPECIFIED   |          |
|    | ±0.1   | ±0.2     |
|    | ANGULAR TOLERANCE ±2°  |          |



# Mouser Electronics

Authorized Distributor

Click to View Pricing, Inventory, Delivery & Lifecycle Information:

[Aptiv:](#)

[15359163](#)