

KombiSIGN 71 / Terminal Element

Terminal element RM 12-230VAC/DC BK



| | |
|------------------|---------------------|
| Part No.: | 640.810.00 |
| Series: | KombiSIGN 71 |



MECHANICAL DATA

| | |
|------------------------------|-----------------------------|
| Height | 36 mm |
| Diameter | 70 mm |
| Materials | PA-GF PC |
| Housing colour | Black |
| Protection category | IP65 |
| Connection | Spring-type terminal |
| cross-sectional area minimum | 0,25mm ² / 24AWG |
| cross-sectional area maximum | 1,50mm ² / 16AWG |
| Cable entry | Through hole |
| Cable entry maximum | d = 11 mm |
| Type of fixing | Tube mounting |
| Working temperature minimum | -20°C |
| Working temperature maximum | +50°C |
| Weight with packaging | 98 g |
| Product weight | 84 g |

ELECTRICAL DATA

| | |
|------------------------|--|
| Operating voltage | 12-230V |
| Operating voltage type | AC/DC |
| Protection class | Protection class 2 |
| Pollution degree | 3 |
| Overvoltage category | II |
| Isolation voltage | U _i = 250V; U _{imp} = 2.500V |

APPROVAL DATA

| | |
|-------------------------------|-----------------------|
| Conforms with CE | Yes |
| Conforms with RoHS directive | Yes |
| WEEE | Yes |
| Conforms with ATEX-directive | No |
| Conforms with CCC | Yes |
| Conforms with UL | cULus |
| UL Type Rating | Type 12 |
| Conforms with FCC | No |
| Conforms with IC | No |
| EAC certificate available | Yes |
| Conforms with UKCA (Importer) | Yes (WERMA (UK) Ltd.) |
| Conforms with CMIM | No |
| Conforms with AS-I | No |



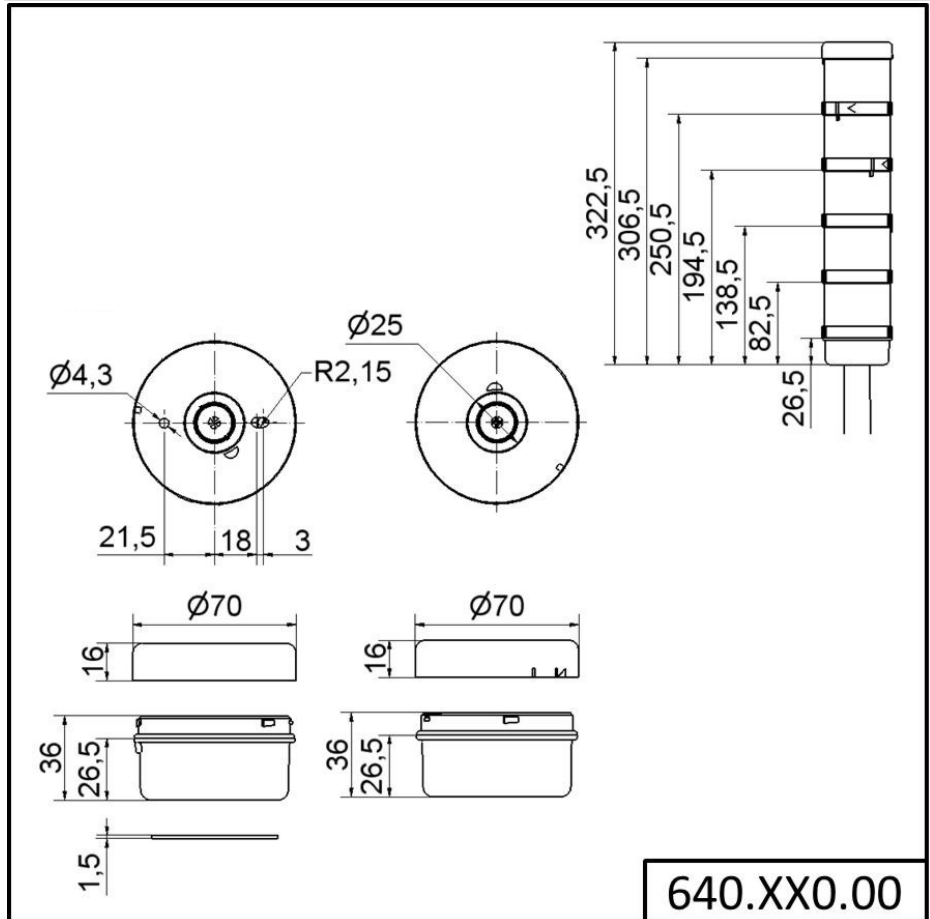
For additional installation and mounting information, refer to the appropriate user guide at www.werma.com. This printed copy is for information only and is subject to alteration.

KombiSIGN 71 / Terminal Element

Terminal element RM 12-230VAC/DC BK

| | |
|-----------------------|----|
| ICAO Certification | No |
| Conforms with DNV | No |
| Conforms with RoHS CN | No |
| Conforms with VdS | No |

DRAWING



! For additional installation and mounting information, refer to the appropriate user guide at www.werma.com. This printed copy is for information only and is subject to alteration.