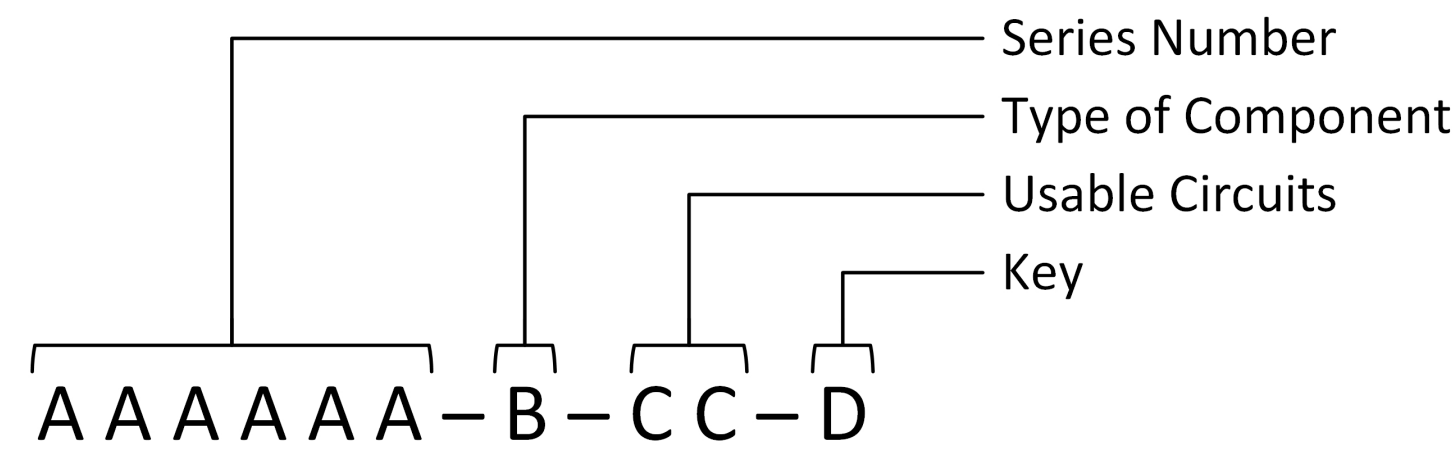


CONNTAK50 DUAL ROW VERTICAL SMT HEADERS

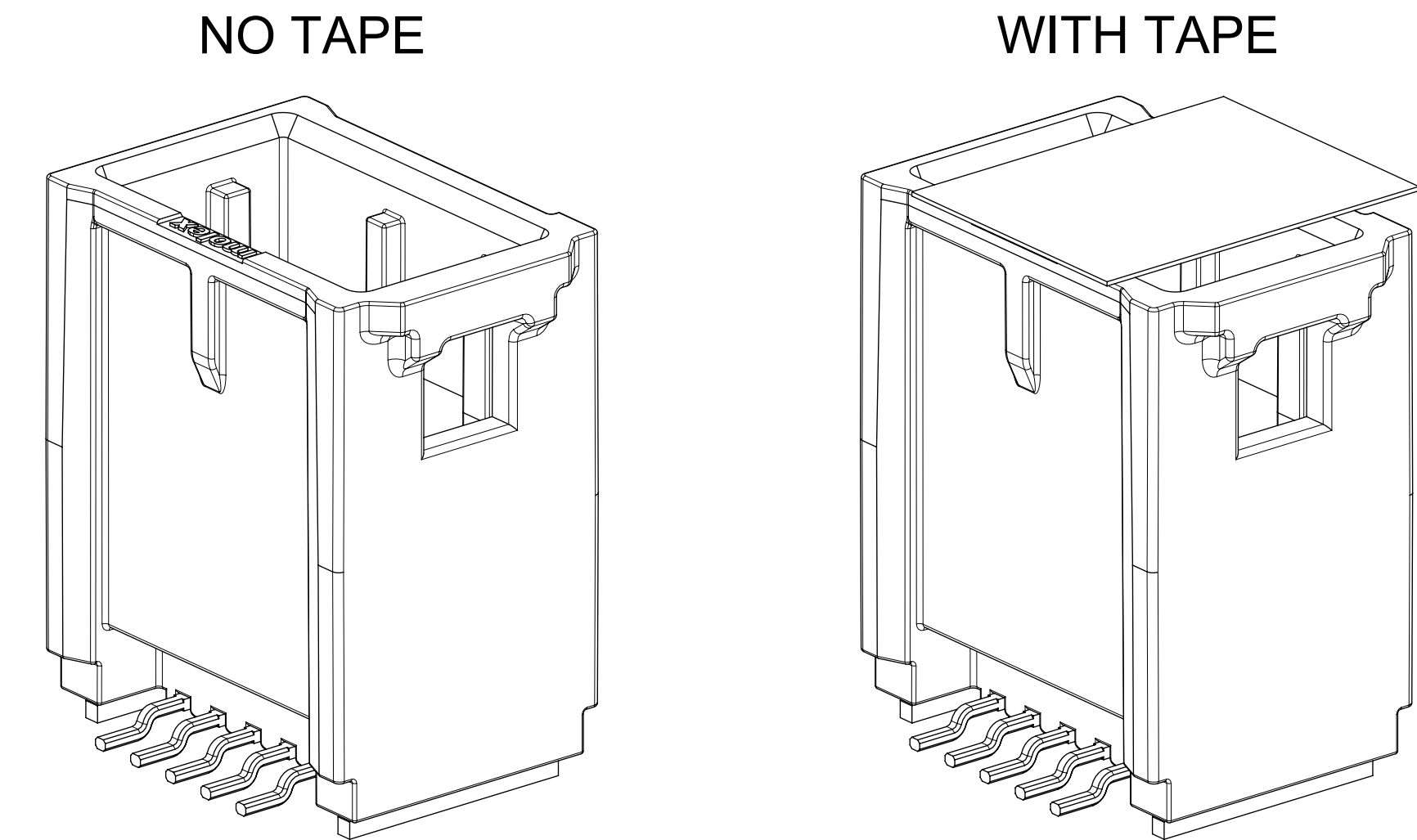
10CKT HEADER:



PART NUMBER EXAMPLE:

PN 2069573101
206957 - SERIES NUMBER: DUAL ROW VERTICAL SMT HEADER - STANDARD PERFORMANCE
3 - TYPE OF COMPONENT: STANDARD MATERIAL; FULLY POPULATED, WITH TAPE
10 - 10 USABLE CIRCUITS
1 - KEY A

FINAL PART: 10CKT DUAL ROW VERTICAL STANDARD PERFORMANCE SMT HEADER - KEY A



	SERIES NUMBERS (AAAAAA)	TYPE OF COMPONENT (B)	USABLE CIRCUITS (CC)	KEY (D)
MATING COMPONENT	205825 - RECEPTACLE	2 - STD MATL; FULLY POPULATED; NO TAPE 3 - STD MATL; FULLY POPULATED; WITH TAPE 4 - STD MATL; LAST 2 CKTS UNPOPULATED; NO TAPE 5 - STD MATL; LAST 2 CKTS UNPOPULATED; WITH TAPE	02 - 2 Circuits ... 22 - 22 Circuits	1 - KEY A 2 - KEY B 3 - KEY C 4 - KEY D
ON DRAWING	206957 - DR HB VERTICAL STANDARD PERFORMANCE SMT HEADER 208036 - DR V0 VERTICAL STANDARD PERFORMANCE SMT HEADER			
OTHER	206958 - DR RIGHT ANGLE SMT HEADER - STANDARD PERF.			

INTERFACE	INTERFACE CKT SIZE	STANDARD HB MATERIAL SMT HEADER										TOOLING STATUS
		FULLY POPULATED					2 CKTS UNPOPULATED					
		NO TAPE		WITH TAPE			NO TAPE		WITH TAPE			
		PART NUMBER	USABLE CKTS	PART NUMBER	USABLE CKTS	PART NUMBER	USABLE CKTS	PART NUMBER	USABLE CKTS	PART NUMBER	USABLE CKTS	AVAILABLE
	10	A	2069572101	10	2069573101	10	2069574081	8	2069575081	8		
		B	2069572102	10	2069573102	10	2069574082	8	2069575082	8		
		C	2069572103	10	2069573103	10	2069574083	8	2069575083	8		
		D	2069572104	10	2069573104	10	2069574084	8	2069575084	8		

INTERFACE	INTERFACE CKT SIZE	V0 MATERIAL SMT HEADER										TOOLING STATUS
		FULLY POPULATED					2 CKTS UNPOPULATED					
		NO TAPE		WITH TAPE			NO TAPE		WITH TAPE			
		PART NUMBER	USABLE CKTS	PART NUMBER	USABLE CKTS	PART NUMBER	USABLE CKTS	PART NUMBER	USABLE CKTS	PART NUMBER	USABLE CKTS	INQUIRE FOR AVAILABILITY
	4	A	2080362041	4	2080363041	4	2080364021	2	2080365021	2		
		B	2080362042	4	2080363042	4	2080364022	2	2080365022	2		
		C	2080362043	4	2080363043	4	2080364023	2	2080365023	2		
		D	2080362044	4	2080363044	4	2080364024	2	2080365024	2		
	6	A	2080362061	6	2080363061	6	2080364041	4	2080365041	4	INQUIRE FOR AVAILABILITY	
		B	2080362062	6	2080363062	6	2080364042	4	2080365042	4		
		C	2080362063	6	2080363063	6	2080364043	4	2080365043	4		
		D	2080362064	6	2080363064	6	2080364044	4	2080365044	4		
	8	A	2080362081	8	2080363081	8	2080364061	6	2080365061	6	INQUIRE FOR AVAILABILITY	
		B	2080362082	8	2080363082	8	2080364062	6	2080365062	6		
		C	2080362083	8	2080363083	8	2080364063	6	2080365063	6		
		D	2080362084	8	2080363084	8	2080364064	6	2080365064	6		
	10	A	2080362101	10	2080363101	10	2080364081	8	2080365081	8	INQUIRE FOR AVAILABILITY	
		B	2080362102	10	2080363102	10	2080364082	8	2080365082	8		
		C	2080362103	10	2080363103	10	2080364083	8	2080365083	8		
		D	2080362104	10	2080363104	10	2080364084	8	2080365084	8		
	12	A	2080362121	12	2080363121	12	2080364101	10	2080365101	10	INQUIRE FOR AVAILABILITY	
		B	2080362122	12	2080363122	12	2080364102	10	2080365102	10		
		C	2080362123	12	2080363123	12	2080364103	10	2080365103	10		
		D	2080362124	12	2080363124	12	2080364104	10	2080365104	10		
	14	A	2080362141	14	2080363141	14	2080364121	12	2080365121	12	INQUIRE FOR AVAILABILITY	
		B	2080362142	14	2080363142	14	2080364122	12	2080365122	12		
		C	2080362143	14	2080363143	14	2080364123	12	2080365123	12		
		D	2080362144	14	2080363144	14	2080364124	12	2080365124	12		
	16	A	2080362161	16	2080363161	16	2080364141	14	2080365141	14	INQUIRE FOR AVAILABILITY	
		B	2080362162	16	2080363162	16	2080364142	14	2080365142	14		
		C	2080362163	16	2080363163	16	2080364143	14	2080365143	14		
		D	2080362164	16	2080363164	16	2080364144	14	2080365144	14		
	18	A	2080362181	18	2080363181	18	2080364161	16	2080365161	16	INQUIRE FOR AVAILABILITY	
		B	2080362182	18	2080363182	18	2080364162	16	2080365162	16		
		C	2080362183	18	2080363183	18	2080364163	16	2080365163	16		
		D	2080362184	18	2080363184	18	2080364164	16	2080365164	16		
	20	A	2080362201	20	2080363201	20	2080364181	18	2080365181	18	INQUIRE FOR AVAILABILITY	
		B	2080362202	20	2080363202	20	2080364182	18	2080365182	18		
		C	2080362203	20	2080363203	20	2080364183	18	2080365183	18		
		D	2080362204	20	2080363204	20	2080364184	18	2080365184	18		
	22	A	2080362221	22	2080363221	22	2080364201	20	2080365201	20	INQUIRE FOR AVAILABILITY	
		B	2080362222	22	2080363222	22	2080364202	20	2080365202	20		
		C	2080362223	22	2080363223	22	2080364203	20	2080365203	20		
		D	2080362224	22	2080363224	22	2080364204	20	2080365204	20		

NOTES:

VALID UNLESS OTHERWISE SPECIFIED

- GENERAL:
 - APPLICATION SPECIFICATION SEE: 2046310000-AS
 - PRODUCT SPECIFICATION SEE: 2046310000-PS
 - PACKAGING SPECIFICATION PER MOLEX DRAWING: 2069579000
 - PACKAGING IS TAPE & REEL
 - COMPATIBLE WITH STANDARD AK INTERFACE C-114-94000-20 REV A1
 - CONFORMS TO MOLEX AK INTERFACE 2046310001 REV A
 - MOLEX AK INTERFACE IS PART OF PPAP
 - CIRCUITS DO NOT CONTAIN PINS IN "2 CKTS UNPOPULATED" HEADER VERSION
 - TRACEABILITY TO BE MARKED IN AREA SHOWN. MARK IS CODED AS FOLLOWS:
 - ROW 1 ("XXXXXX"):
 - "XXXXXX" IS MOLEX SMT HEADER SERIES NUMBER
 - ROW 2 ("YYYY PZ"):
 - "YYYY" IS PART SUFFIX (LAST 4 DIGITS OF PART NUMBER)
 - "P" IS PERFORMANCE MARK. SEE BOM TABLE FOR MARKING CODE
 - "Z" IS ASSEMBLY LINE NUMBER
 - ROW 3 ("HHDDYY"):
 - 1ST & 2ND DIGITS ("HH"): HOUR OF ASSEMBLY (24 HOUR CLOCK)
 - 3RD THRU 5TH DIGITS ("DDD"): JULIAN DATE (EXAMPLE: FEBRUARY 3RD -> "034")
 - 6TH & 7TH DIGITS ("YY"): LAST 2 DIGITS OF CALENDAR YEAR
- DESIGN - MATERIALS:
 - SHROUD (PLASTIC HOUSING): SEE BOM
 - PINS:
 - STANDARD PERFORMANCE PINS:
 - BASE MATERIAL: C26000 BRASS
 - UNDERPLATING (CONTACT REGION): NICKEL 1.0 - 1.8 µm
 - OVERPLATING (CONTACT REGION): MATTE TIN 1.0 - 3.0 µm
- DESIGN - GEOMETRY:
 - GEOMETRIC DIMENSIONS AND TOLERANCES PER ASME Y14.5M-2009

C3	UPDATED: VIEW ON PG 1 FOR PICKUP TAPE; BOM TABLES FOR V0 & HB MATERIAL; NOTE 2.1; POL B COLOR FROM GREY TO NATURAL
C2	UPDATED: DIM 7 TOLERANCE
C1	UPDATED: DIM 10

INSPECTION BALLOON LOG		C ADDED: DATUM G; DIMENSIONAL INFO FOR ALL CIRCUIT SIZES; TRACEABILITY MARKING INFO; NOTE REFERENCING INTERFACE DRAWING; SOLDER NAIL REFERENCE DIMS; NEW NOTES 1.4, 1.5, 1.6, 1.7; NO CAP PART NUMBERS UPDATED: CHANGED CAP / NO CAP PART NUMBERS; PCB LAYOUT; PAGE 2 LAYOUT; NOTE 2.2 FORMAT; DIMENSION NUMBERS REMOVED: SEVERAL DIMS; DATUM A, B, & C CALLOUTS (SEE INTERFACE DRAWING); DATUM D, E, & F; OLD NOTES 1.4, 1.5, 1.6, 1.7, 3.1, 3.3, 3.4, 3.5, 3.6, 3.7; TUBE PART NUMBERS ADDED BASE MATERIAL IN SECTION 2.2; ADDED BALLON NUMBERS 1-13; UPDATED VIEW FOR LATCH IMPROVEMENT ON 10CKT; UPDATED NOTES 1.1, 1.2, & 1.3
PER DRAWING REVISION: C3	TOTAL BALLOONS: 11	
ADDED BALLOON NUMBERS:	B1	
REMOVED BALLOON NUMBERS:	REV DESCRIPTION	
THIS DRAWING CONTAINS INFORMATION THAT IS PROPRIETARY TO MOLEX ELECTRONIC TECHNOLOGIES, LLC AND SHOULD NOT BE USED WITHOUT WRITTEN PERMISSION		
DIMENSION UNITS	SCALE	CURRENT REV DESC:
mm	5:1	
GENERAL TOLERANCES (UNLESS SPECIFIED)		
ANGULAR TOL	±	°
4 PLACES	±	
3 PLACES	±	
2 PLACES	±	
1 PLACE	±	
0 PLACES	±	
DRAFT WHERE APPLICABLE MUST REMAIN WITHIN DIMENSIONS	THIRD ANGLE PROJECTION	DRAWING
		D-SIZE
		SERIES
		MATERIAL NUMBER
		CUSTOMER
		SHEET NUMBER
DOCUMENT NUMBER	DOC TYPE	DOC PART
2057260003	PSD	000
REVISION		
C3		



CONNTAK50 DR VERTICAL SMT HEADER

PRODUCT CUSTOMER DRAWING

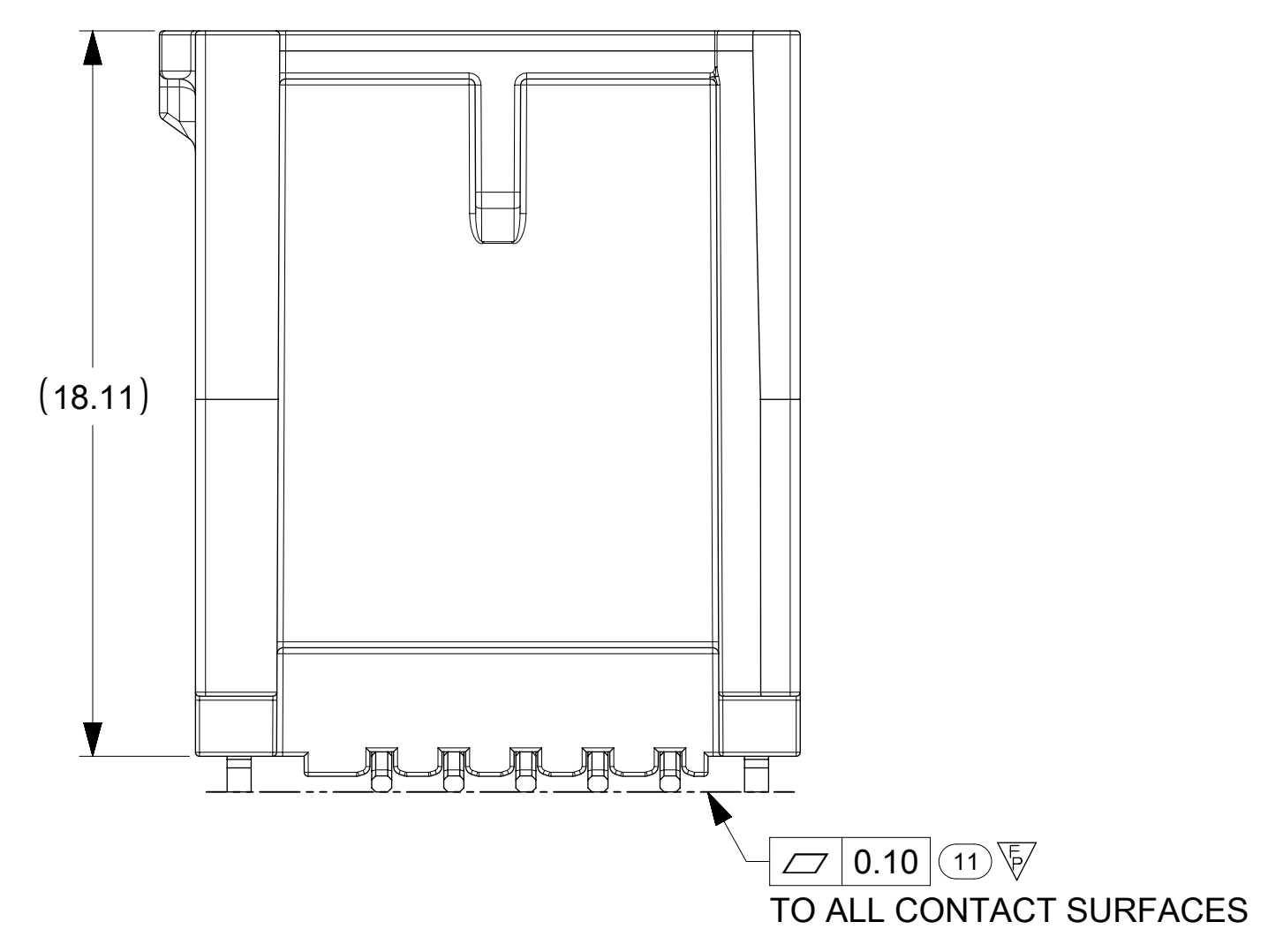
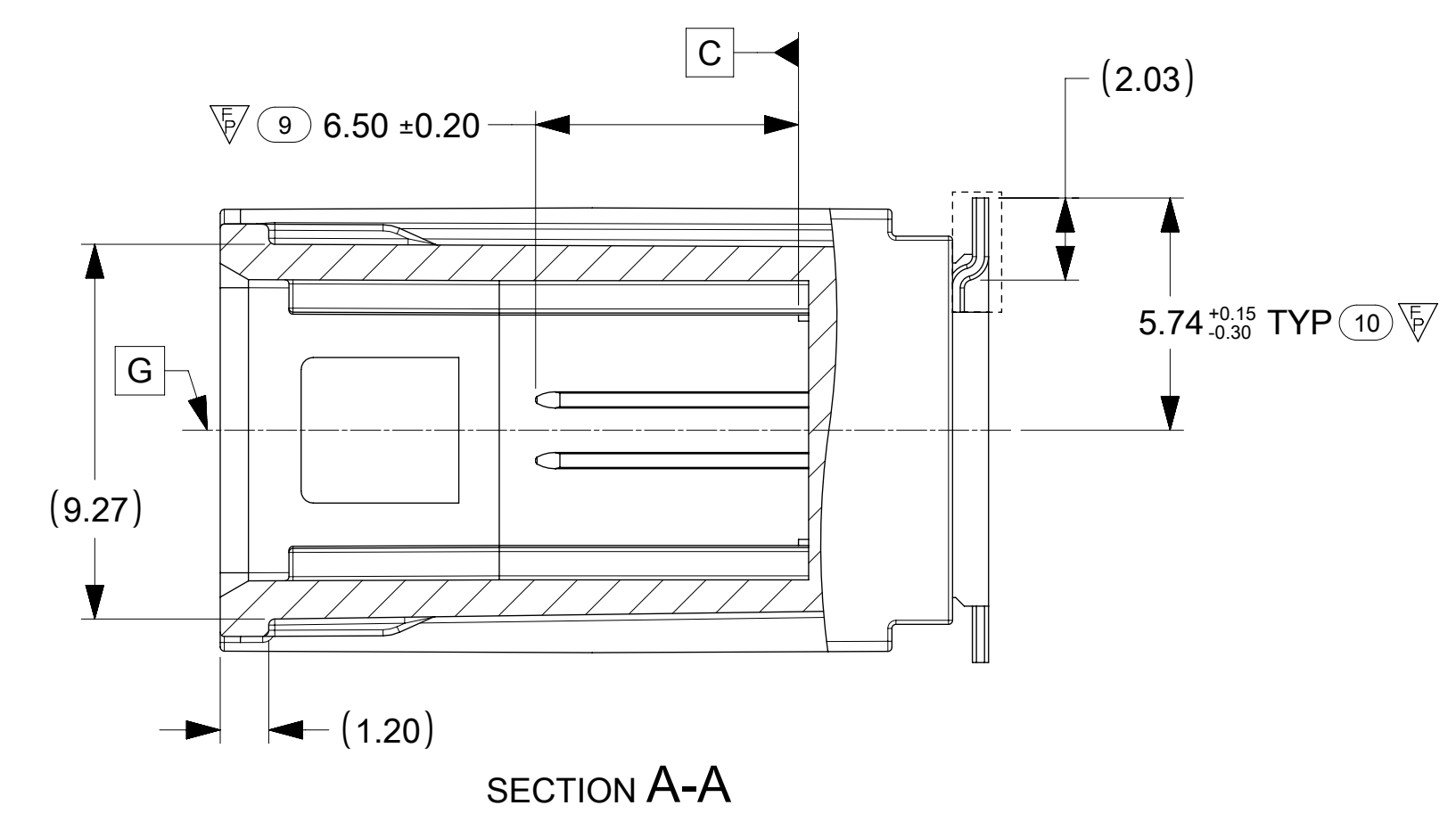
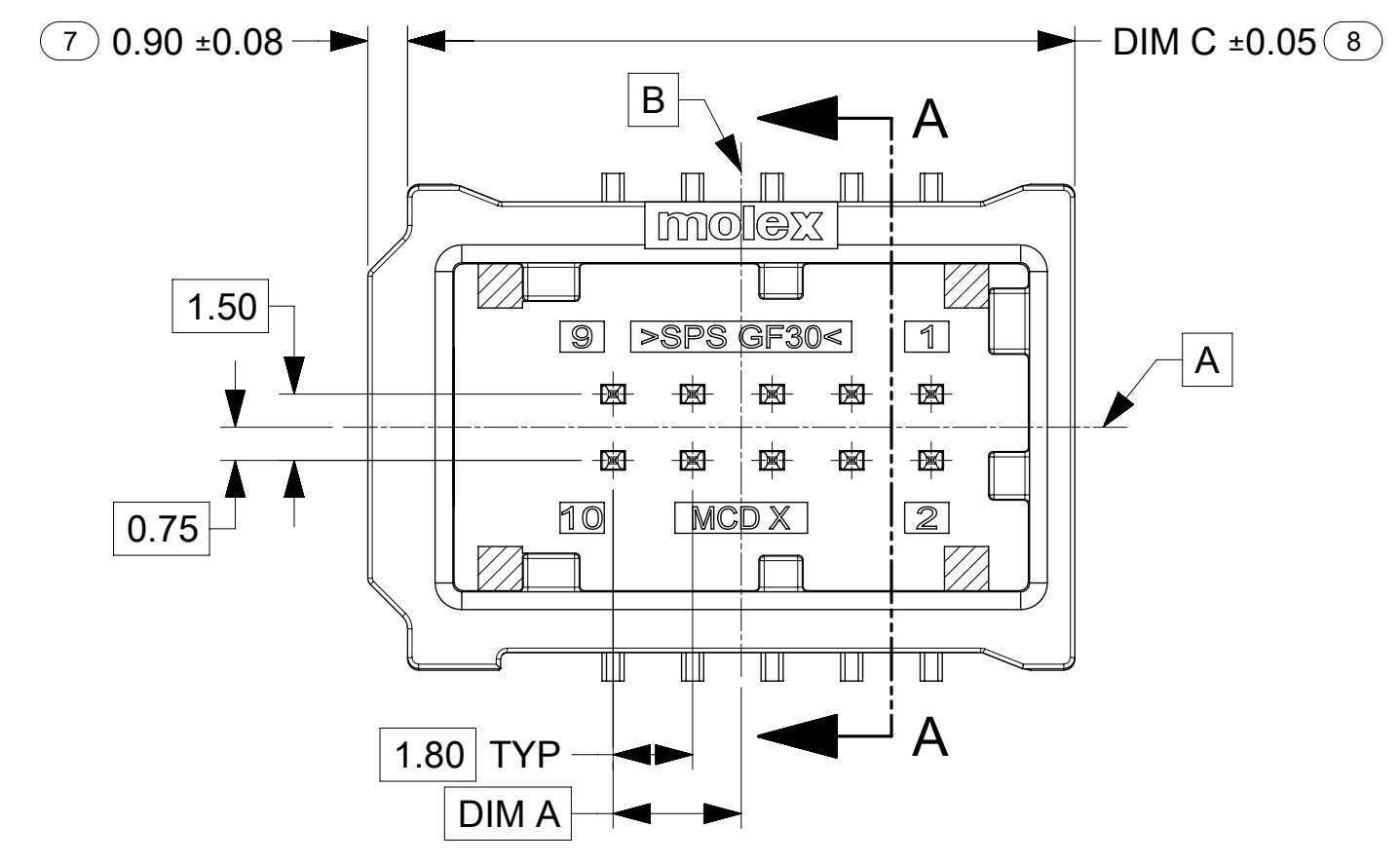
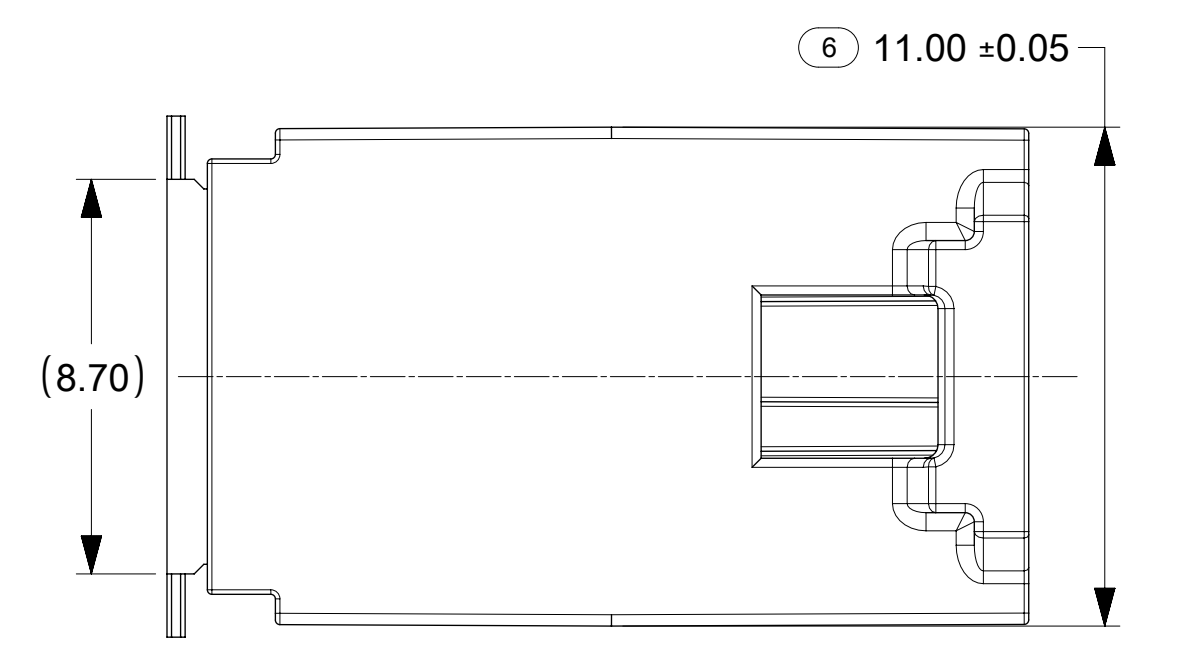
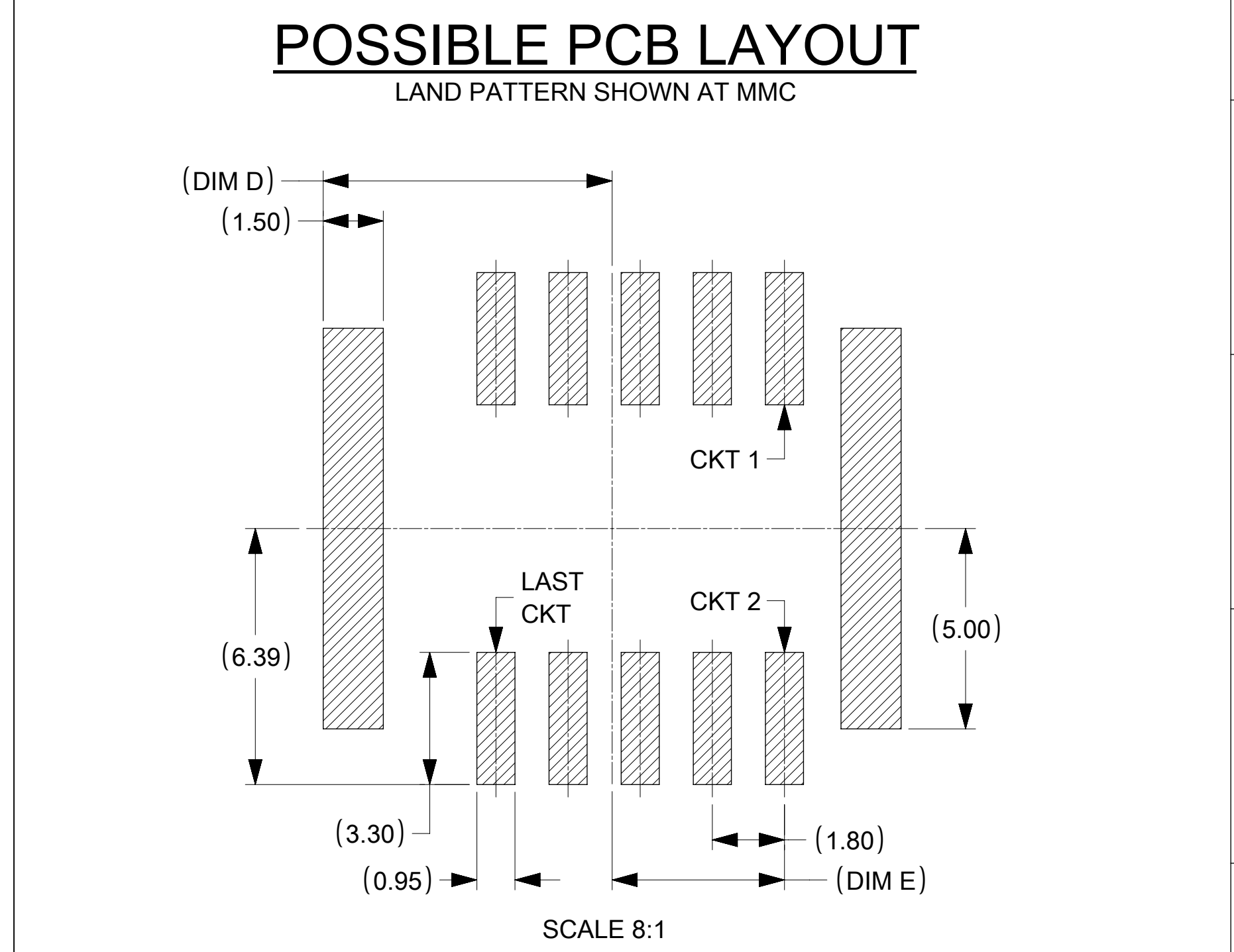
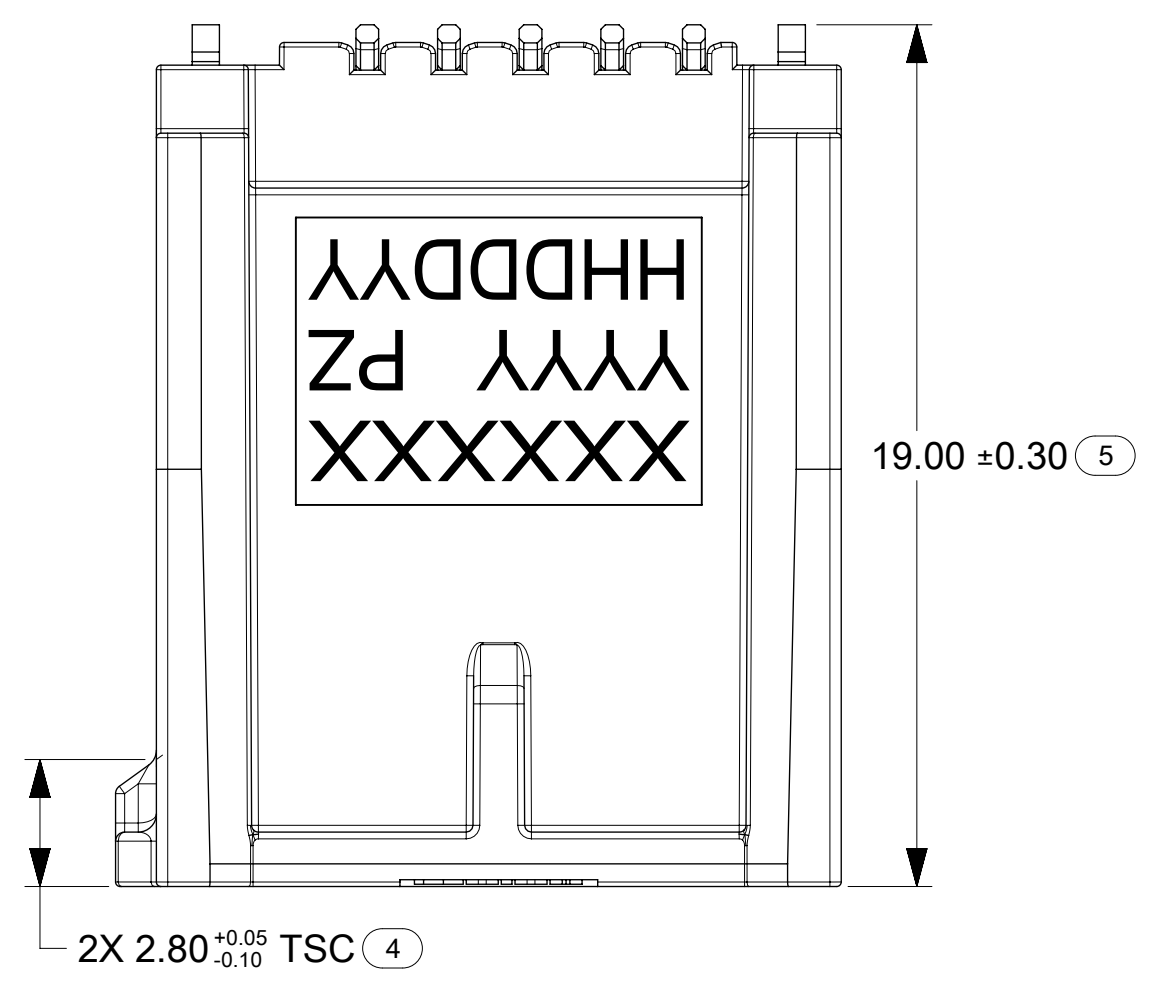
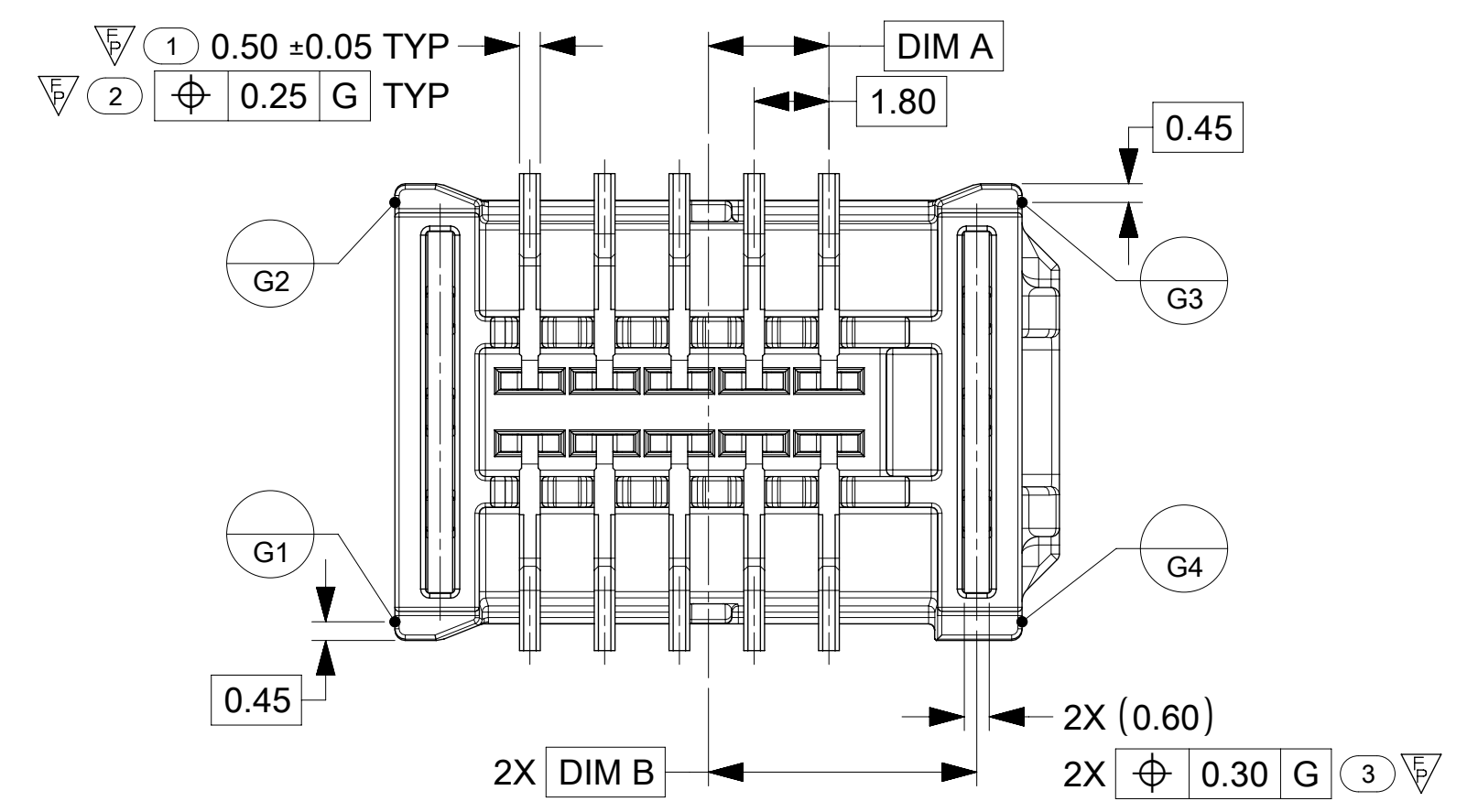
DOCUMENT NUMBER DOC TYPE DOC PART REVISION

2057260003 PSD 000 C3

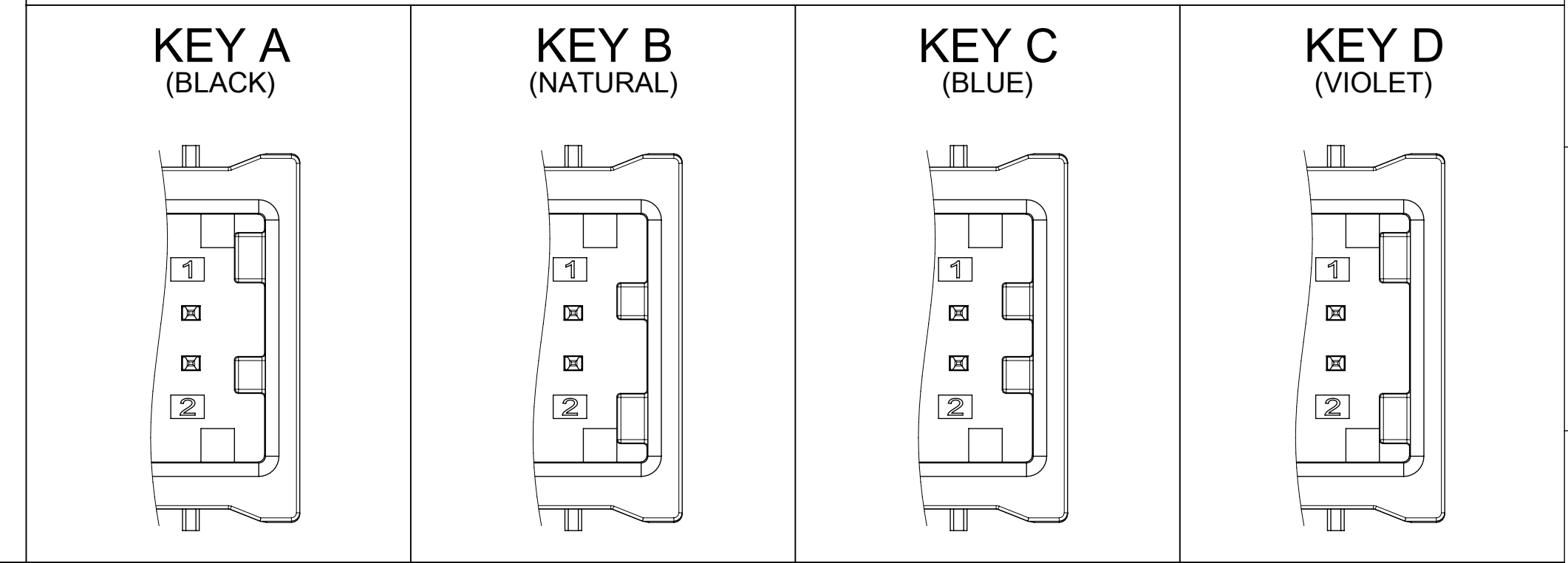
DRAWING SERIES MATERIAL NUMBER CUSTOMER SHEET NUMBER

D-SIZE 205726 SEE TABLE GENERAL MARKET 1 OF 2

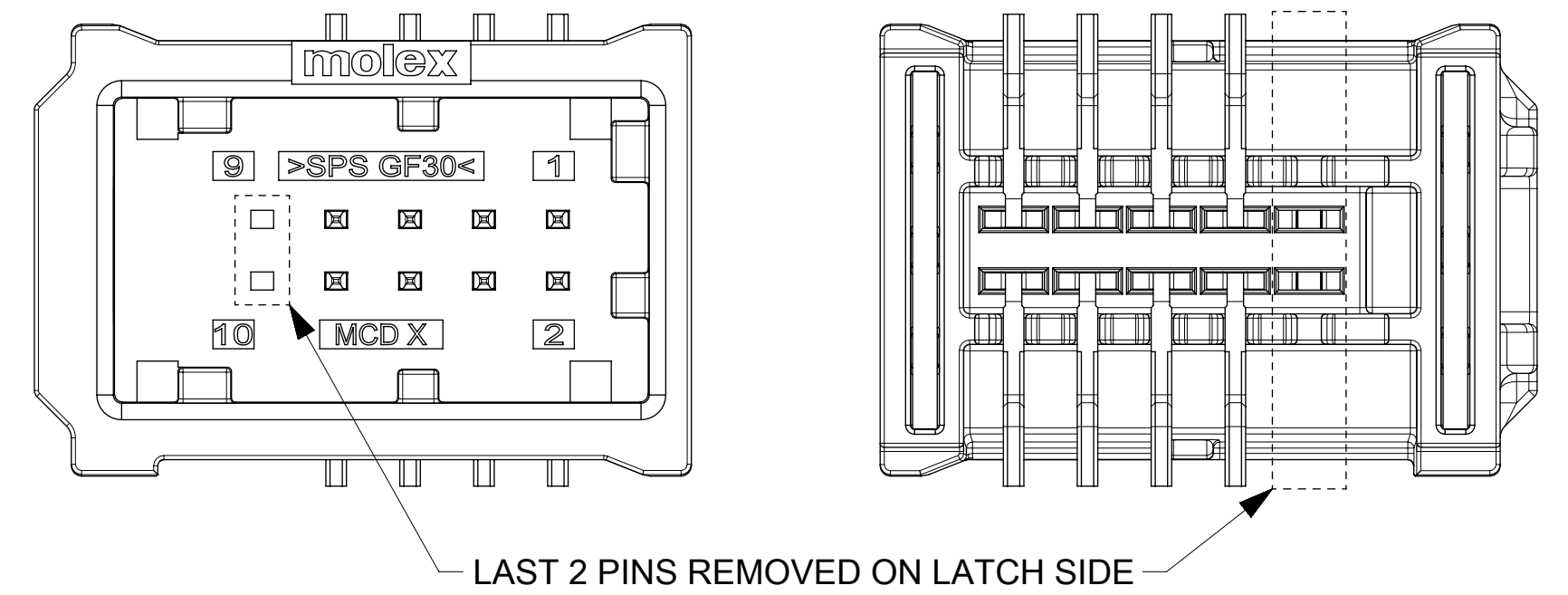
10CKT KEY A (2069572101) SHOWN EXCEPT WHERE NOTED
 REFER TO 2046310002 FOR INTERFACE DIMENSIONS



KEYING OPTIONS



2 CKTS UNPOPULATED
 8CKT HEADER WITH 2 CKTS UNPOPULATED (10CKT INTERFACE) SHOWN
 PART NUMBER: 2069584081



THIS DRAWING CONTAINS INFORMATION THAT IS PROPRIETARY TO MOLEX ELECTRONIC TECHNOLOGIES, LLC AND SHOULD NOT BE USED WITHOUT WRITTEN PERMISSION											
DIMENSION UNITS: mm		SCALE: 6:1		CURRENT REV DESC:							
GENERAL TOLERANCES (UNLESS SPECIFIED)				molex							
ANGULAR TOL ± °				CONNTAK50 DR VERTICAL SMT HEADER							
4 PLACES ±				PRODUCT CUSTOMER DRAWING							
3 PLACES ±				DOCUMENT NUMBER				DOC TYPE DOC PART REVISION			
2 PLACES ±				2057260003				PSD 000 C3			
1 PLACE ±				MATERIAL NUMBER				CUSTOMER			
0 PLACES ±				SEE TABLE				GENERAL MARKET			
DRAFT WHERE APPLICABLE MUST REMAIN WITHIN DIMENSIONS		THIRD ANGLE PROJECTION		DRAWING: D-SIZE		SERIES: 205726		SHEET NUMBER: 2 OF 2		SHEET NUMBER: 2 OF 2	

DOCUMENT STATUS	P1	RELEASE DATE	2021/08/09	15:18:47
-----------------	----	--------------	------------	----------