

AC axial fan

sickled blades (S series)

ebm-papst Mulfingen GmbH & Co. KG

Bachmühle 2

D-74673 Mulfingen

Phone: +49(0)7938/81-0

Fax: +49(0)7938/81-110

info1@de.ebmpapst.com

www.ebmpapst.com

Nominal data

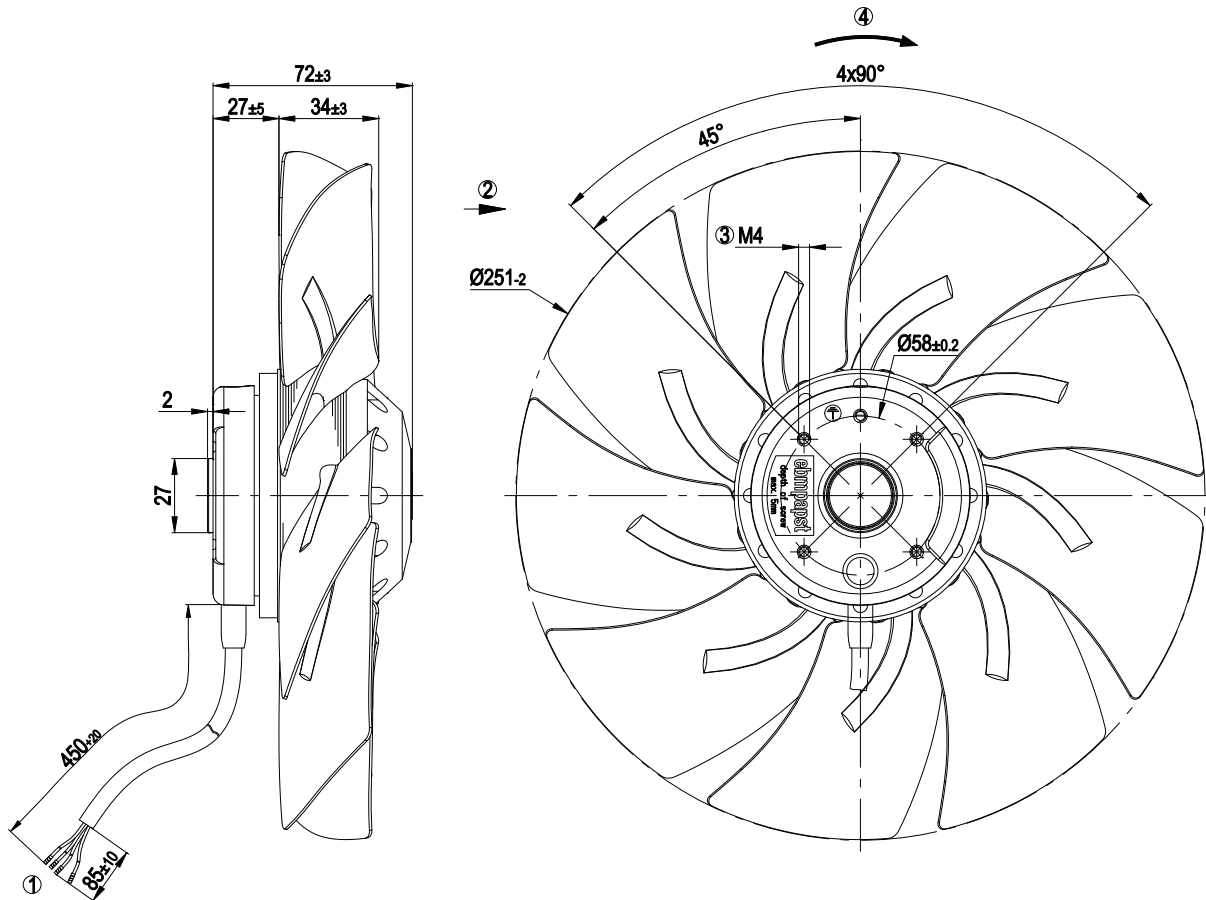
| | | | |
|-------------------------------|-----------------------|---------|---------|
| Type | A2E250-AM06-01 | | |
| Motor | M2E068-CF | | |
| Phase | | 1~ | 1~ |
| Nominal voltage | [V] | 230 | 230 |
| Frequency | [Hz] | 50 | 60 |
| Type of data definition | | rfa | rfa |
| Valid for approval / standard | | CE | CE |
| Speed | [min ⁻¹] | 2450 | 2600 |
| Power input | [W] | 115 | 150 |
| Current draw | [A] | 0.51 | 0.66 |
| Motor capacitor | [μF] | 3 | 3 |
| Capacitor voltage | [VDB] | 400 | 400 |
| Capacitor standard | | P0 (CE) | P0 (CE) |
| Max. back pressure | [Pa] | 120 | 85 |
| Max. ambient temperature | [°C] | 65 | 50 |

ml = max. load · me = max. efficiency · rfa = running at free air · cs = customer specs · cu = customer unit
 Subject to alterations

Technical features

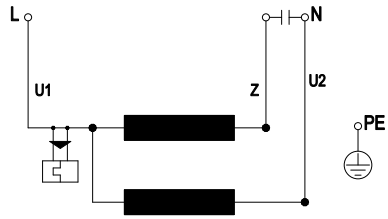
| | |
|---|--|
| Leakage current | < 0.75 mA |
| Size | 250 mm |
| Operation mode | S1 |
| Direction of rotation | Counter-clockwise, seen on rotor |
| Mounting position | Shaft horizontal or rotor on bottom; rotor on top on request |
| Humidity class | F1-2 |
| Direction of air flow | "A" |
| Insulation class | "B" |
| Cable exit | Variable |
| Condensate discharge holes | Rotor-side |
| Bearing motor | Ball bearing |
| Mass | 1.9 kg |
| Material of blades | Sheet steel, coated in black |
| Motor protection | Thermal overload protector (TOP) wired internally |
| Product conforming to standard | CE; EN 60335-1 |
| Surface of rotor | Coated in black |
| Number of blades | 7 |
| Type of protection | IP 44 |
| Protection class | I |
| Max. permissible ambient motor temp. (transp./ storage) | + 80 °C |
| Min. permissible ambient motor temp. (transp./storage) | - 40 °C |
| Approval | CCC |

Product drawing



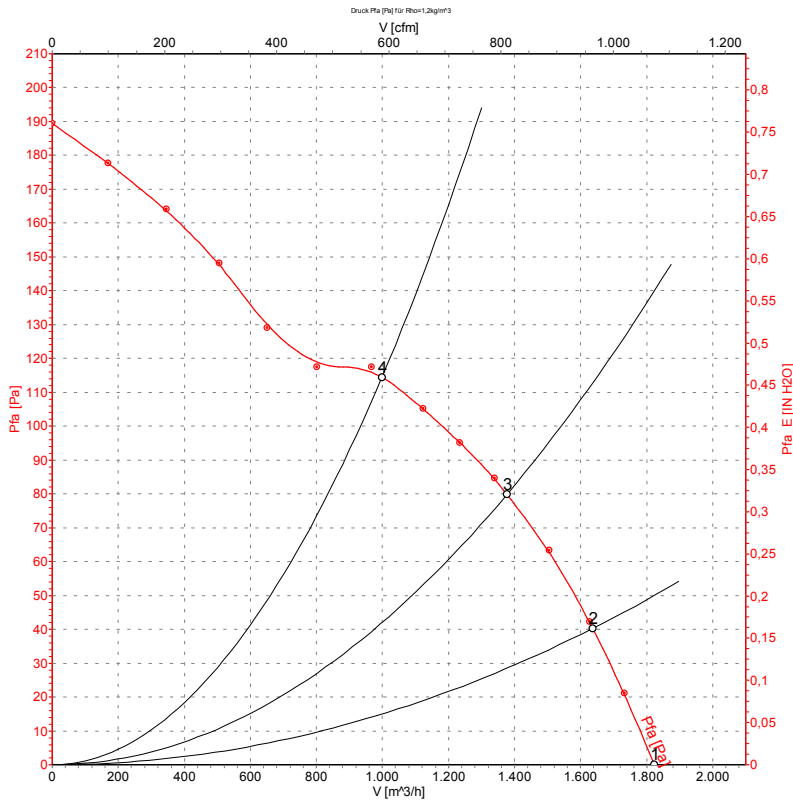
| | |
|---|---|
| 1 | Connection line PVC, 4x crimped core-end sleeves |
| 2 | Direction of air flow "A" |
| 3 | Depth of screw max. 5 mm |
| 4 | Direction of rotation counterclockwise, seen on rotor |

Connection screen



| | | | | | |
|----|--------------|---|-------|----|-------|
| U1 | blue | Z | brown | U2 | black |
| PE | green/yellow | | | | |

Charts: Air flow 50 Hz

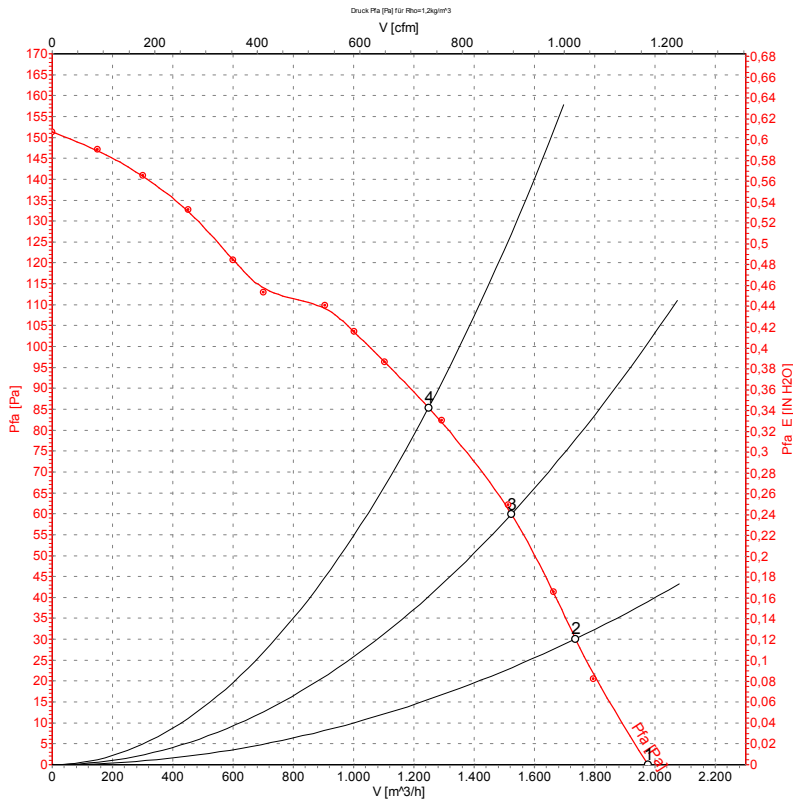


Measurement: LU-59608

Measured values

| | U | f | n | P ₁ | I | Ŷ | P _{fa} |
|---|-----|------|----------------------|----------------|------|---------------------|-----------------|
| | [V] | [Hz] | [min ⁻¹] | [W] | [A] | [m ³ /h] | [Pa] |
| 1 | 230 | 50 | 2450 | 115 | 0.51 | 1820 | 0 |
| 2 | 230 | 50 | 2420 | 120 | 0.52 | 1635 | 40 |
| 3 | 230 | 50 | 2335 | 128 | 0.56 | 1375 | 80 |
| 4 | 230 | 50 | 2270 | 134 | 0.58 | 1000 | 115 |

Charts: Air flow 60 Hz



Measured values

| | U | f | n | P ₁ | I | Ṃ | P _{fa} |
|---|-----|------|----------------------|----------------|------|---------------------|-----------------|
| | [V] | [Hz] | [min ⁻¹] | [W] | [A] | [m ³ /h] | [Pa] |
| 1 | 230 | 60 | 2600 | 150 | 0.66 | 1970 | 0 |
| 2 | 230 | 60 | 2525 | 156 | 0.68 | 1735 | 30 |
| 3 | 230 | 60 | 2415 | 160 | 0.70 | 1525 | 60 |
| 4 | 230 | 60 | 2300 | 164 | 0.71 | 1250 | 85 |