

SPECIFICATIONS

Rated(额定参数): 300V,8A
 Dielectric strength(抗电强度): AC1500V/1 Minute
 Insulation Resistance(绝缘电阻):1000MΩ Min
 Contact Resistance(接触电阻):20mΩ Max
 Wire Range(线径):28~16AWG
 Strip length(剥线长度):8~9mm
 Temp. range(操作温度): -40℃~+105℃
 MAX Soldering(瞬时温度):+250℃,5s

Housing Material(塑件): PA66 (UL94 V-0)
 Contact(端子): Phosphor Bronze, Tin plating(磷铜镀锡)

PITCH RANGE IN MM	NOMINAL DIMENSION RANGE IN MM				
	OVER 6	OVER 10	OVER TO 30	OVER TO 60	OVER TO 100
±0.10	±0.15	±0.25	±0.30	±0.30	±0.50
					±0.70
					±1.00

Ordering Information

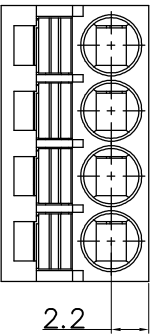
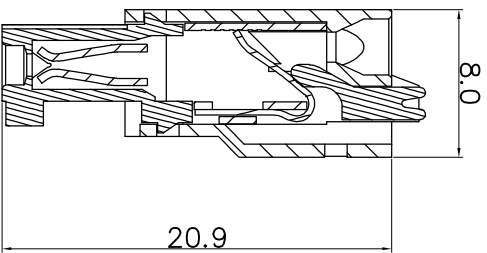
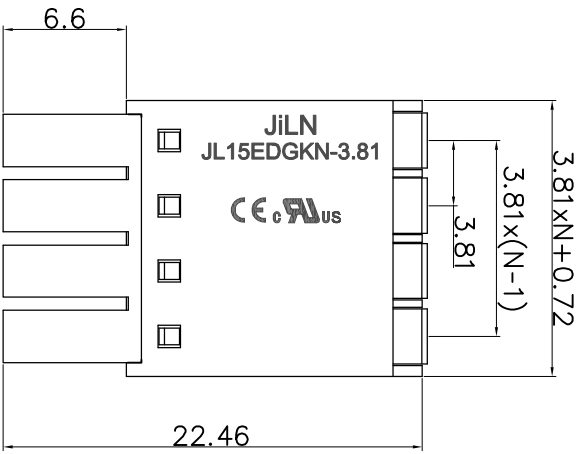
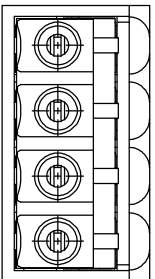
JL15EDGKN - 381 XX G 0 1

Pitch
381=3.81PH

No.of pins
2P,3P,4P~24P

Housing Color
B=Black
G=Green
U=Blue
R=Red
W=White
Y=Yellow
O=Orange
E=Grey

Packing
0=Pe bog
A=Tray



REVISION RECORD			
REV	ECN	DESCRIPTION	DRFT DATE

DRAW	SHUANGPING ZHENG		SCALE	FIT	PART NO.	TITLE:
	CHECK	LICHAO LIU				
APPROVE	YONGLANG GAO		SIZE	1/1	JL15EDGKN-381-XXP插拔式母座/绿色	
			SHEET	1/1		
			PROJ.			

JILIN 东莞市锦凌电子有限公司
 DONGGUAN JINLING ELECTRONIC CO., LTD

PART NO. JL15EDGKN-381XXG01

TITLE: JL15EDGKN-381-XXP插拔式母座/绿色

