

Jun.1.2024 Copyright 2024 HIROSE ELECTRIC CO., LTD. All Rights Reserved.  
In case of consideration for using Automotive equipment / device which demand high reliability, kindly contact our sales window correspondents.

| COUNT | DESCRIPTION OF REVISIONS | BY  | CHKD | DATE     | COUNT | DESCRIPTION OF REVISIONS | BY | CHKD | DATE |
|-------|--------------------------|-----|------|----------|-------|--------------------------|----|------|------|
| 2     | DIS-H-002388             | T.Y | T.M  | 07.08.27 |       |                          |    |      |      |
|       |                          |     |      |          |       |                          |    |      |      |
|       |                          |     |      |          |       |                          |    |      |      |

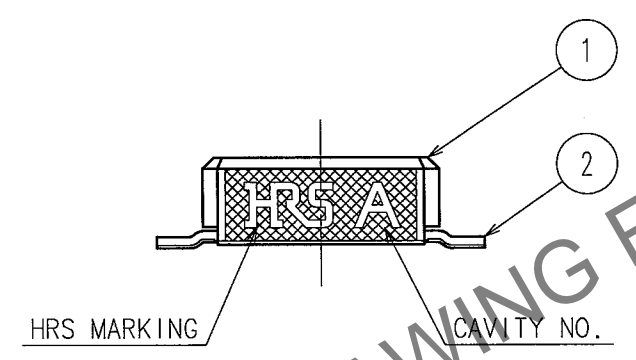
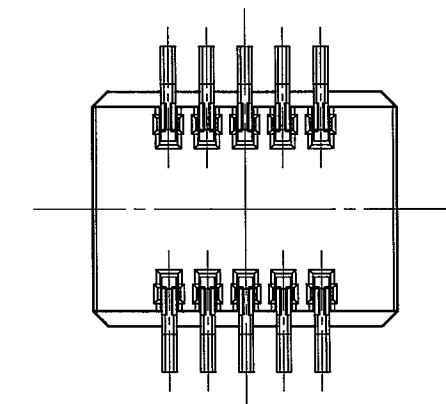
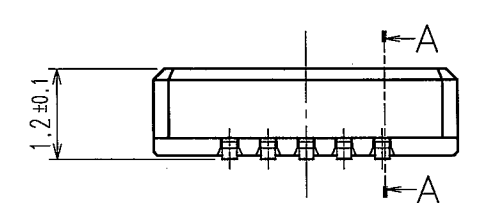
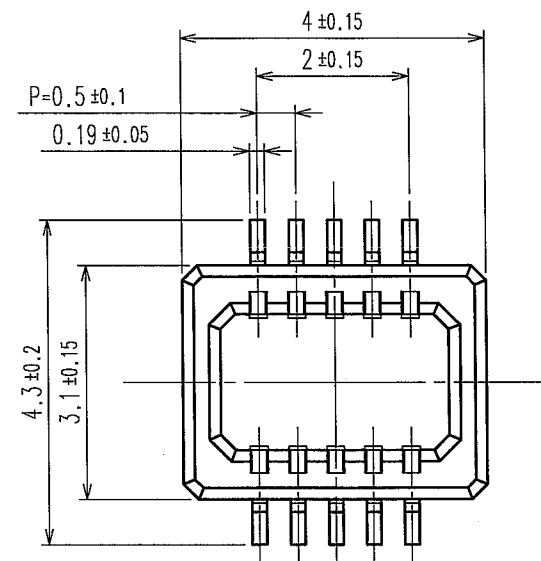


Fig.1 : RECOMMENDED PATTERN      Fig.2 : PLATING SPECIFICATION (40:1)

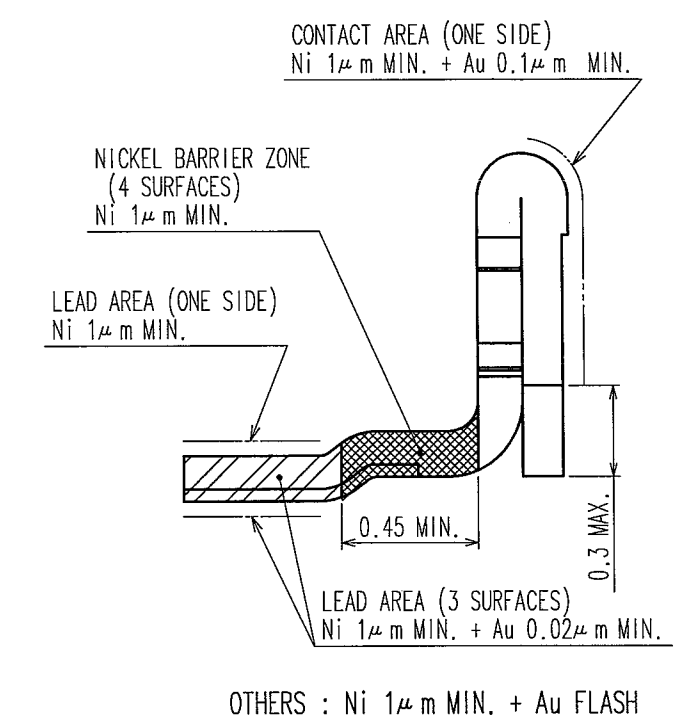
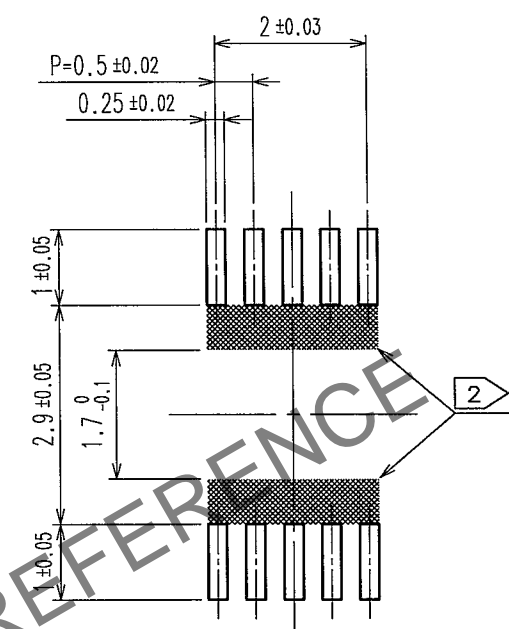
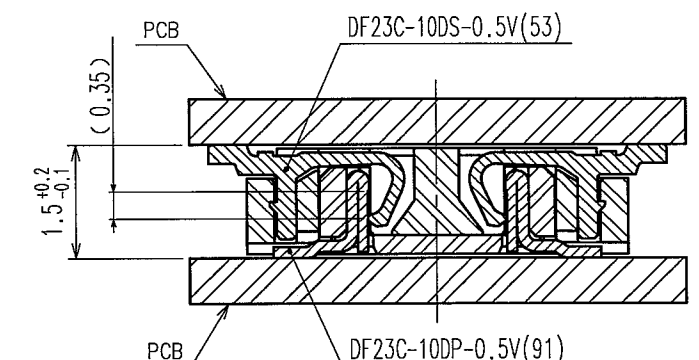
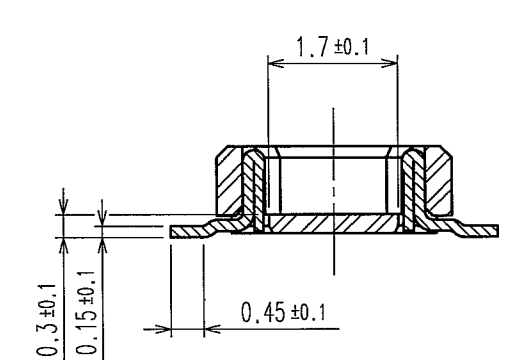


Fig.3 : A-A CROSS SECTION VIEW

Fig.4 : MATING VIEW



NOTES 1 LEAD CO-PLANARITY SHALL BE 0.1mm MAX.  
2 WHEN A PART MARKED WITH HAS A PATTERN BUT NO RESIST ON IT, TAKE CARE TO PREVENT THE CONNECTOR FROM TOUCHING IT.

| NO. | MATERIAL        | FINISH, REMARKS | NO. | MATERIAL  | FINISH, REMARKS     |
|-----|-----------------|-----------------|-----|-----------|---------------------|
| 2   | PHOSPHOR BRONZE |                 | 5   | PS        | BLACK(PLASTIC REEL) |
| 1   | LCP             | BLACK,UL94V-0   | 4   | POLYESTER | CLEAR               |
|     |                 |                 | 3   | PS        | CLEAR               |

| CODE NO. (OLD) | DRAWN      | DESIGNED   | CHECKED   | APPROVED  | RELEASED |
|----------------|------------|------------|-----------|-----------|----------|
|                | T.Yamamoto | T.Yamamoto | K.Akiyama | K.Akiyama |          |
|                | '03. 5. 8  | '03. 5. 8  | '03. 5. 8 | '03. 5. 8 |          |

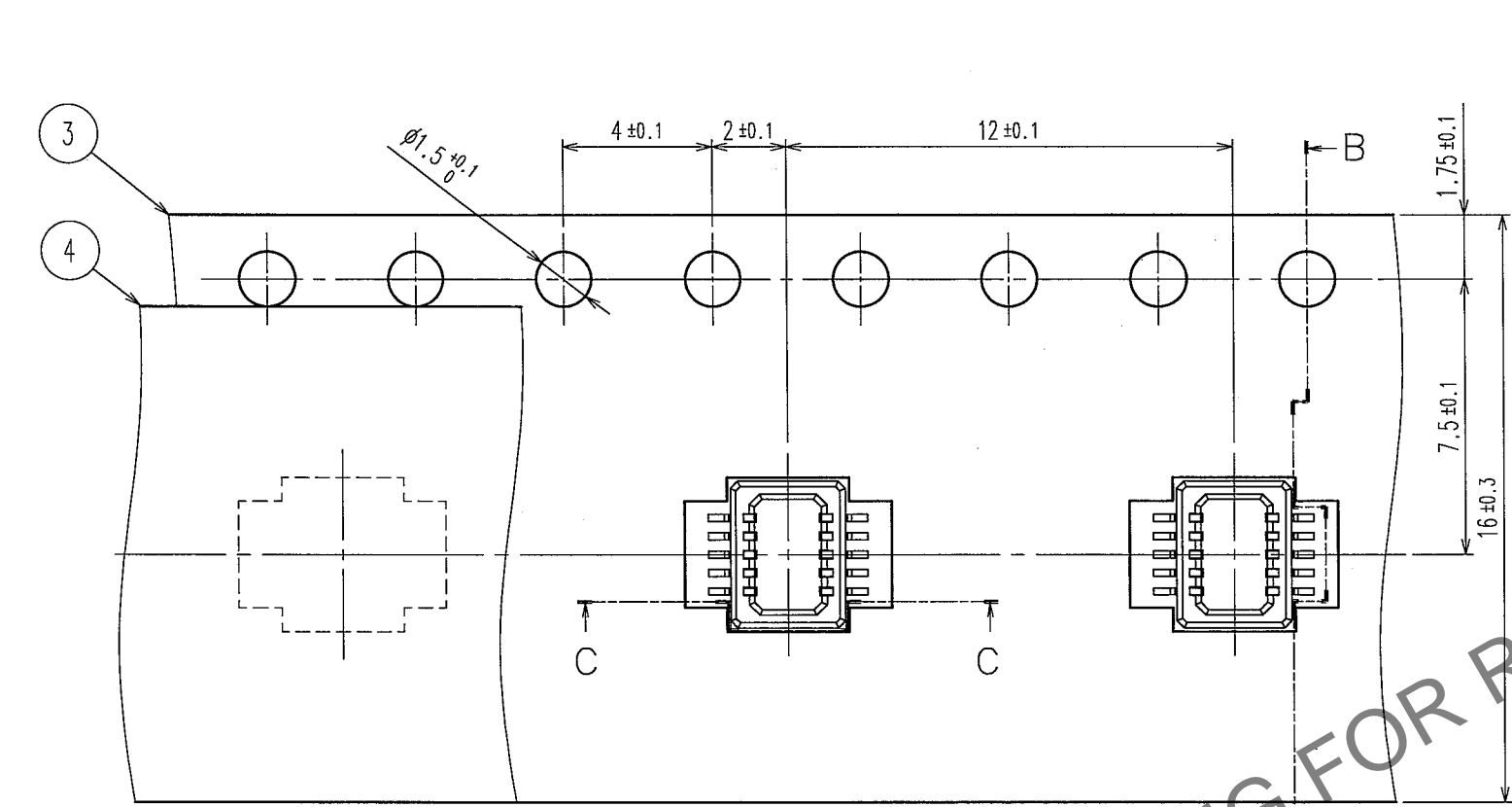
  

|        |                              |                     |
|--------|------------------------------|---------------------|
| SCALE  | DRAWING NO.                  | PART NO.            |
| 10 : 1 | EDC3-164008-11               | DF23C-10DP-0.5V(91) |
| UNITS  | HRS HIROSE ELECTRIC CO., LTD | CODE NO.            |
| mm     |                              | CL688-0806-1-91     |

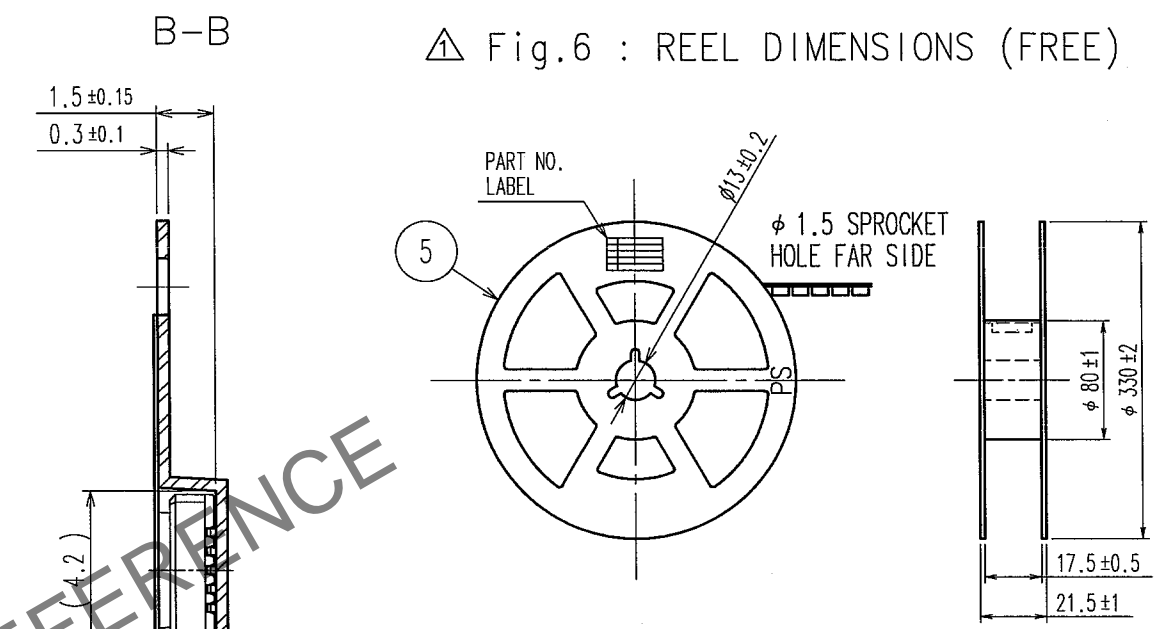
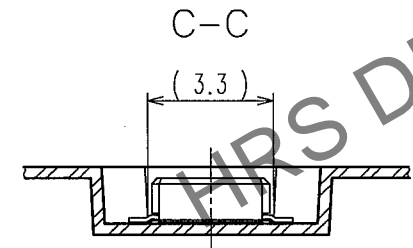
1/2

Jun.1.2024 Copyright 2024 HIROSE ELECTRIC CO., LTD. All Rights Reserved.  
In case of consideration for using Automotive equipment / device which demand high reliability, kindly contact our sales window correspondents.

| COUNT | DESCRIPTION OF REVISIONS | BY | CHKD | DATE | COUNT | DESCRIPTION OF REVISIONS | BY | CHKD | DATE |
|-------|--------------------------|----|------|------|-------|--------------------------|----|------|------|
|       |                          |    |      |      |       |                          |    |      |      |
|       |                          |    |      |      |       |                          |    |      |      |
|       |                          |    |      |      |       |                          |    |      |      |



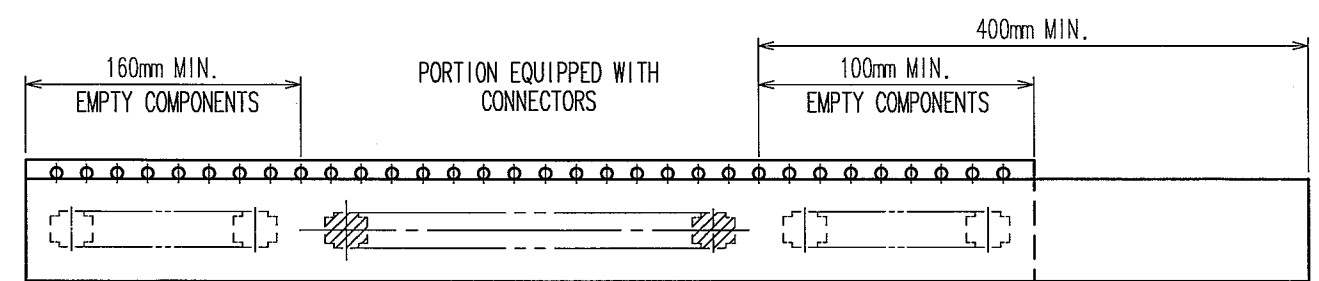
DIRECTION OF UNREELING



6 DETAIL OF PART NO. LABEL

|                      |                          |
|----------------------|--------------------------|
| DATE OF MANUFACTURED | ** * * *                 |
| CODE NO.             | CL688-0806-1-91          |
| PART NO.             | DF23C-10DP-0.5V(91)      |
| QUANTITY             | 3000                     |
| SUPPLIER             | HIROSE ELECTRIC CO.,LTD. |

- NOTES  
 3 PER REEL 3000 CONNECTORS  
 4 THE DIMENSIONS IN PARENTHESES ARE FOR REFERENCE  
 5 REFER TO JIS C 0806 (PACKAGING OF COMPONENTS FOR AUTOMATIC HANDLING)  
 6 DETAIL OF PART NO. LABEL IS WRITTEN IN JAPANESE.



5 Fig.5 : TAPING

|                |                              |            |           |           |          |
|----------------|------------------------------|------------|-----------|-----------|----------|
| CODE NO. (OLD) | DRAWN                        | DESIGNED   | CHECKED   | APPROVED  | RELEASED |
|                | T.Yamamoto                   | T.Yamamoto | K.Akiyama | K.Akiyama |          |
|                | '03. 5. 8                    | '03. 5. 8  | '03. 5. 8 | '03. 5. 8 |          |
| DRAWING NO.    | PART NO.                     |            |           |           |          |
| EDC3-164008-11 | DF23C-10DP-0.5V(91)          |            |           |           |          |
| SCALE          | CODE NO.                     |            |           |           |          |
| 5 : 1          | CL688-0806-1-91              |            |           |           |          |
| UNITS          | HRS HIROSE ELECTRIC CO., LTD |            |           |           |          |
| mm             |                              |            | 2/2       |           |          |

In case of consideration for using Automotive equipment / device which demand high reliability, kindly contact our sales window correspondents.

