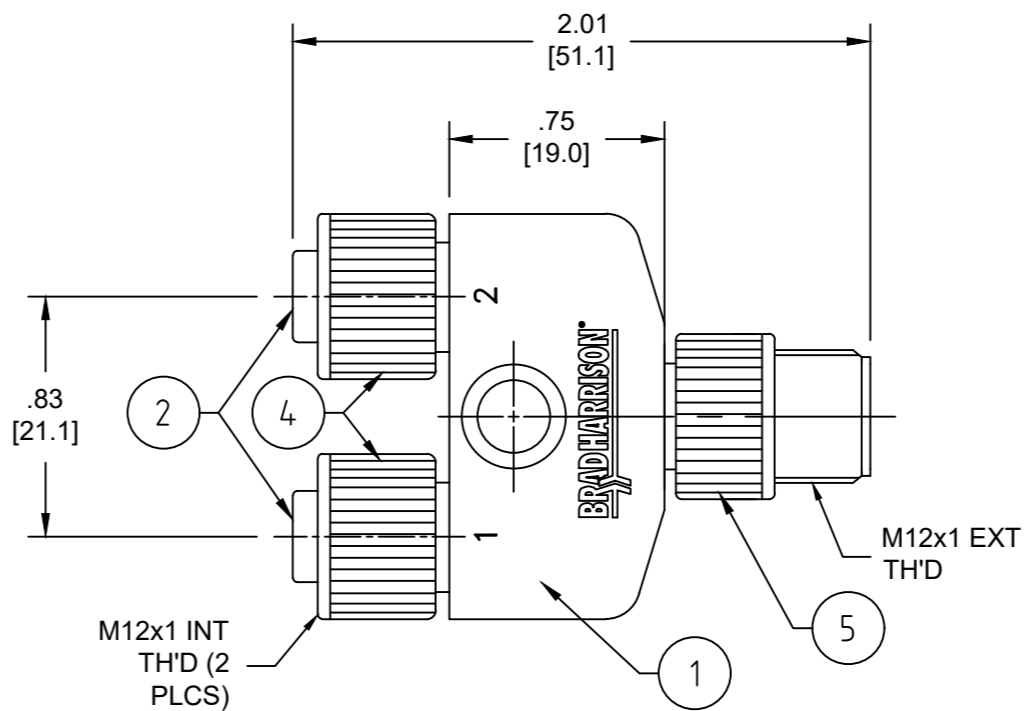
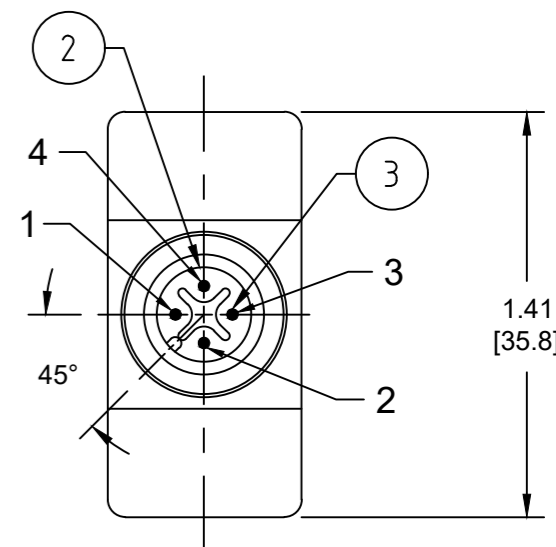


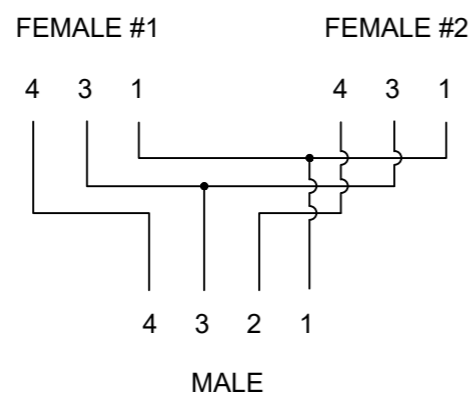
4 POLE FEMALES
FRONT VIEW



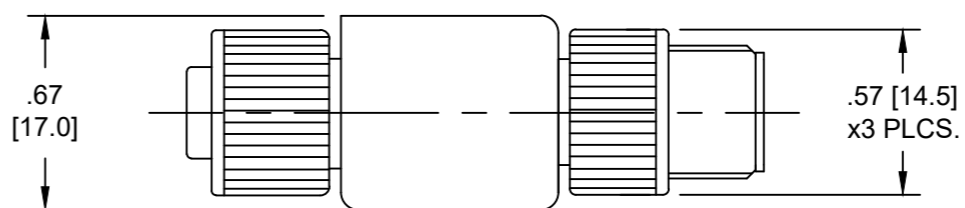
TOP VIEW



4 POLE MALE
FRONT VIEW



WIRE DIAGRAM



SIDE VIEW

- NOTES: (A)
1. MATERIAL: AS NOTED
 2. FINISH: AS NOTED
 3. ELECTRICAL:
VOLTAGE: 24V
CURRENT: 4A
 4. TEMP RATING: -20°C TO +80°C
 5. PROTECTION: IP67 (WHEN MATED)
 6. UL FILE: E152210
 7. ALL DIMENSIONS ARE FOR REFERENCE
UNLESS TOLERANCED OR NOTED OTHERWISE

MATERIAL NUMBER	ENGINEERING NUMBER	OVERMOLD COLOR
1200680169	81590R	GREY
1200680170	81594R	YELLOW
1200680229	81590	GREY

ITEM	COMPONENT	MATERIAL	FINISH
6	O-RING	VITON	RED
5	MALE COUPLING NUT	ZINC DIE CAST	BLACK E-COAT
4	FEMALE COUPLING NUT	ZINC DIE CAST	BLACK E-COAT
3	CONTACT	COPPER ALLOY	GOLD/NICKEL PLATED
2	INSERT	NYLON	BLACK
1	OVERMOLD	TPC	SEE TABLE

THIS DRAWING CONTAINS INFORMATION THAT IS PROPRIETARY TO MOLEX ELECTRONIC TECHNOLOGIES, LLC AND SHOULD NOT BE USED WITHOUT WRITTEN PERMISSION

FUNCTIONAL SYMBOLS: $F_A=0$, $F_C=0$, $F_P=0$

DIMENSION UNITS: INCH/MM, SCALE: NTS

GENERAL TOLERANCES (UNLESS SPECIFIED):
 4 PLACES ±--- ±---
 3 PLACES ±--- ±0.005
 2 PLACES ±0.13 ±0.01
 1 PLACE ±0.25 ±0.02
 0 PLACES ±--- ±---

ANGULAR TOL ± 0.5 °

DRAFT WHERE APPLICABLE MUST REMAIN WITHIN DIMENSIONS

THIRD ANGLE PROJECTION

DRAWING: B-SIZE, SERIES: 120068

EC NO: 669893
 DRWN: ABENJAMINLW 2021/04/05
 CHK'D: RSTONE 2021/07/12
 APPR: BWOODMAN 2021/07/14

INITIAL REVISION:
 DRWN: BBRAUCH 2010/02/17
 APPR: NSTAUDIG 2010/02/24

DOCUMENT NUMBER: SD-120068-034, DOC TYPE: PSD, DOC PART: 001, REVISION: A

MATERIAL NUMBER: SEE CHART, CUSTOMER: GENERAL MARKET, SHEET NUMBER: 1 OF 1

molex
 MICRO-CHANGE MOLDED SPLITTER, M12,
 4-3 POLE, MALE - FEMALE, STRAIGHT,
 SINGLE KEY, #22 AWG

PRODUCT CUSTOMER DRAWING