

Customer Information Sheet

DRAWING No.: G125-MHX0805M4-2AD2ADP

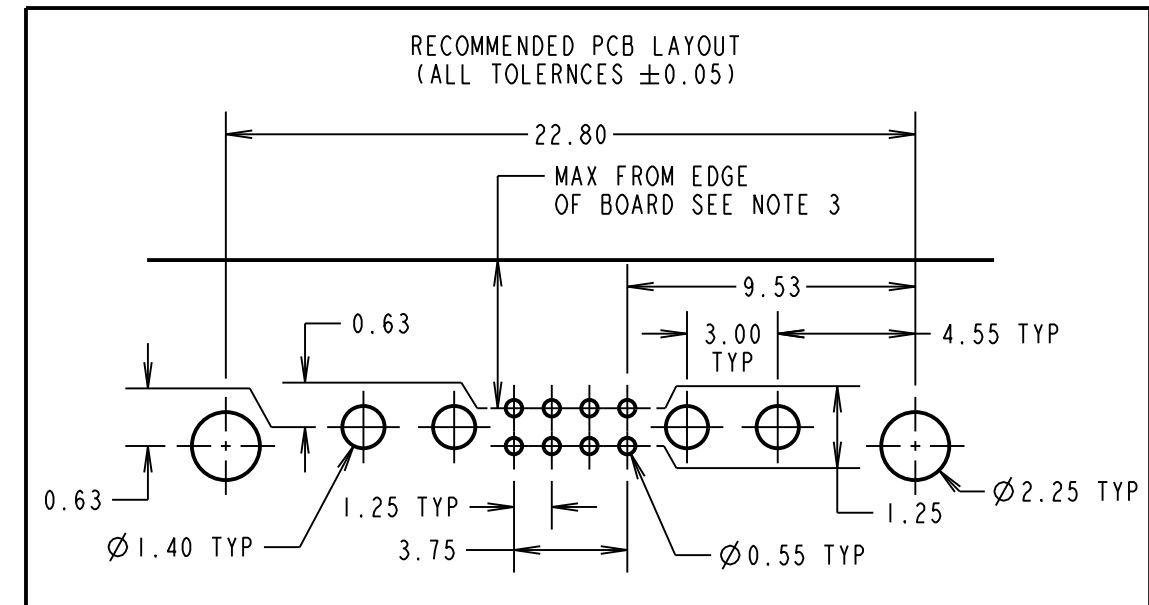
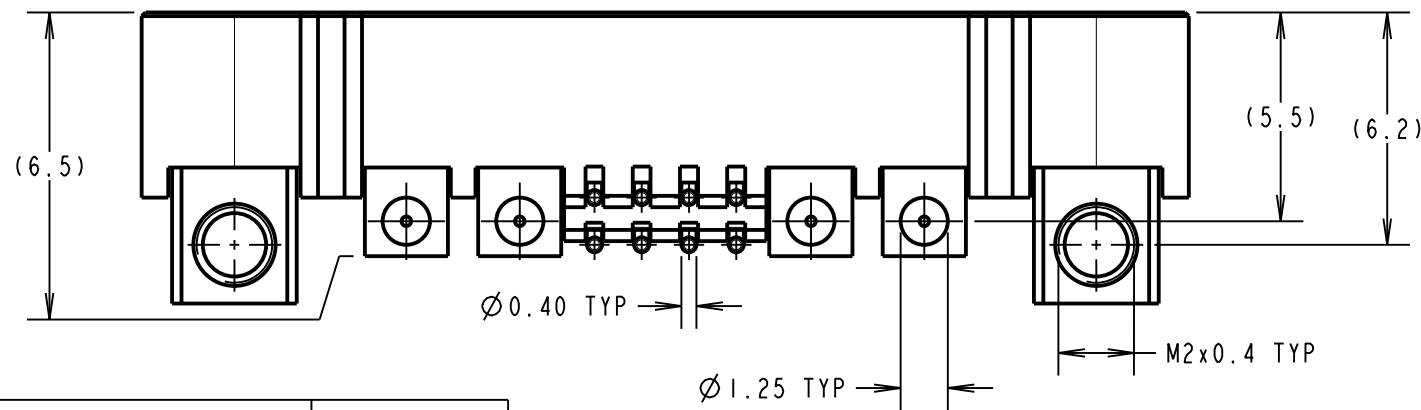
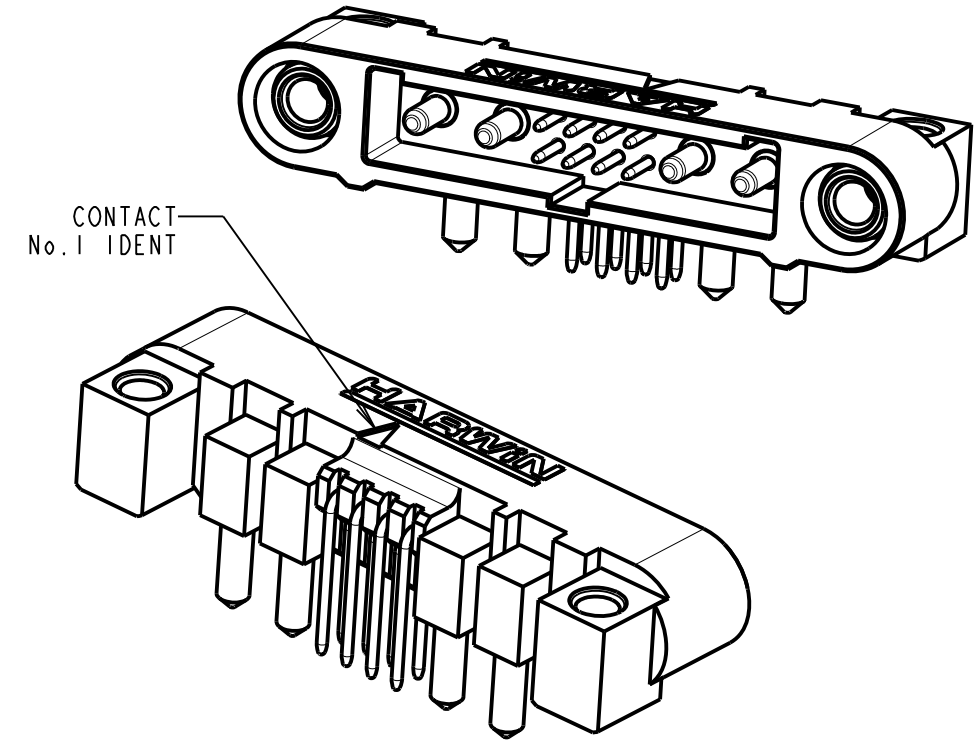
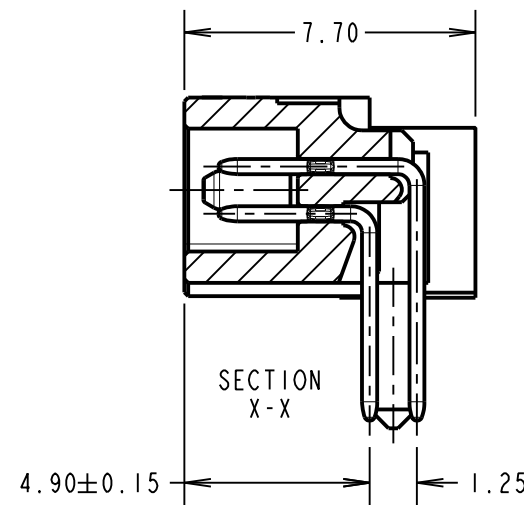
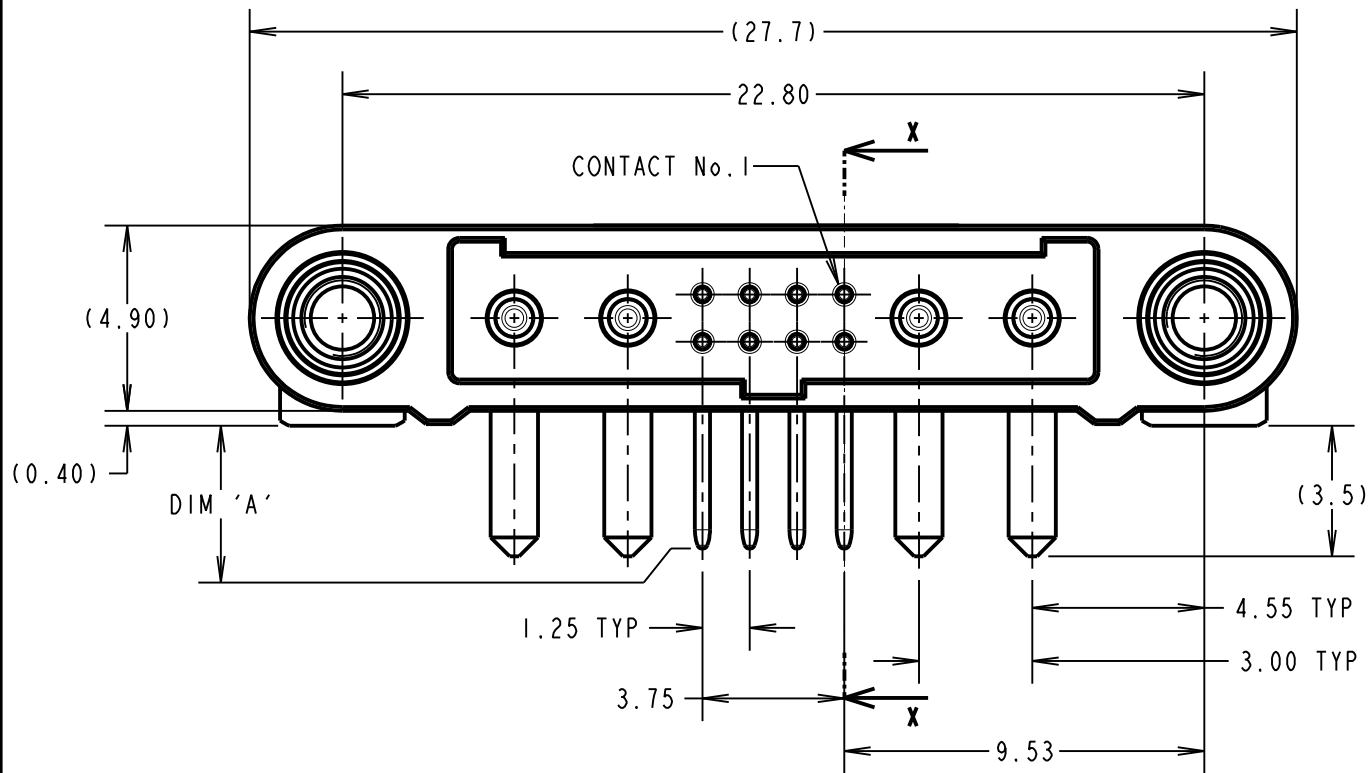
IF IN DOUBT - ASK

©

NOT TO SCALE

THIRD ANGLE PROJECTION

ALL DIMENSIONS IN mm



ASSEMBLY P/No.	DIM 'A'
G125-MH10805M4-2AD2ADP	3.3±0.15

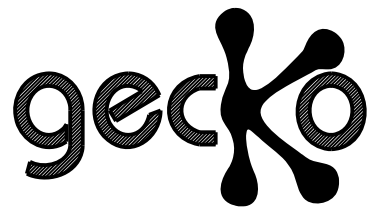
ORDER CODE:
G125-MHX0805M4-2AD2ADP
 3.30mm PC-TAILS = HI

NOTES:

- FOR MATERIALS, FINISH AND SPECIFICATIONS SEE GECKO SERIES SPECIFICATION SUMMARY SHEET OR COMPONENT SPECIFICATION C125XX (LATEST ISSUE) FOR FULL SPECIFICATION.
- A RANGE OF SUITABLE M2 BOARD MOUNT SCREWS ARE AVAILABLE SEPARATELY. VISIT HARWIN.COM FOR DETAILS.
- MAX DISTANCE OF NEAR SIDE CONTACTS TO BOARD EDGE WHEN MATED WITH:
 -UNSHIELDED CABLE: 4.90mm
 -SHIELDED CABLE : 2.75mm

CONNECTOR AND PCB LAYOUT DETAILS ONLY
 SEE SHEET 4 FOR TAPE STRIP DETAILS

RA	4	28.10.21	30973
NAME	ISS.	DATE	CN/CO
APPROVED: R.ALEXANDER			
CHECKED: R.PORTLOCK			
DRAWN: MARK G PLESTED			
CUSTOMER REF.:			
ASSEMBLY DRG:			



www.harwin.com
 technical@harwin.com

THIS DRAWING AND ANY INFORMATION OR DESCRIPTIVE MATTER SET OUT HEREON ARE CONFIDENTIAL AND COPYRIGHT PROPERTY OF THE HARWIN GROUP AND MUST NOT BE DISCLOSED, LOANED, COPIED OR USED FOR MANUFACTURING, TENDERING OR FOR ANY OTHER PURPOSE WITHOUT THEIR WRITTEN PERMISSION.

TOLERANCES
 X. = ±1mm
 X.X = ±0.50mm
 X.XX = ±0.20mm
 X.XXX = ±0.01mm
 ANGLES = ±5°
 UNLESS STATED

MATERIAL: SEE ABOVE
 FINISH: SEE ABOVE
 S/AREA: mm²

TITLE:
 G125 MT SERIES MALE
 HORIZONTAL PC TAIL CONNECTOR
 DRAWING NUMBER:
G125-MHX0805M4-2AD2ADP 3 OF 4

Customer Information Sheet

DRAWING No.: G125-MHX0805M4-2AD2ADP

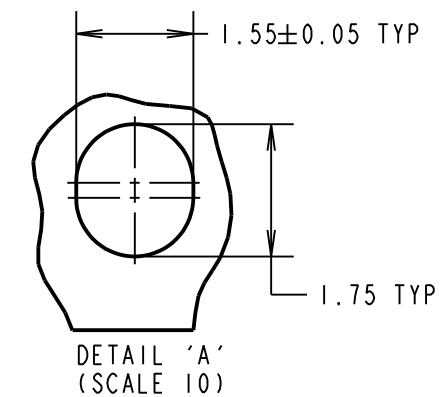
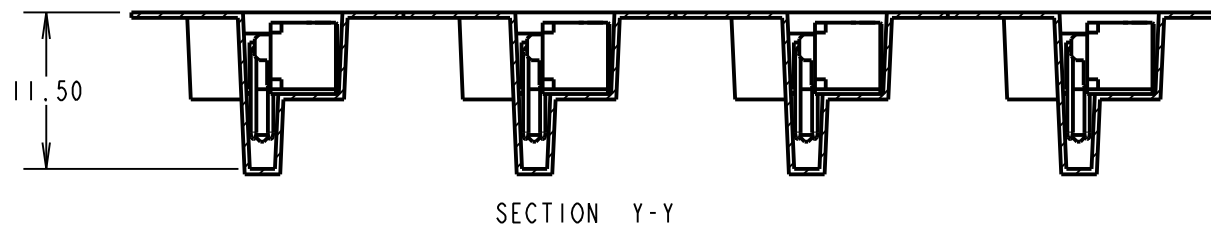
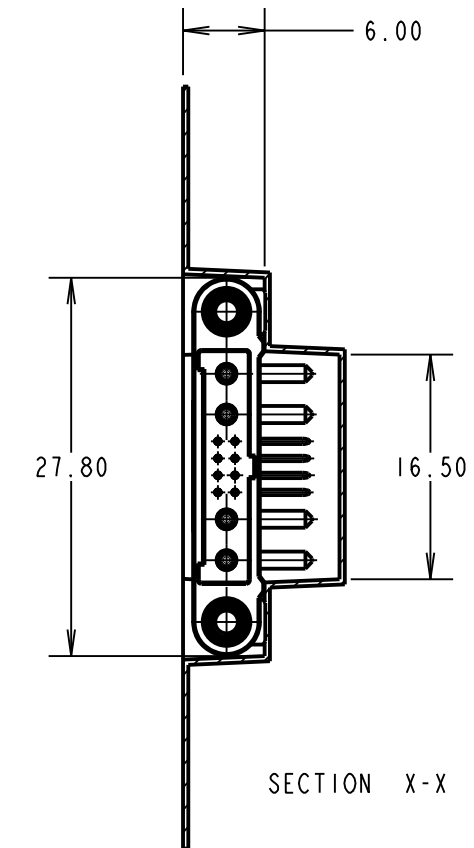
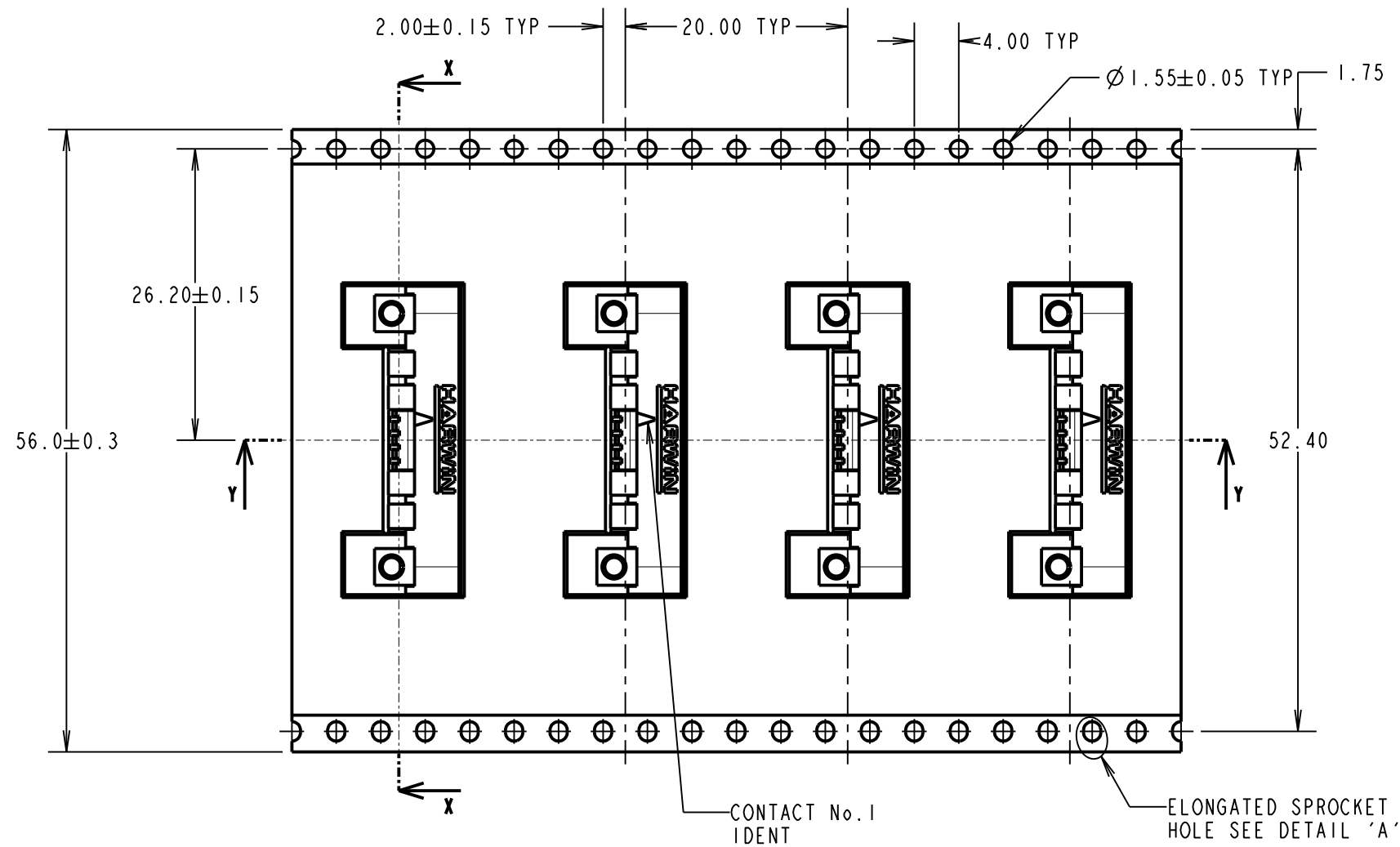
IF IN DOUBT - ASK

©

NOT TO SCALE

THIRD ANGLE PROJECTION

ALL DIMENSIONS IN mm



TAPE STRIP DETAILS ONLY, SEE SHEET 3 FOR CONNECTOR AND PCB LAYOUT DETAILS

NOTES:

- COMPONENTS ARE ORIENTATED IN TAPE POCKETS AS SHOWN.
- COMPONENTS ARE SUPPLIED IN STRIPS OF TAPE. SUPPLIED QUANTITY MAY CONSIST OF MORE THAN ONE STRIP. STRIP LENGTH MAY VARY.
- LARGE QTY'S MAY BE SHIPPED ON A REEL AND MAY NOT HAVE A LEADER.
- FOR PARTS ON REEL SUITABLE FOR AUTOMATIC MACHINE PLACEMENT PLEASE ORDER: G125-MHX0805M4-2AD2ADR.

RA	4	28.10.21	30973
NAME	ISS.	DATE	CN/CO
APPROVED: R.ALEXANDER			
CHECKED: R.PORTLOCK			
DRAWN: MARK G PLESTED			
CUSTOMER REF.:			
ASSEMBLY DRG:			

HARWIN
www.harwin.com
technical@harwin.com

THIS DRAWING AND ANY INFORMATION OR DESCRIPTIVE MATTER SET OUT HEREON ARE CONFIDENTIAL AND COPYRIGHT PROPERTY OF THE HARWIN GROUP AND MUST NOT BE DISCLOSED, LOANED, COPIED OR USED FOR MANUFACTURING, TENDERING OR FOR ANY OTHER PURPOSE WITHOUT THEIR WRITTEN PERMISSION.

TOLERANCES
X. = ±1mm
X.X = ±0.50mm
X.XX = ±0.20mm
X.XXX = ±0.01mm
ANGLES = ±5°
UNLESS STATED

MATERIAL: SEE ABOVE
FINISH: SEE ABOVE
S/AREA: mm²

TITLE:
G125 MT SERIES MALE HORIZONTAL PC TAIL CONNECTOR
DRAWING NUMBER:
G125-MHX0805M4-2AD2ADP 4 OF 4