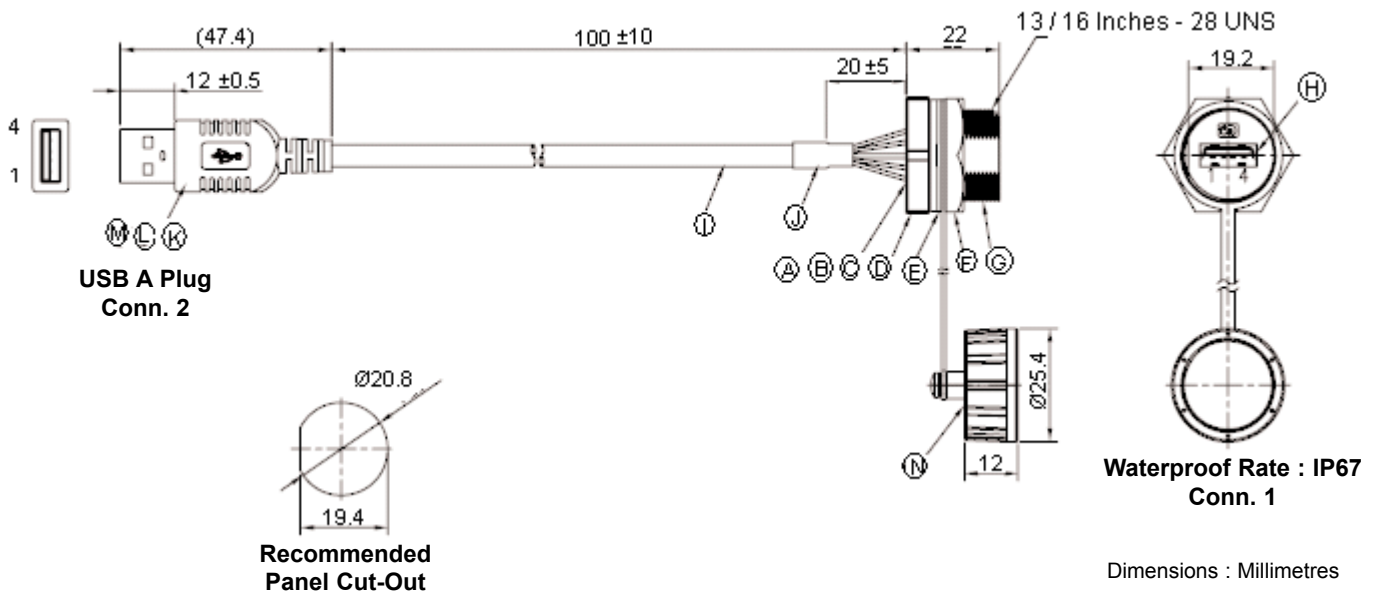


# Adapter

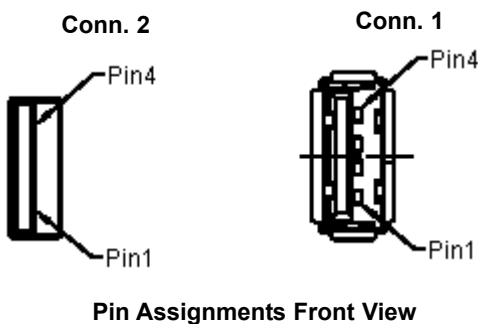
## Jack to USB Plug



### Specifications:

- Waterproof Rate : IP67
- IP67 : Immersed in 1 M water for 30 minutes
- Rating : 30 V 1 A
- Specifications : see USB series specifications
- To conform to singatron hazardous substance free specifications
- Maximum for Panel Thickness : 2.5 mm

### Pin Out



Shield	Drain	Shield
Conn. 2	Wire Colour	Conn. 1
1	Red (24 AWG)	1
2	White (28 AWG)	2
3	Green (28 AWG)	3
4	Black (24 AWG)	4

# Adapter

## Jack to USB Plug



### Specifications Table

Description	Material	Plating and Colour
PCB	FR-4	Green
O-Ring	EPDM	Black
Thermal Glue	-	Natural
Sealing Nut	PPE	
Gasket	EPDM	
Screw Nut	PPE	Black
Housing		
USB A Jack	P / N:2UB1518-000111	N/A
Cable	USB2 28# ×1 P + 24# × 2 C + ADB, UV Resistant	Black PVC Jacket
Shrink Tube	Ø5 × 15	Black
Over Mould	PVC	
AL Foil	AL Foil	N/A
USB Plug	USB2 Plug	
Waterproof Cap	P / N :2UB3001-W0000W	

### Part Number Table

Description	Part Number
Adapter, USB Type A, Jack - Plug	2UB3001-W05101

**Important Notice** : This data sheet and its contents (the "Information") belong to the members of the Premier Farnell group of companies (the "Group") or are licensed to it. No licence is granted for the use of it other than for information purposes in connection with the products to which it relates. No licence of any intellectual property rights is granted. The Information is subject to change without notice and replaces all data sheets previously supplied. The Information supplied is believed to be accurate but the Group assumes no responsibility for its accuracy or completeness, any error in or omission from it or for any use made of it. Users of this data sheet should check for themselves the Information and the suitability of the products for their purpose and not make any assumptions based on information included or omitted. Liability for loss or damage resulting from any reliance on the Information or use of it (including liability resulting from negligence or where the Group was aware of the possibility of such loss or damage arising) is excluded. This will not operate to limit or restrict the Group's liability for death or personal injury resulting from its negligence. Multicomp is the registered trademark of the Group. © Premier Farnell plc 2012.