

SmartMotion Development Platform (Ver. G) Hardware User Guide

TABLE OF CONTENTS

1	Overview	3
2	Introduction	4
2.1.	Features Overview	4
2.2.	Platform Overview	4
2.3.	Hardware User Guide	4
3	Sensors and Development Kits	5
3.1.	DK-40627	5
3.2.	DK-42370-P	6
3.3.	DK-42670-P	6
3.4.	DK-42686-P	6
3.5.	DK-42688-P	7
3.6.	DK-42688-V	7
3.7.	DK-20100	7
3.8.	DK-20670	8
3.9.	DK-42351	8
3.10.	DK-42352	8
3.11.	DK-42652	9
3.12.	DK-42653	9
3.13.	Magnetic Sensors Connection	9
4	The Smartmotion System Design	10
4.1.	System Block Diagram	10
4.2.	Main MCU SAMG55 Resource Allocation	10
4.3.	Connectors	11
4.4.	Jumper Settings	11
5	Schematics and Board PCB	12
5.1.	Schematics	12
5.2.	Board PCB	15
6	Revision History	16
7	Declaration Disclaimer	17

1 OVERVIEW

The TDK SmartMotion Platform Ver. G is a comprehensive development system for TDK InvenSense Motion Sensor devices. The platform designed around the Microchip SAMG55 MCU can be used by customers for rapid evaluation and development of InvenSense sensor-based solutions. The platform integrates an on-board Embedded Debugger so external tools are not required to program or debug with the SAMG55 MCU. Each InvenSense motion sensor has its own unique development kit. Their DK numbers are listed in this document.

The SmartMotion platform comes with the necessary software including InvenSense MotionLink, a GUI based development tool and embedded Motion Drivers (eMD) for InvenSense motion sensors.

Embedded Motion Drivers (eMD) consist of a set of APIs to configure various aspects of the platform including motion sensor parameters such as full-scale range (FSR), output data rate (ODR), low-power or low-noise mode, and sensor interface to host (I²C, SPI). The eMDs will also provide the following enhanced motion functions that run on the MCU:

- Sensor Fusion
- Accelerometer and Gyroscope Calibration
- Android Functions: Game Rotation Vector, Gravity, Linear Acceleration

MotionLink is a GUI based development tool included with the platform. It can be used to capture and visualize the sensor data from the motion sensor.

The platform supports Atmel Studio and is compatible with Microchip Xplained Pro Extension boards. Xplained Pro extension series evaluation kits offer additional peripherals to extend the features of the board and ease the development of customer designs.

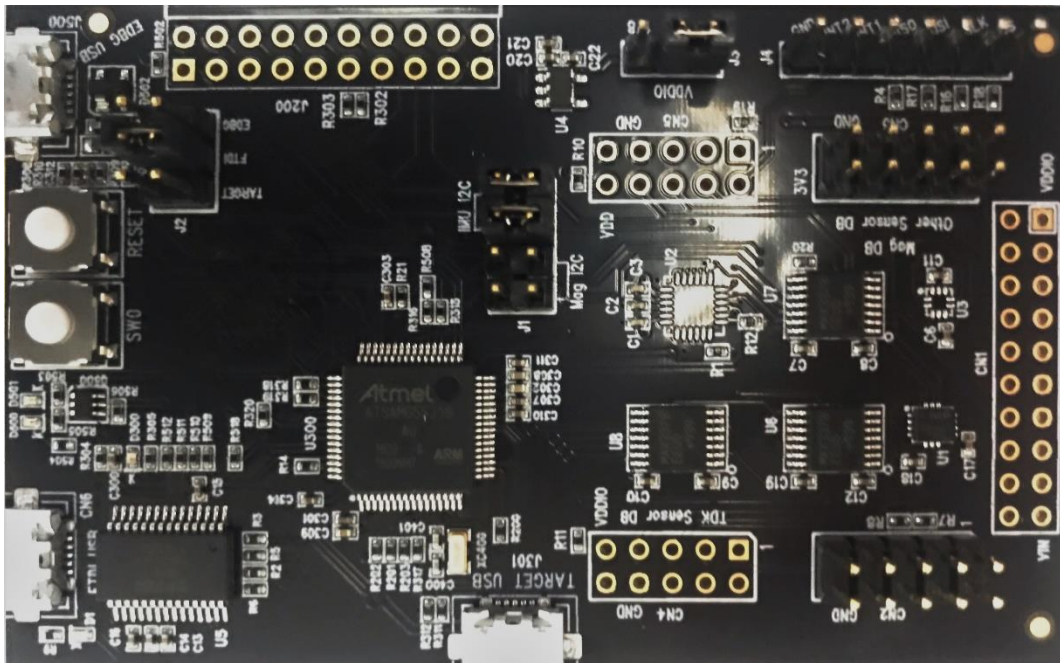


Figure 1. SmartMotion Platform Ver. G Development Kit

2 INTRODUCTION

2.1. FEATURES OVERVIEW

- Integrated TDK InvenSense motion sensor
- Support for a magnetic sensor with plug in daughter boards (DB)
- Microchip SAMG55 microcontroller with 512 KB Flash
- On-board Embedded debugger (EDBG) for Programming and debugging
- Built in FTDI USB to UART interface for fast motion sensor data transfer
- USB Connectors for host interface to software debug and data logging
- Board Power Supply through USB

2.2. PLATFORM OVERVIEW

The TDK SmartMotion Platform Ver. G is a hardware unit for TDK sensor product evaluation and algorithm software development. The platform offers support for many different application developments.

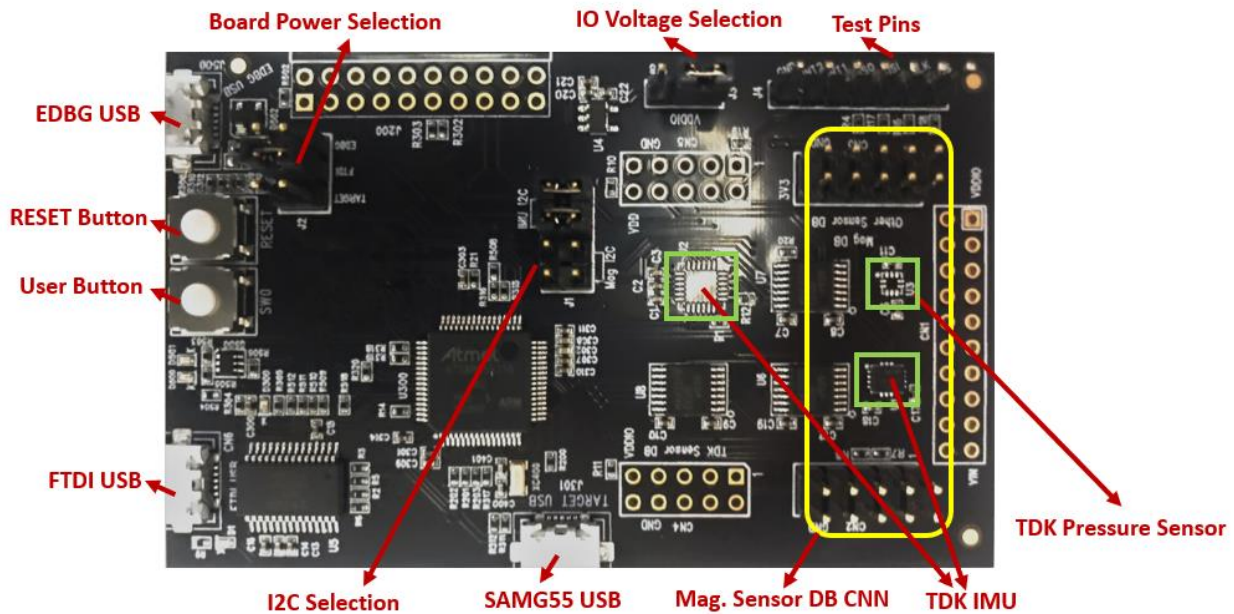


Figure 2. The SmartMotion Platform Overview

2.3. HARDWARE USER GUIDE

The TDK SmartMotion Platform Ver. G is compatible with Microchip's SAM G55 Xplained Pro. The link to the Atmel Xplained Pro user guide is here:

http://www.atmel.com/Images/Atmel-42389-SAM-G55-Xplained-Pro_User-Guide.pdf

3 SENSORS AND DEVELOPMENT KITS

The TDK SmartMotion Platform Ver. G supports multiple types of TDK IMUs and pressure sensors. The Development Kits (DKs) based on this SmartMotion Platform ver. G are listed in Table 1 below.

Important Note:

The DK boards are intended for basic sensor product evaluation and software development at Room Temperature. These boards are NOT designed to be used at any other temperature. For sensor evaluation or characterization at temperature range specified in the product datasheet, please obtain an Evaluation Board (EVB) from your TDK FAE or sales contact.

#	DK PART NUMBER	SUPPORTED SENSOR	SMT IN
1	DK-40627	ICM-40627	U1
2	DK-42370-P	ICM-42370-P	U1
3	DK-42670-P	ICM-42670-P	U1
4	DK-42686-P	ICM-42686-P	U1
5	DK-42688-P	ICM-42688-P	U1
6	DK-42688-V	ICM-42688-V	U1
7	DK-20100	ICP-20100	U3
8	DK-20670	IIM-20670	U2
9	DK-42351	IIM-42351	U1
10	DK-42352	IIM-42352	U1
11	DK-42652	IIM-42652	U1
12	DK-42653	IIM-42653	U1

Table 1. Sensors and DKs

3.1. DK-40627

The DK-40627 is the development kit (DK) for TDK IMU ICM-40627.

The ICM-40627 SmartMotion™ sensor is a 6-axis MEMS MotionTracking device that combines a 3-axis gyroscope and a 3-axis accelerometer. This device is targeted at gesture-based handheld devices such as a mouse. It comes bundled with TDK's Air Motion Library, which enables precise mouse pointing, swipe, roll, and other motion gestures. ICM-40627 has a configurable host interface that supports I²C and SPI serial communication, features a 2 KB FIFO and 2 programmable interrupts with ultra-low power wake-on-motion support to minimize system power consumption.

Please refer to the ICM-40627 datasheet for the sensor details.

The ICM-40627 can be accessed by SAMG55 MCU over I2C or SPI interface. The software will select the interface type.

The sensor I²C slave address is 0x68, and its SPI /CS = NPCS0.

The VDDIO voltage level can be set by J3 to 1.8V or 3.3V.

3.2. DK-42370-P

The DK-42370-P is the development kit (DK) for TDK IMU ICM-42370-P.

The ICM-42370-P is a high performance 3-axis MEMS MotionTracking device that has a 3-axis accelerometer.

It has a configurable host interface that supports I3CSM, I²C, and SPI serial communication, features up to 2.25 KB FIFO and 2 programmable interrupts with ultra-low power wake-on-motion support to minimize system power consumption.

Please refer to the ICM-42370-P datasheet for the sensor details.

The ICM-42370-P can be accessed by SAMG55 MCU over I²C or SPI interface. The software will select the interface type.

The sensor I2C slave address is 0x68, and its SPI /CS = NPCSO.

The VDDIO voltage level can be set by J3 to 1.8V or 3.3V.

3.3. DK-42670-P

The DK-42670-P is the development kit (DK) for TDK IMU ICM-42670-P.

The ICM-42670-P is a high performance 6-axis MEMS MotionTracking device that combines a 3-axis gyroscope and a 3-axis accelerometer. It has a configurable host interface that supports I3CSM, I²C, and SPI serial communication, features up to 2.25 KB FIFO and 2 programmable interrupts with ultra-low power wake-on-motion support to minimize system power consumption.

Please refer to the ICM-42670-P datasheet for the sensor details.

The ICM-42670-P can be accessed by SAMG55 MCU over I²C or SPI interface. The software will select the interface type.

The sensor I²C slave address is 0x68, and its SPI /CS = NPCSO.

The VDDIO voltage level can be set by J3 to 1.8V or 3.3V.

3.4. DK-42686-P

The DK-42686-P is the development kit (DK) for TDK IMU ICM-42686-P.

The ICM-42686-P is a 6-axis MEMS MotionTracking device that combines a 3-axis gyroscope and a 3-axis accelerometer. It has a configurable host interface that supports I3CSM, I²C, and SPI serial communication, features a 2 kB FIFO and 2 programmable interrupts with ultra-low-power wake-on-motion support to minimize system power consumption.

The ICM-42686-P has an extended full-scale range (FSR) of ± 4000 dps for gyroscope and $\pm 32g$ for accelerometer to support precise motion analysis for today's wearable and sports solutions, including game controllers, golf or tennis swing analyzers, intelligent soccer balls, or basketballs that track the player's performance.

Please refer to the ICM-42686-P datasheet for the sensor details.

The ICM-42686-P can be accessed by SAMG55 MCU over I²C or SPI interface. The software will select the interface type.

The sensor I²C slave address is 0x68, and its SPI /CS = NPCSO.

The VDDIO voltage level can be set by J3 to 1.8V or 3.3V.

3.5. DK-42688-P

The DK-42688-P is the development kit (DK) for TDK IMU ICM-42688-P.

The ICM-42688-P is a 6-axis MEMS MotionTracking device that combines a 3-axis gyroscope and a 3-axis accelerometer. It has a configurable host interface that supports I3CSM, I²C, and SPI serial communication, features a 2 KB FIFO and 2 programmable interrupts with ultra-low-power wake-on-motion support to minimize system power consumption.

Please refer to the ICM-42688-P datasheet for the sensor details.

The ICM-42688-P can be accessed by SAMG55 MCU over I²C or SPI interface. The software will select the interface type.

The sensor I²C slave address is 0x68, and its SPI /CS = NPCS0.

The VDDIO voltage level can be set by J3 to 1.8V or 3.3V.

3.6. DK-42688-V

The DK-42688-V is the development kit (DK) for TDK IMU ICM-42688-V.

The ICM-42688-V is a 6-axis MEMS MotionTracking device that combines a 3-axis gyroscope and a 3-axis accelerometer. It has a configurable host interface that supports I3CSM, I²C, and SPI serial communication, features a 2 KB FIFO and 2 programmable interrupts with ultra-low-power wake-on-motion support to minimize system power consumption. It is bundled with 3DoF algorithm software.

Please refer to the ICM-42688-V datasheet for the sensor details.

The ICM-42688-V can be accessed by SAMG55 MCU over I²C or SPI interface. The software will select the interface type.

The sensor I²C slave address is 0x68, and its SPI /CS = NPCS0.

The VDDIO voltage level can be set by J3 to 1.8V or 3.3V.

3.7. DK-20100

The DK-20100 is the development kit (DK) for TDK pressure sensor ICP-20100.

The ICP-20100 pressure sensor provides a high-accuracy, low power barometric pressure and temperature sensor solution that integrates a capacitive pressure sensor for monitoring pressure changes in the range of 30 to 110 kPa.

Please refer to the ICP-20100 datasheet for the sensor details.

The ICP-20100 can be accessed by SAMG55 MCU over I²C or SPI interface. The software will select the interface type.

The sensor I²C slave address is 0x63, and its SPI /CS = NPCS0.

The VDDIO voltage level can be set by J3 to 1.8V or 3.3V.

3.8. DK-20670

The DK-20670 is the development kit (DK) for TDK IMU IIM-20670.

The IIM-20670 is an Industrial grade 6-axis MotionTracking™ device that combines a 3-axis gyroscope and a 3-axis accelerometer in a small 4.5x4.5x1.1 mm (24-pin DQFN). There are two built-in temperature sensors. It uses an SPI digital interface.

Please refer to the IIM-20670 datasheet for the sensor details.

The IIM-20670 is connected to SAMG55 MCU SPI with NPCSO.

The digital interface voltage level is 3.3V on the DK-20670. J3 for VDDIO selection must be set to pins 1-2 for 3.3V.

3.9. DK-42351

The DK-42351 is the development kit (DK) for TDK 3x Accel IIM-42351.

The IIM-42351 is a 3-axis accelerometer packaged in a small 2.5 mm x 3 mm x 0.91 mm (14-pin LGA) package. It has an output data rate up to 8 kHz. The IIM-42351 includes multiple capabilities to enable easy, robust, and accurate inertial and inclination measurements in Industrial applications. It has a 2 KB FIFO that can lower the traffic on the serial bus interface and reduce power consumption by allowing the system processor to burst read sensor data and then go into a low-power mode. Its operation temperature range is -40°C to 105°C.

Please refer to the IIM-42351 datasheet for the sensor details.

The IIM-42351 can be accessed by SAMG55 MCU over I²C or SPI interface. The software will select the interface type.

The sensor I²C slave address is 0x68, and its SPI /CS = NPCSO.

The VDDIO level can be set by J3 to 1.8V or 3.3V.

3.10. DK-42352

The DK-42352 is the development kit (DK) for TDK 3x Accel IIM-42352.

The IIM-42352 is a 3-axis accelerometer packaged in a small 2.5 mm x 3 mm x 0.91 mm (14-pin LGA) package. It has a wide and flat frequency response range from dc to 4 kHz (± 3 dB point) with an output data rate up to 32 kHz. The IIM-42352 includes multiple capabilities to enable easy, robust, and accurate inertial and vibration measurements in Industrial applications. It has a 2 KB FIFO that can lower the traffic on the serial bus interface and reduce power consumption by allowing the system processor to burst read sensor data and then go into a low-power mode. Its operation temperature range is -40°C to 105°C.

Please refer to the IIM-42352 datasheet for the sensor details.

The IIM-42352 can be accessed by SAMG55 MCU over I²C or SPI interface. The software will select the interface type.

The sensor I²C slave address is 0x68, and its SPI /CS = NPCSO.

The VDDIO level can be set by J3 to 1.8V or 3.3V.

3.11. DK-42652

The DK-42652 is the development kit (DK) for TDK IMU IIM-42652.

The IIM-42652 is a 6-axis SmartIndustrial™ MotionTracking device that supports an extended operating temperature range. The IIM-42652 combines a 3-axis gyroscope and a 3-axis accelerometer in a small 2.5 mm x 3 mm x 0.91 mm (14-pin LGA) package. It also features a 2 KB FIFO that can lower the traffic on the serial bus interface and reduce power consumption by allowing the system processor to burst read sensor data and then go into a low-power mode. Its operation temperature range is -40°C to 105°C.

Please refer to the IIM-42652 datasheet for the sensor details.

The IIM-42652 can be accessed by SAMG55 MCU over I²C or SPI interface. The software will select the interface type.

The sensor I²C slave address is 0x68, and its SPI /CS = NPCSO.

The VDDIO level can be set by J3 to 1.8V or 3.3V.

3.12. DK-42653

The DK-42653 is the development kit (DK) for TDK IMU IIM-42653.

The IIM-42653 is a 6-axis SmartIndustrial™ MotionTracking device that supports an extended operating temperature range and full-scale range (FSR) of ±4000 dps for gyroscope and ±32g for accelerometer. The IIM-42653 combines a 3-axis gyroscope and a 3-axis accelerometer in a small 2.5 mm x 3 mm x 0.91 mm (14-pin LGA) package. It also features a 2 KB FIFO that can lower the traffic on the serial bus interface and reduce power consumption by allowing the system processor to burst read sensor data and then go into a low-power mode. Its operation temperature range is -40°C to 105°C.

Please refer to the IIM-42653 datasheet for the sensor details.

The IIM-42653 can be accessed by SAMG55 MCU over I²C or SPI interface. The software will select the interface type.

The sensor I²C slave address is 0x68, and its SPI /CS = NPCSO.

The VDDIO level can be set by J3 to 1.8V or 3.3V.

3.13. MAGNETIC SENSORS CONNECTION

Third party magnetic sensors can be connected to the same SAMG55 MCU I²C bus with TDK sensor through a daughter board (DB), assuming it has a different slave address.

CN2/3 are designed for the magnetic sensor DB plug in. It only supports I²C.

Refer to TDK 9X Development Kits User Guide (AN-000455) for recommended Magnetic DB options.

4 THE SMARTMOTION SYSTEM DESIGN

This section is a system design overview and addresses MCU SAMG55 resource allocation.

4.1. SYSTEM BLOCK DIAGRAM

On board EDBG MCU AT32UC3A4256HHB-C1UR allows user to do main MCU SAMG55 debug, trace, and programming without using external tools. Figure 3 shows the system block diagram.

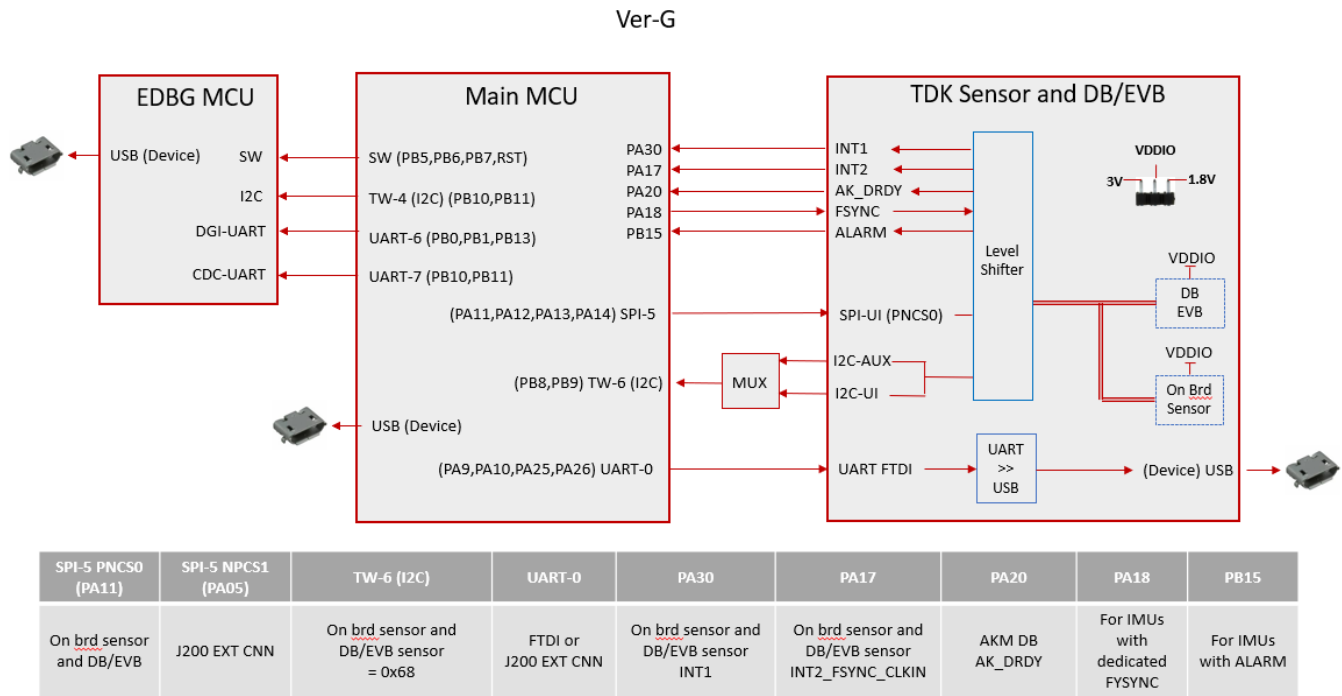


Figure 3. System Block Diagram

4.2. MAIN MCU SAMG55 RESOURCE ALLOCATION

SAMG55 RESOURCE	USAGE
UART 0 (PA9/10/25/26)	The UART0 is connected to FTDI input by default. In the use case of Extension-1 on J200, the UART0 to FTDI connection can be disconnected through jumper J3.
TW6 (I2C) (PB8/9)	TDK sensor is connected to this master I2C. On board sensor slave address = 0x69. Sensors on DB and EVB have slave address = 0x68.
SPI5 (PA11/12/13/14)	The SPI5 master is connected to TDK IMU sensor. On board IMU sensor /CS = PNCS0
GPIO (INTs) PA17/18/20/30 and PB15	The GPIOs are used for sensor interrupt inputs and other intelligent functions. Refer to the table in Figure 3.
TW4 (I2C)	The master I2C communicates with EDBG MCU slave I2C.
UART6	The UART6 is used for EDBG DGI-UART interface.
UART7	The UART7 is used for EDBG CDC-UART interface.

Table 2. SAMG55 Resource Allocation

4.3. CONNECTORS

Error! Reference source not found. details the TDK SmartMotion Platform Ver. G connector and header reference names and descriptions.

CONNECTOR REF NAME	CONNECTOR FUNCTION DESCRIPTIONS
CN1 (Not loaded)	
CN2/CN3	Daughter board connector for Mag. sensor. I ² C interface only.
CN4/CN5 (Not loaded)	
CN6	USB connector for FTDI USB to serial UART interface
J1	Select host I ² C connections, for IMU sensor and mag. sensor or mag. sensor only.
J2	Board power source selection.
J3	Select VDDIO voltage level, 3V0 or 1V8.
J4	Digital signal test pins
J200 (Not loaded)	Extension header 1. Has same function as J200 on Microchip's Xplained-Pro board.
J301	MCU SAMG55 USB connector
J500	EDBG MCU USB connector
SW300	User button
SW301	RESET button.

Table 3. Connectors

4.4. JUMPER SETTINGS

JUMPER	DESCRIPTION
J1	J1 is used to select input source for SAMG55 master I ² C. Only two jumper shunts are allowed. Jumper shunts on pin-1/2 and 3/4: IMU Sensor primary I ² C is connected to SAMG55 I ² C master Jumper shunts on pin-5/6 and 7/8: Magnetic Sensor I ² C is connected to SAMG55 I ² C master. In this configuration TDK IMU Sensor is connected to SAMG55 SPI master.
J2	The J2 is for board power source selection. Only one jumper shunt is allowed. Jumper shunts on pin-1/2: board power is from EDDBG USB on J500. Jumper shunts on pin-3/4: board power is from FTDI USB on CN6 Jumper shunts on pin-5/6: board power is from SAMG55 USB on J301
J3	J3 is for system VDDIO level selection. Jumper shunts on pin-1/2: VDDIO=3V0 Jumper shunts on pin-3/2: VDDIO=1V8
J4	J4 have digital signals as test points. Pin-1: SPI /CS Pin-2: SPI SCLK, I ² C SCL Pin-3: SPI MOSI, I ² C SDA Pin-4: SPI MISO, I ² C ADO Pin-5: INT1 Pin-6: INT2 Pin-7: GND

Table 4. Jumper Setting

5 SCHEMATICS AND BOARD PCB

5.1. SCHEMATICS

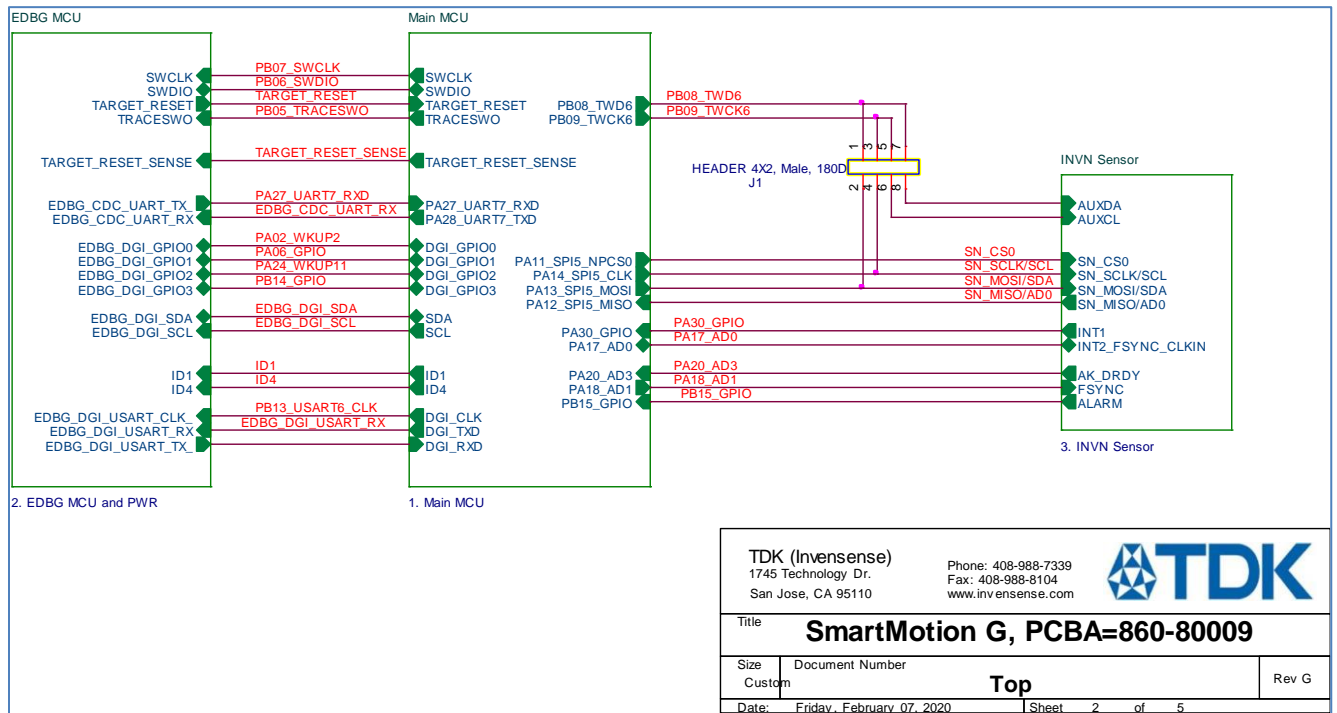


Figure 4. Hierarchy Top

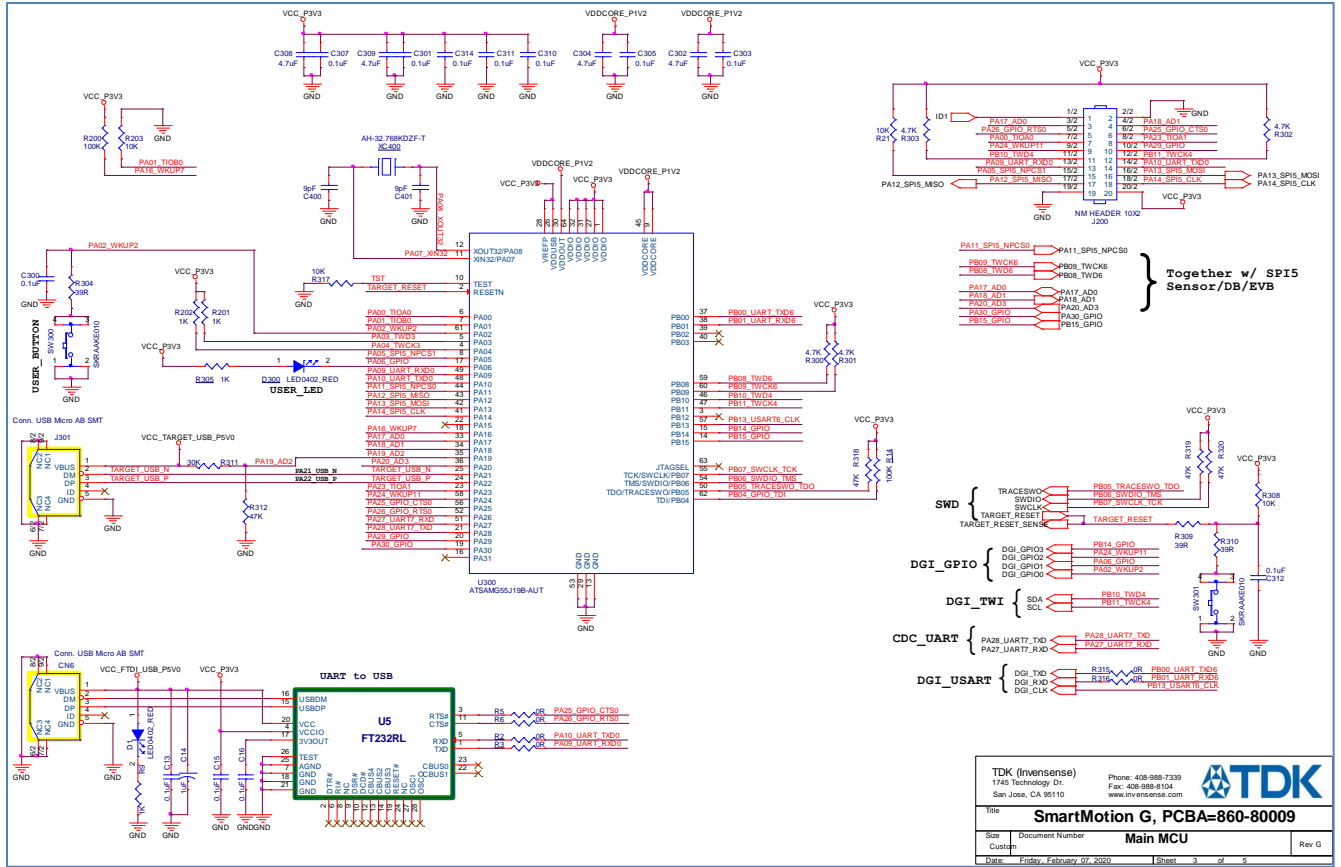


Figure 5. Main MCU

TDK (Invensense) Phone: 408-998-7339
1745 Technology Dr. Fax: 408-998-8104
San Jose, CA 95110 www.invensense.com

TDK

Title: **SmartMotion G, PCBA-860-80009**

Doc: Document Number	Main MCU	Rev G
Date: Friday, February 07, 2020	Sheet 3 of 5	

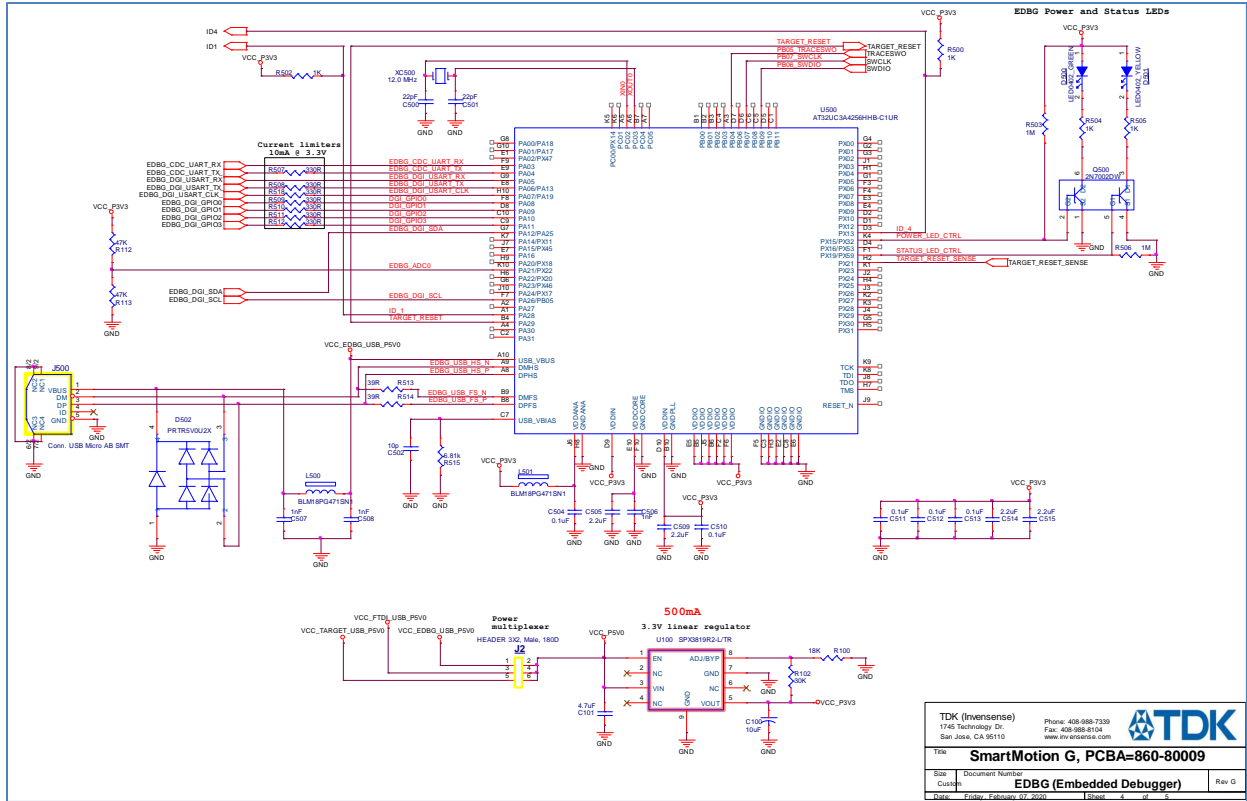


Figure 6. Embedded Debugger

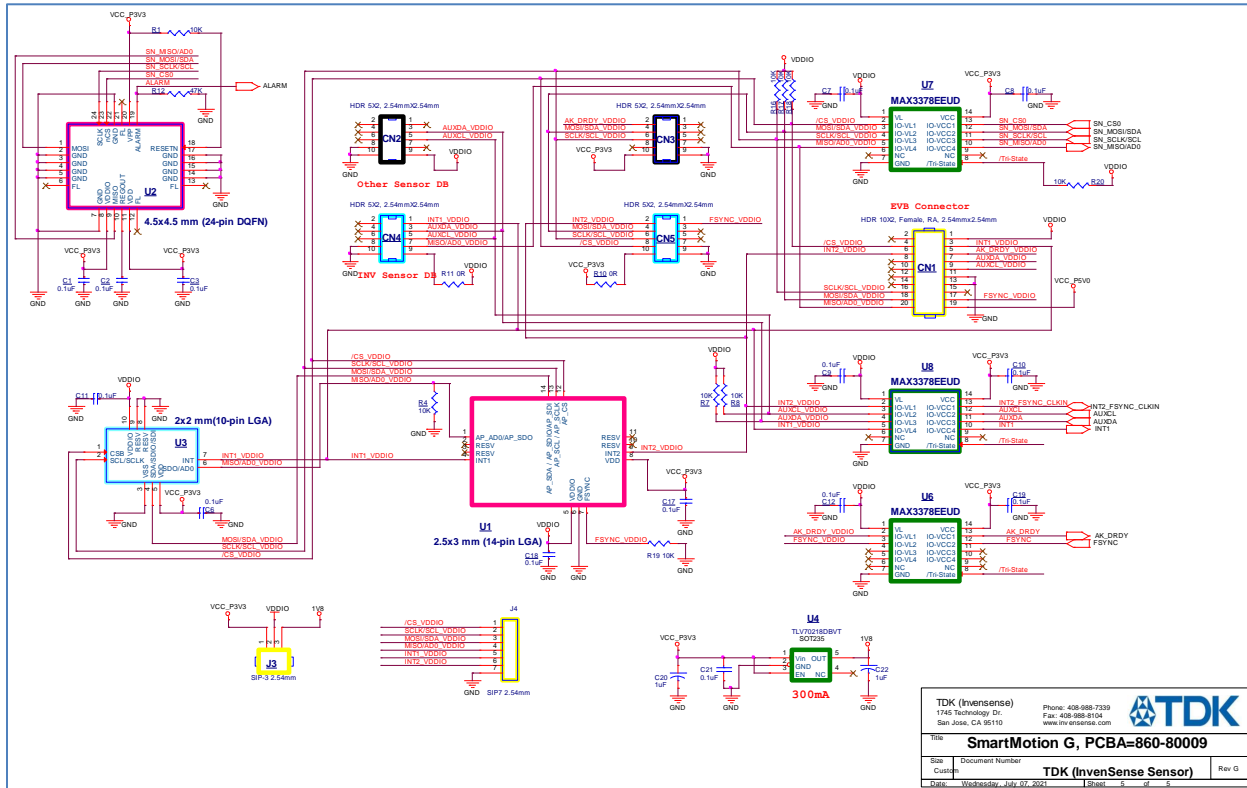


Figure 7. Sensors, DB and EVB connectors

5.2. BOARD PCB

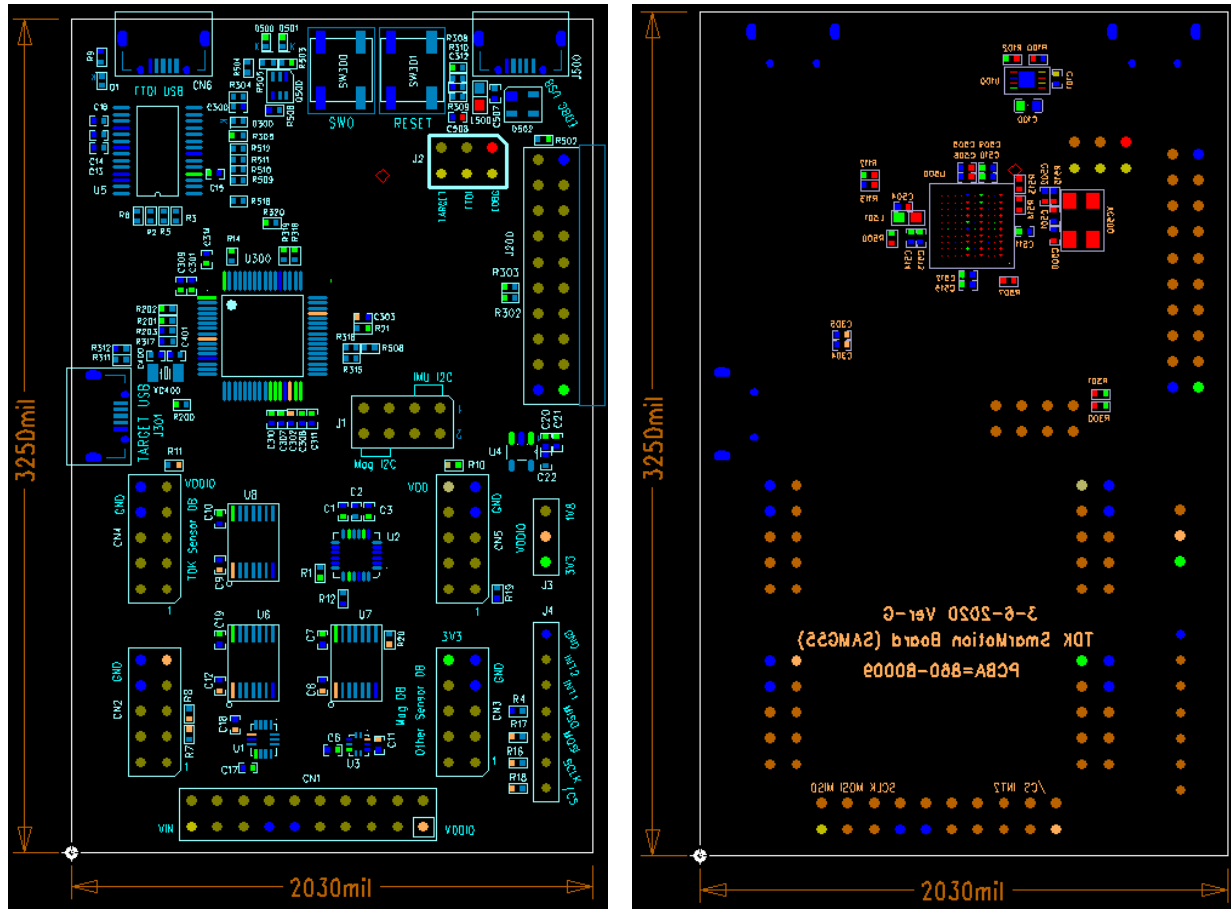


Figure 8. Ver. G PCB Top view (left) and Bottom view (right)

6 REVISION HISTORY

REVISION DATE	REVISION	DESCRIPTION
07/07/2021	1.0	Initial Release
12/12/2022	1.1	Format update, added DK_IIM-42653
02/16/2024	1.2	Updated and reorganized section 3: <ul style="list-style-type: none">• Added important note• Added DK-42372-P and corrected DK-42653 PN in table 1• Fixed minor typos

7 DECLARATION DISCLAIMER

InvenSense believes the environmental and other compliance information given in this document to be correct but cannot guarantee accuracy or completeness. Conformity documents substantiating the specifications and component characteristics are on file. InvenSense subcontracts manufacturing, and the information contained herein is based on data received from vendors and suppliers, which has not been validated by InvenSense.

This information furnished by InvenSense or its affiliates (“TDK InvenSense”) is believed to be accurate and reliable. However, no responsibility is assumed by TDK InvenSense for its use, or for any infringements of patents or other rights of third parties that may result from its use. Specifications are subject to change without notice. TDK InvenSense reserves the right to make changes to this product, including its circuits and software, in order to improve its design and/or performance, without prior notice. TDK InvenSense makes no warranties, neither expressed nor implied, regarding the information and specifications contained in this document. TDK InvenSense assumes no responsibility for any claims or damages arising from information contained in this document, or from the use of products and services detailed therein. This includes, but is not limited to, claims or damages based on the infringement of patents, copyrights, mask work and/or other intellectual property rights.

Certain intellectual property owned by InvenSense and described in this document is patent protected. No license is granted by implication or otherwise under any patent or patent rights of InvenSense. This publication supersedes and replaces all information previously supplied. Trademarks that are registered trademarks are the property of their respective companies. TDK InvenSense sensors should not be used or sold in the development, storage, production, or utilization of any conventional or mass-destructive weapons or for any other weapons or life-threatening applications, as well as in any other life critical applications such as medical equipment, transportation, aerospace and nuclear instruments, undersea equipment, power plant equipment, disaster prevention and crime prevention equipment.

©2021–2024 InvenSense. All rights reserved. InvenSense, SmartMotion, SmartIndustrial, SmartSonic, SmartAutomotive, SmartRobotics, SmartSound, SmartPressure, MotionProcessing, MotionProcessor, UltraPrint, MotionTracking, CHIRP Microsystems, SmartBug, SonicLink, Digital Motion Processor, AAR, and the InvenSense logo are registered trademarks of InvenSense, Inc. The TDK logo is a trademark of TDK Corporation. Other company and product names may be trademarks of the respective companies with which they are associated.



©2021–2024 InvenSense. All rights reserved.