

4

3

2

1

THIS DRAWING IS UNPUBLISHED.

RELEASED FOR PUBLICATION

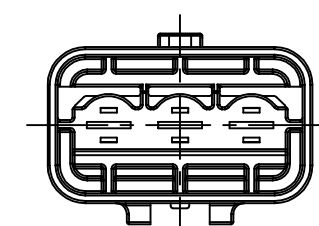
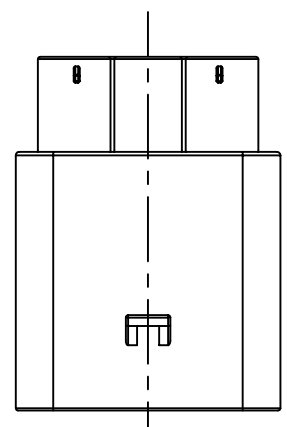
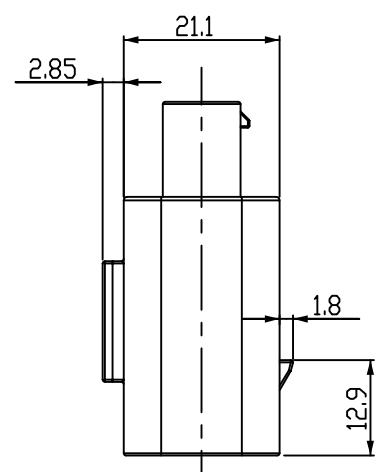
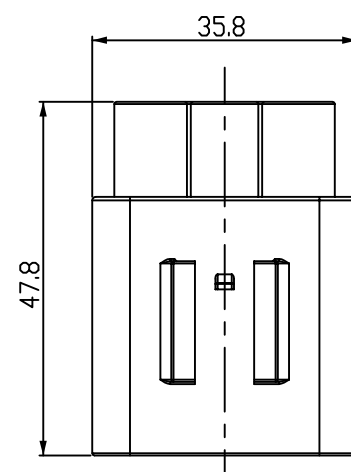
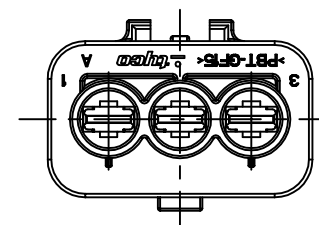
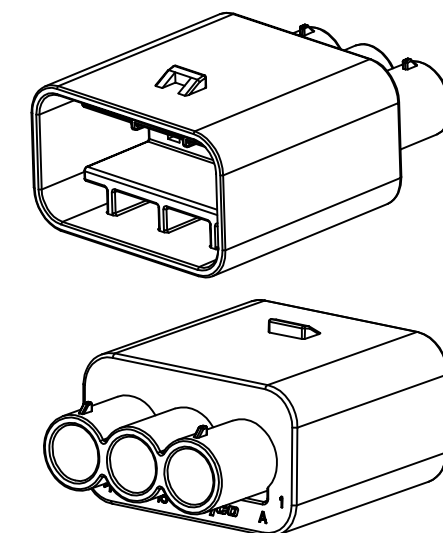
2015

© COPYRIGHT 2006 BY TE CONNECTIVITY

ALL RIGHTS RESERVED.

REVISIONS

P	LTR	DESCRIPTION	DATE	DWN	APVD
	A1	REVISED (ECR-15-008546)	09.JUN.15	JM	HG



- NOTES
 1. APPLICABLE WIRE COVER HSG P/N : 1743274-X
 2. GENERAL TOLERANCE : ±0.3, ±3°
 3. APPLICABLE TAB CONTACT P/N :

CONTACT	SPT TERMINAL		
P/N	964310	964312	964314
WIRE SIZE(mm) ²	0.5~1.0	1.5~2.5	2.5~4.0

4. APPLICABLE WIRE SEAL P/N :

PART NO.	WIRE INSULATION DIAMETER(mm)	COLOR
963243-1	1.4~2.1	BLUE
963244-1	2.2~3.0	WHITE
963245-1	3.4~3.7	YELLOW
100132-1	CAVITY PLUG	BLACK

(A1)	1	BLACK	PBT-GF15	CAP HSG	1743757-2
	NO.	COLOR/FINISH	MATERIAL	DESCRIPTION	P/N

THIS DRAWING IS A CONTROLLED DOCUMENT.		DWN JM JEON			
DIMENSIONS: mm		CHK JW JUNG			
TOLERANCES UNLESS OTHERWISE SPECIFIED:		APVD HG CHO	NAME CAP HSG FOR SPT SEALED 3POS CONN'R		
0 PLC ±		PRODUCT SPEC	SIZE		
1 PLC ±		APPLICATION SPEC	CAGE CODE		
2 PLC ±		WEIGHT	DRAWING NO		
3 PLC ±		CUSTOMER DRAWING	RESTRICTED TO		
4 PLC ±			A3 00779 C-1743757		
ANGLES ±			SCALE 1:1		
FINISH			SHEET 1 OF 1		
SEE TABLE			REV A1		