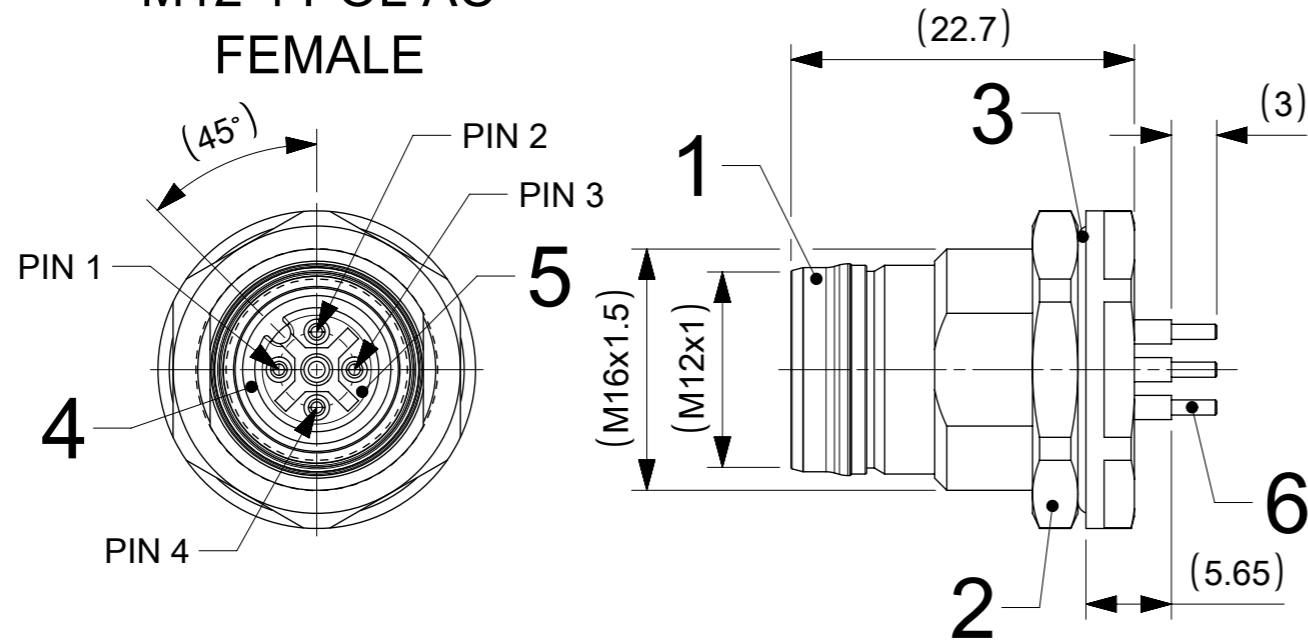
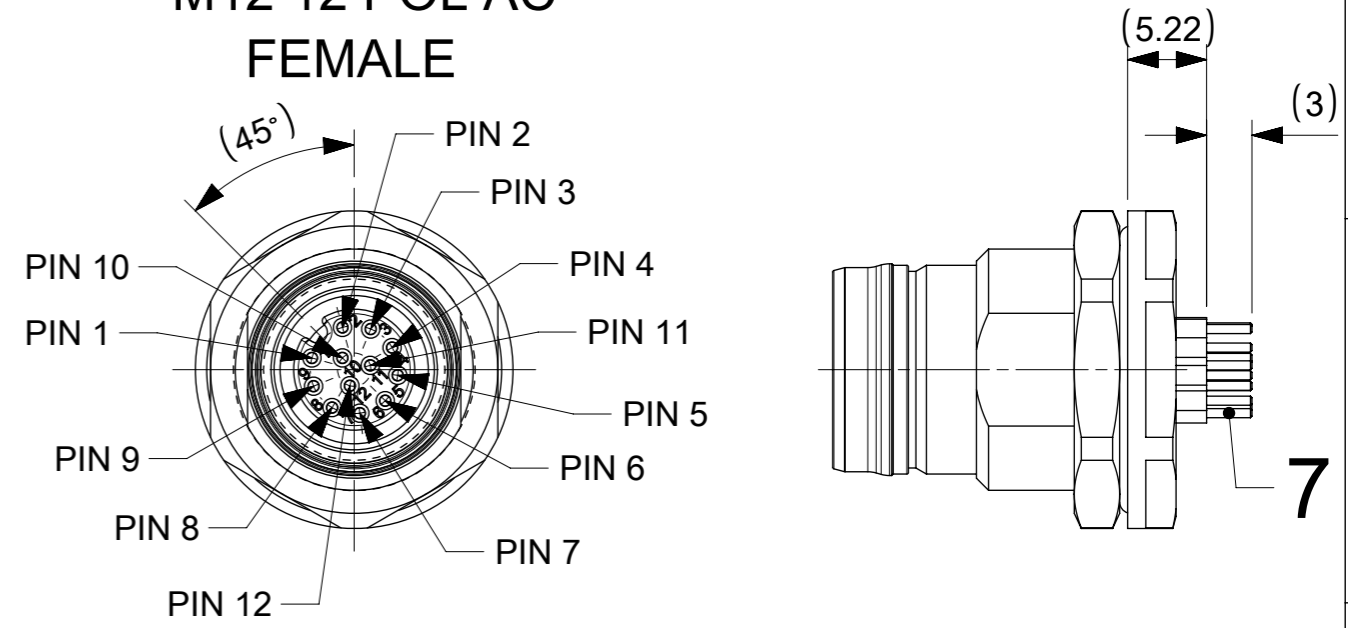


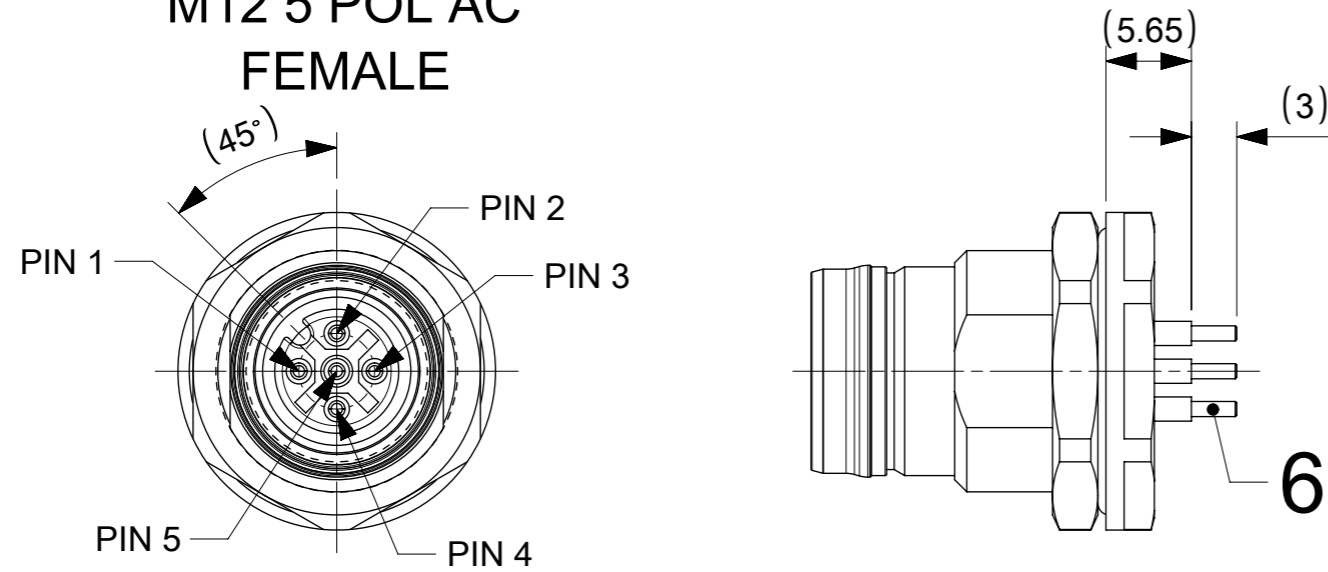
M12 4 POL AC FEMALE



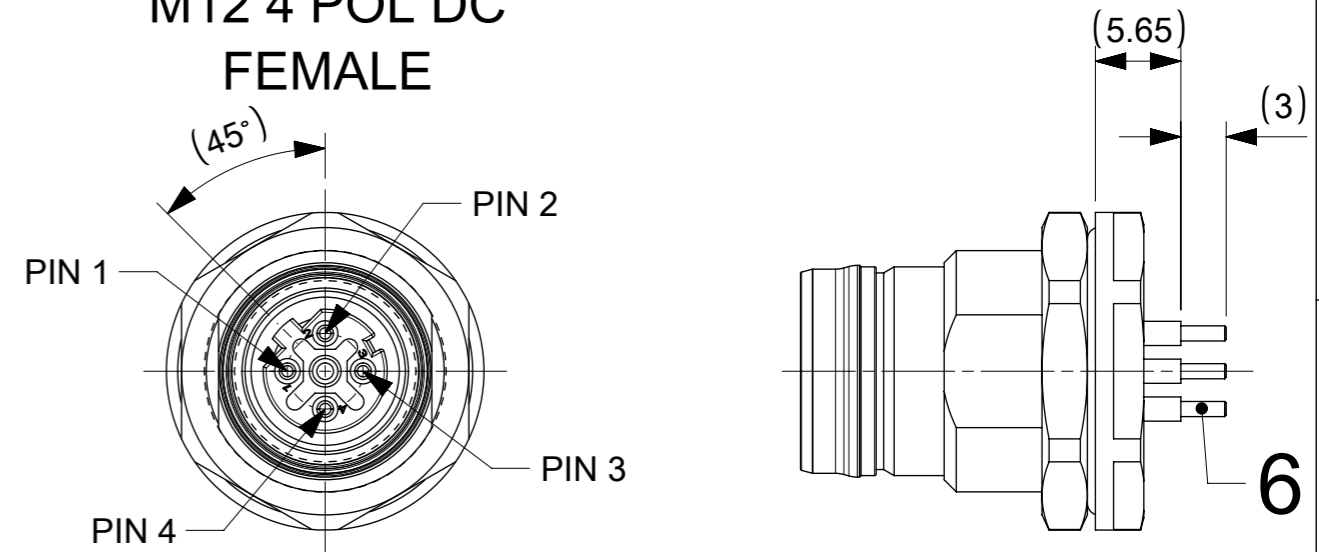
M12 12 POL AC FEMALE



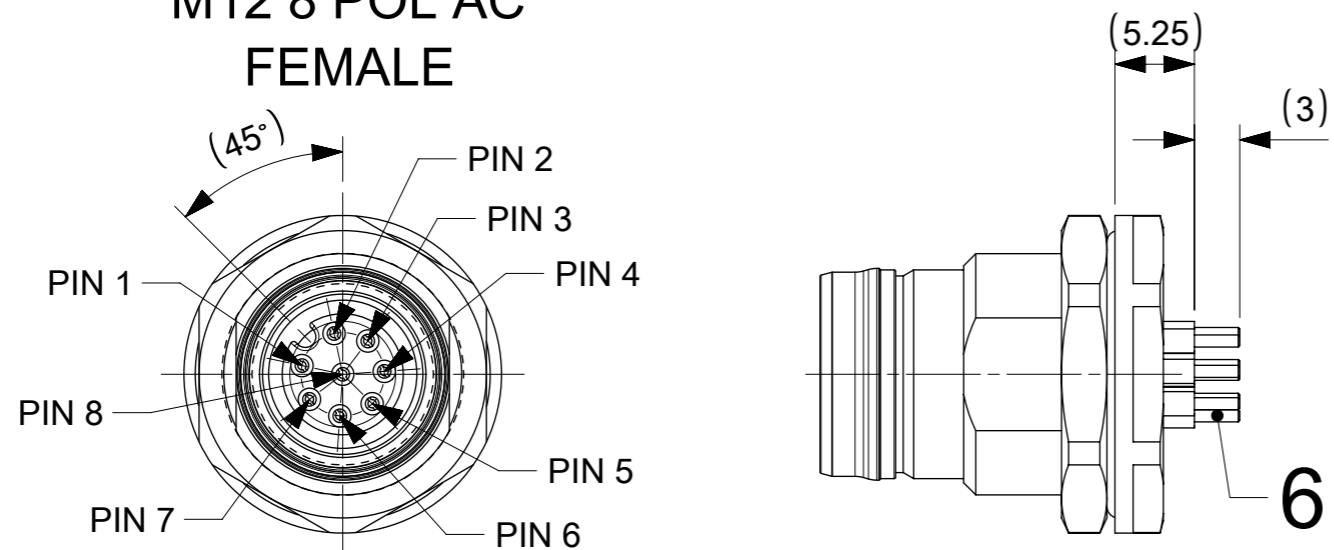
M12 5 POL AC FEMALE



M12 4 POL DC FEMALE



M12 8 POL AC FEMALE



THIS DRAWING CONTAINS INFORMATION THAT IS PROPRIETARY TO MOLEX ELECTRONIC TECHNOLOGIES, LLC AND SHOULD NOT BE USED WITHOUT WRITTEN PERMISSION																										
FUNCTIONAL SYMBOLS	DIMENSION UNITS	SCALE	CURRENT REV DESC: CHANGED MIN. TEMP. IN TABLE																							
$\nabla_A = 0$	mm	2:1	<table border="1"> <tr> <td colspan="3" style="text-align: center;">molex</td> </tr> <tr> <td colspan="3" style="text-align: center;">REC U12 XP XC FE M16 BM SOL BRASS NI</td> </tr> <tr> <td colspan="3" style="text-align: center;">PRODUCT CUSTOMER DRAWING</td> </tr> <tr> <td>DOCUMENT NUMBER</td> <td>DOC TYPE</td> <td>DOC PART</td> <td>REVISION</td> </tr> <tr> <td style="text-align: center;">1204040006</td> <td style="text-align: center;">PSD</td> <td style="text-align: center;">000</td> <td style="text-align: center;">A1</td> </tr> </table>							molex			REC U12 XP XC FE M16 BM SOL BRASS NI			PRODUCT CUSTOMER DRAWING			DOCUMENT NUMBER	DOC TYPE	DOC PART	REVISION	1204040006	PSD	000	A1
molex																										
REC U12 XP XC FE M16 BM SOL BRASS NI																										
PRODUCT CUSTOMER DRAWING																										
DOCUMENT NUMBER	DOC TYPE	DOC PART								REVISION																
1204040006	PSD	000	A1																							
GENERAL TOLERANCES (UNLESS SPECIFIED)																										
ANGULAR TOL $\pm 1.0^\circ$																										
4 PLACES \pm																										
3 PLACES \pm																										
2 PLACES ± 0.05																										
1 PLACE ± 0.3																										
0 PLACES ± 0.5																										
DIVISIONAL SYMBOLS	DRAFT WHERE APPLICABLE MUST REMAIN WITHIN DIMENSIONS		THIRD ANGLE PROJECTION		DRAWING	SERIES	MATERIAL NUMBER	CUSTOMER	SHEET NUMBER																	
					A3-SIZE	120404	SEE TABLE	GENERAL MARKET	1 OF 3																	

TABLE 1 - 4P A-CODE

ITEM	QTY	DESCRIPTION	MATERIAL	FINISH/COLOR
1	1	SHELL M16 FE BRASS BM L22.7 NI REC U12	BRASS	Ni
2	1	M16 X 1.5 LOCKNUT NICKEL PLATED		
3	1	GASKET OR EPDM 16X1.5 BK 70	EPDM	BLACK
4	1	GASKET OR FPM 7.1X1.35 RD 60	FPM	RED
5	1	INSERT M12 FE 4P AC TPU BK UNSH	TPU	BLACK
6	4	M12 FEMALE PCB CONTACT	BRASS	Au
7	-	POTTING MATERIAL	-	-

TABLE 2 - 5P A-CODE

ITEM	QTY	DESCRIPTION	MATERIAL	FINISH/COLOR
1	1	SHELL M16 FE BRASS BM L22.7 NI REC U12	BRASS	Ni
2	1	M16 X 1.5 LOCKNUT NICKEL PLATED		
3	1	GASKET OR EPDM 16X1.5 BK 70	EPDM	BLACK
4	1	GASKET OR FPM 7.1X1.35 RD 60	FPM	RED
5	1	INSERT M12 FE 5P AC TPU BK UNSH	TPU	BLACK
6	5	M12 FEMALE PCB CONTACT	BRASS	Au
7	-	POTTING MATERIAL	-	-

TABLE 3 - 8P A-CODE

ITEM	QTY	DESCRIPTION	MATERIAL	FINISH/COLOR
1	1	SHELL M16 FE BRASS BM L22.7 NI REC U12	BRASS	Ni
2	1	M16 X 1.5 LOCKNUT NICKEL PLATED		
3	1	GASKET OR EPDM 16X1.5 BK 70	EPDM	BLACK
4	1	GASKET OR FPM 7.1X1.35 RD 60	FPM	RED
5	1	INSERT M12 FE 8P AC REC PUR BK UNSH	PUR	BLACK
6	8	M12-Fem-Contact Sdr	BRASS	Au
7	-	POTTING MATERIAL	-	-

PART LIST 4P AC

MOLEX P/N	ENGINEERING NUMBER	DESCRIPTION
1204040006	YR4U40000	REC U12 4P AC FE M16 BM SOL BRASS NI

PART LIST 5P AC

MOLEX P/N	ENGINEERING NUMBER	DESCRIPTION
1204040007	YR5U40000	REC U12 5P AC FE M16 BM SOL BRASS NI

PART LIST 8P AC

MOLEX P/N	ENGINEERING NUMBER	DESCRIPTION
1204040008	YR8U40000	REC U12 8P AC FE M16 BM SOL BRASS NI

TABLE 4 - 12P A-CODE

ITEM	QTY	DESCRIPTION	MATERIAL	FINISH/COLOR
1	1	SHELL M16 FE BRASS BM L22.7 NI REC U12	BRASS	Ni
2	1	M16 X 1.5 LOCKNUT NICKEL PLATED		
3	1	GASKET OR EPDM 16X1.5 BK 70	EPDM	BLACK
4	1	GASKET OR FPM 7.1X1.35 RD 60	FPM	RED
5	1	INSERT M12 FE 12P AC PUR BK SHD	PUR	BLACK
6	1	M12S-FRONT SHELL-FEMALE SHIELD	BRASS	Ni
7	12	CONTACT 06 FE TUR AU SO L25.3 PCB M12		Au
8	-	POTTING MATERIAL	-	-

TABLE 5 - 4P D-CODE


ITEM	QTY	DESCRIPTION	MATERIAL	FINISH/COLOR
1	1	SHELL M16 FE BRASS BM L22.7 NI REC U12	BRASS	Ni
2	1	M16 X 1.5 LOCKNUT NICKEL PLATED		
3	1	GASKET OR EPDM 16X1.5 BK 70	EPDM	BLACK
4	1	GASKET OR FPM 7.1X1.35 RD 60	FPM	RED
5	1	INSERT M12 FE 4P DC CSE PUR BK UNSH	PUR	BLACK
6	4	M12 FEMALE PCB CONTACT	BRASS	Au
7	-	POTTING MATERIAL	-	-

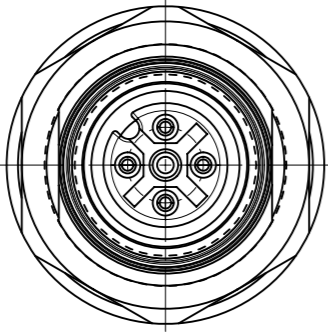
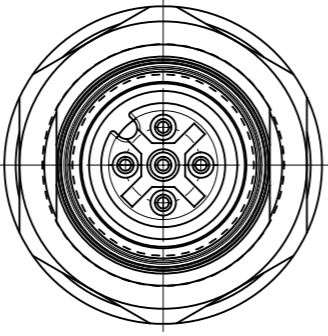
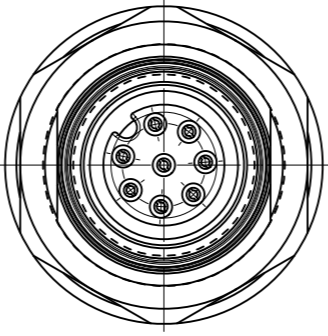
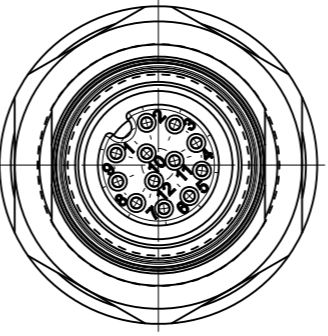
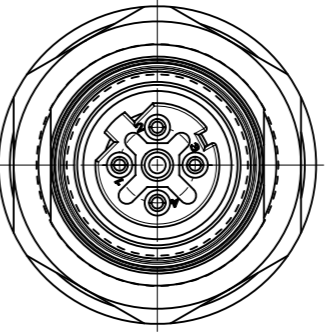
PART LIST 12P AC

MOLEX P/N	ENGINEERING NUMBER	DESCRIPTION
1204040009	YRCU40000	REC U12 12P AC FE M16 BM SOL BRASS NI

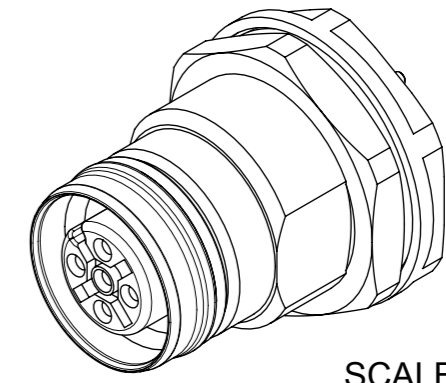
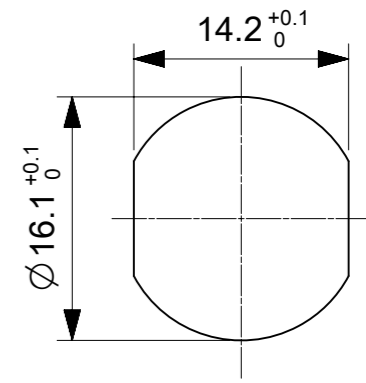
PART LIST 4P DC

MOLEX P/N	ENGINEERING NUMBER	DESCRIPTION
1204062001	ERYD2U40000	REC U12 4P DC FE M16 BM SOL BRASS NI

FUNCTIONAL SYMBOLS	THIS DRAWING CONTAINS INFORMATION THAT IS PROPRIETARY TO MOLEX ELECTRONIC TECHNOLOGIES, LLC AND SHOULD NOT BE USED WITHOUT WRITTEN PERMISSION			
	DIMENSION UNITS: mm SCALE: 2:1	CURRENT REV DESC: CHANGED MIN. TEMP. IN TABLE		
DIVISIONAL SYMBOLS	GENERAL TOLERANCES (UNLESS SPECIFIED)		REC U12 XP XC FE M16 BM SOL BRASS NI PRODUCT CUSTOMER DRAWING	
	ANGULAR TOL ± 1.0° 4 PLACES ± 3 PLACES ± 2 PLACES ± 0.05 1 PLACE ± 0.3 0 PLACES ± 0.5	EC NO: 736602 DRWN: RSCHIEBER 2023/01/30 CHK'D: RSILLER 2023/01/31 APPR: RSILLER 2023/01/31		DOCUMENT NUMBER: 1204040006 DOC TYPE: PSD DOC PART: 000 REVISION: A1
DRAFT WHERE APPLICABLE MUST REMAIN WITHIN DIMENSIONS		THIRD ANGLE PROJECTION	DRAWING: A3-SIZE	SERIES: 120404
			MATERIAL NUMBER: SEE TABLE	CUSTOMER: GENERAL MARKET
				SHEET NUMBER: 2 OF 3

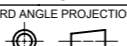
POLES	4 POLE	5 POLE	8 POLE	12 POLE	4 POLE
LAYOUT					
VOLTAGE RATING	250V	60V	30V	30V	250V
CODING	A - Code	A - Code	A - Code	A - Code	D - Code
AMPERE RATING	4A	4A	2A	1.5A	4A
PROTECTION CLASS CONNECTOR INTERFACE SHELL TO ENCLOSURE	IP 67/69K (in mated condition / when properly installed)				
OPERATING TEMP.	-40°C / 85°C				
UL CERTIFICATION	FILE NO. E152210				
CSA CERTIFICATION	FILE NO. LR6837				
WIRE LEAD	0.34 mm ² PVC	0.34 mm ² PVC	0.25 mm ² PVC	0.14 mm ² PVC	0.34 mm ² PVC
PIN DIAMETER	1.0 mm	1.0 mm	0.8 mm	0.6 mm	1.0 mm
WIRE COLOR	ACCORDING TO IEC 60947-5-2		ACCORDING TO DIN 47100		ACC. TO IEC 60947-5-2

RECOMMENDED PANEL CUTOUT



SCALE 2:1

NOTE:
 1. PANEL THICKNESS MAX. 6.2mm
 2. PACKAGING: 40 PC RECEPTACLES ARE PACKED IN ONE TRAY
 AND 6 TRAYS ARE PACKED IN ONE CARDBOARD BOX

FUNCTIONAL SYMBOLS	THIS DRAWING CONTAINS INFORMATION THAT IS PROPRIETARY TO MOLEX ELECTRONIC TECHNOLOGIES, LLC AND SHOULD NOT BE USED WITHOUT WRITTEN PERMISSION		CURRENT REV DESC: CHANGED MIN. TEMP. IN TABLE		molex			
	mm	1:1						
DIVISIONAL SYMBOLS	GENERAL TOLERANCES (UNLESS SPECIFIED)		EC NO: 736602		REC U12 XP XC FE M16 BM SOL BRASS NI			
	ANGULAR TOL ± 1.0°		DRWN: RSCHIEBER		2023/01/30			
	4 PLACES ±		CHK'D: RSILLER		2023/01/31			
	3 PLACES ±		APPR: RSILLER		2023/01/31			
	2 PLACES ± 0.05		INITIAL REVISION:		PRODUCT CUSTOMER DRAWING			
1 PLACE ± 0.3		DRWN: FDAFERNER		DOCUMENT NUMBER		DOC TYPE	DOC PART	REVISION
0 PLACES ± 0.5		APPR: RSILLER		1204040006		PSD	000	A1
DRAFT WHERE APPLICABLE MUST REMAIN WITHIN DIMENSIONS		THIRD ANGLE PROJECTION	DRAWING	SERIES	MATERIAL NUMBER	CUSTOMER		SHEET NUMBER
			A3-SIZE	120404	SEE PART LIST	GENERAL MARKET		3 OF 3