

2.0×1.6mm



RoHS Compliant

Features

- Miniature SMD type (2.0×1.6×0.8mm)
- Freq. temp. characteristics:
: ±2.0×10⁻⁶/ -30 to +85°C
: ±0.5×10⁻⁶/ -30 to +85°C (for GPS)
- 1.68 to 3.63V available
- Reflow compatible
- Operating Temp. -40 to +105°C (Option)
- Ultra low supply current 800µA typ. Conditions of 26MHz and 1.0Vp-p (Option)
- Disable Function (Option)
- AEC-Q200 qualified
- AEC-Q100 qualified (Option)

Applications

- Mobile Communications, W-LAN
- Low power radio communications
- GPS Unit

How to Order

KT2016K 26000 □ □ □ □ □ □ □ □ XX
 ① ② ③ ④ ⑤ ⑥ ⑦ ⑧

- ① Series
 - ② Output Frequency
 - ③ Freq. Temp. Chrst.
 - ④ Lower Operating Temp.
 - ⑤ Upper Operating Temp.
 - ⑥ Supply Voltage
 - ⑦ Voltage Control Function
 - ⑧ Individual Specification
- | | | | |
|-----------|------|-----------|------|
| 18 | 1.8V | 28 | 2.8V |
| 30 | 3.0V | 33 | 3.3V |
- | | |
|----------|-----------------------|
| A | ±0.5×10 ⁻⁶ |
| B | ±1.0×10 ⁻⁶ |
| C | ±1.5×10 ⁻⁶ |
| D | ±2.0×10 ⁻⁶ |
- | | |
|----------|-------|
| C | -30°C |
| E | -20°C |
| G | -10°C |
- | | |
|----------|-------|
| W | +85°C |
| V | +80°C |
| U | +75°C |
- | | |
|--------------------|--------|
| T | TCXO |
| Spec. Code* | VCTCXO |
- * Please contact us for Spec. Code.

Packaging (Tape & Reel 15000 pcs./ reel)

Specifications

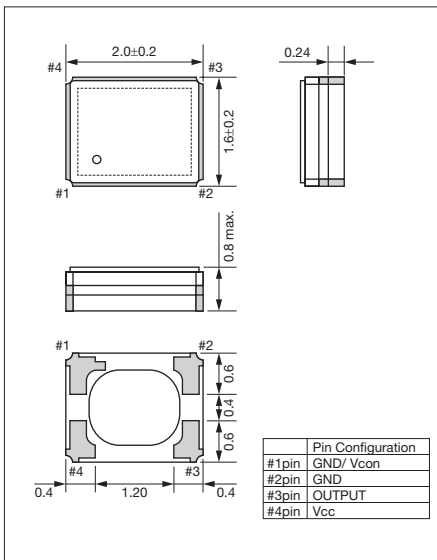
Item	Symbol	Conditions	Min.	Max.	Units
Output Frequency Range	f _o		10	60	MHz
Frequency Tolerance	f _{tol}	vs Temperature	-0.5/ -2	+0.5/ +2	×10 ⁻⁶
		vs Load	-0.2	+0.2	
		vs Voltage	-0.2	+0.2	
Frequency Aging	f _{age}	Per Year	-1	+1	×10 ⁻⁶
Storage Temperature Range	T _{stg}		-40	+85	°C
Operating Temperature Range	T _{use}		-30	+85	°C
Voltage Control Range	f _{cont}	Positive	±8	±15	×10 ⁻⁶
Supply Voltage	V _{CC}		1.68	3.63	V
Output Level	V _{pp}	Clipped Sine*, Load: 10k ohm // 10pF	0.8	-	Vp-p
Current Consumption	I _{CC}		-	2	mA
Harmonics	-		-	-5	dBc

* : A DC-cut capacitor is not embedded in this crystal oscillator. Connect a DC-cut capacitor (≥1nF) to the line-out terminal of the oscillator.

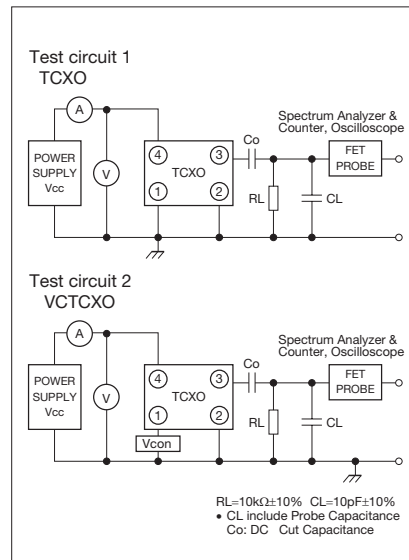
* Please contact us for other specifications.

Dimensions

(Unit: mm)

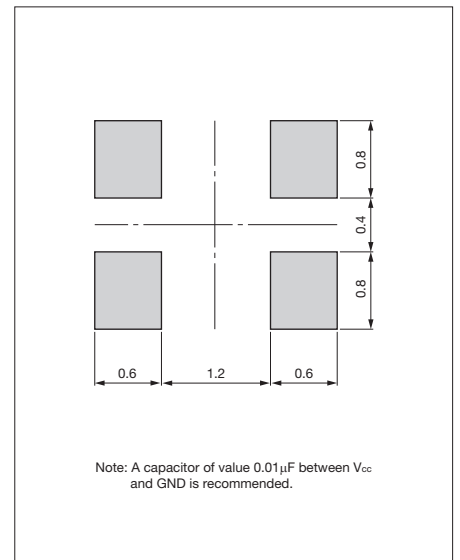


Test Circuit



Recommended Land Pattern

(Unit: mm)



Mouser Electronics

Authorized Distributor

Click to View Pricing, Inventory, Delivery & Lifecycle Information:

Kyocera:

[KT2016A16369AAW18TFG](#) [KT2016A26000ACW18TLG](#) [KT2016A19200ACW18TJG](#) [KT2016K26000BCW18ZAS](#)
[KT2016K38400ACW18TAS](#) [KT2016K26000ACW18TAS](#) [KT2016K26000ACW18TES](#) [KT2016K26000ZAW23ZMS](#)
[KT2016K26000CCW18Z3S](#) [KT2016A26000ECW29T1A](#)