

15

BTOR 1

RCA connectors

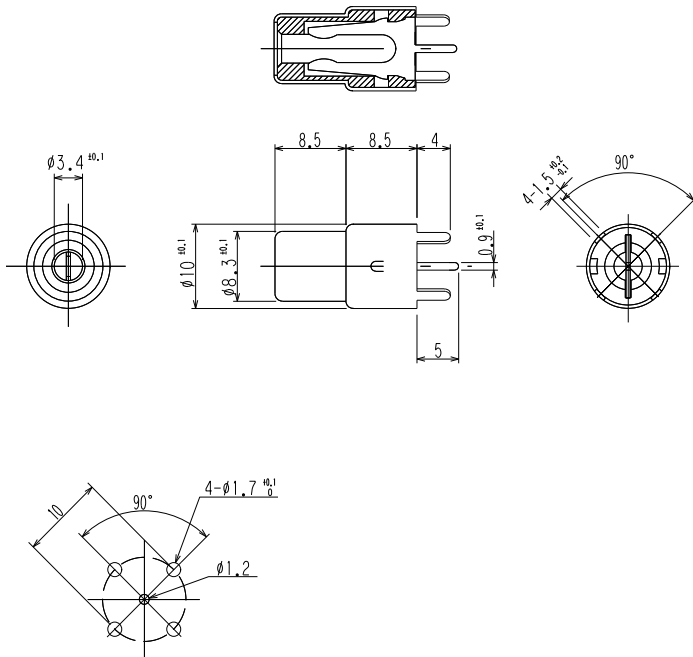


RCA chassis socket acc. to JEITA RC-5231, upright version,
for printed circuit boards

State: Obsolete

15

BTOR 1



*a printed circuit board layout

Environmental conditions

Temperature range -20 °C/+70 °C

Materials

Insulating body PBT GF, V-0 according to UL94
 Inner contact CuZn, pre-copper and tin-plated
 Outer contact CuZn, pre-copper and nickel-plated

Mechanical data

Mating cycles ≥ 5000
 Insertion force ≤ 30 N
 Withdrawal force 3–30 N

Electrical data (at T_{amb} 20 °C)

Contact resistance ≤ 50 m Ω
 Rated current 2 A
 Rated voltage 34 V AC/DC
 Rated impulse voltage 500 V AC/60 s
 Insulation resistance ≥ 100 M Ω

Associated products

Counterparts
 ☑ 1570 01 ☑ 1573 01 V ☑ STO 1
 ☑ STO 2 ☑ XSTO 1

15

BTOR 1

Designation	Pole Number	PU (Pieces)	MDQ (Pieces)
BTOR 1 SCHWARZ (black)	2	200	600

Packaging:
in a tray